



POB27-12D-5B-2 POB27-24D-5B-2

Features

Size:	127 x 126 x 39 mm (5" x 4.96" x 1.54")
Airflow:	27 CFM
Lead Wire:	24AWG (UL1007)
Impeller/Frame:	ABS/PBT Alloy
Motor:	Brushless DC Motor (Auto reset current shut down by detecting locked motor condition)
Bearings	Double Sealed Ball
Safety Approval:	UL, CSA



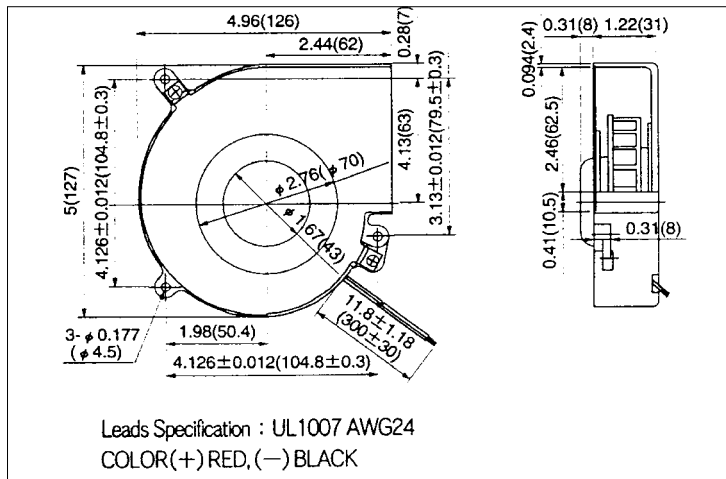
UL E101153



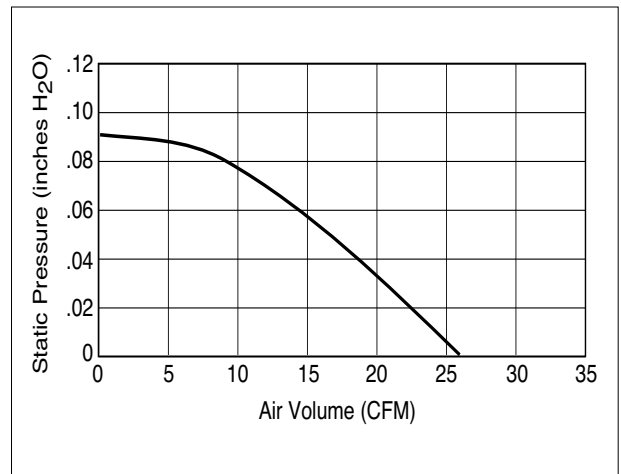
CSA LR62263

• RoHS Compliant

Dimensions – inches mm



Air Flow vs Air Pressure



Performance

Type	Rated Voltage (V)	Applic. Voltage	Max. Air Flow		Max. Static Pressure			Rated				Operating Temp. (°C)	Life Expect. (Hr) @20C±15
			m ³ /min	CFM	mm H ₂ O	H ₂ O	Pa	Speed rpm	Noise dBA	Input W	Current mA		
POB27-12D-5B-2	12	±15	0.75	27	22	0.87	216	2250	47	8	700	-20~ +60	60,000
POB27-24D-5B-2	24	±15	0.75	27	22	0.87	216	2250	47	8	370	-20~ +60	60,000

*Measured 1 m from intake

Product specifications contained herein may be changed without prior notice.

It is therefore advisable to contact Purdy Electronics before proceeding with the design of equipment incorporating this product.