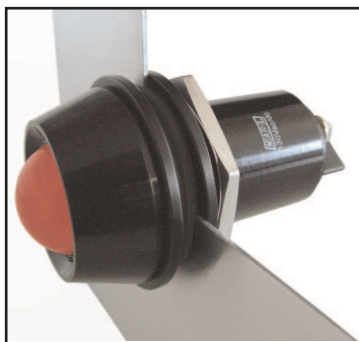


● PROFESSIONAL LED INDICATORS Ø25.4mm Mounting

FEATURES



671 SERIES

PACK QUANTITY = 1 PIECE

- Black anodised aluminium housing
- RIA 12 approved versions available
- Sealed to IP67
- Large LED indication
- AC versions available upon request

SPECIFICATION

Ordering Information & Typical Technical Characteristics (Ta = 25°C)

Mean Time Between Failure = 100,000 Hours. Luminous intensity figures refer to the unmodified discrete LED.

PART NUMBER	COLOUR	LENS	VOLTAGE DC (Vdc) Vopr	CURRENT DC (mA) Iopr	LUMINOUS INTENSITY Iv@20mA (mcd)	WAVE LENGTH λp (nm)	OPERATING TEMP Topr	STORAGE TEMP Tstg		
STANDARD INTENSITY										
671-290-22	Red		Colour Diffused	24	19	30	625	-40 ~ +85 [^]	-40 ~ +85	Yes
671-291-22	Yellow		Colour Diffused	24	19	20	590	-40 ~ +85 [^]	-40 ~ +85	Yes
671-294-22	Blue		Colour Diffused	24	19	19	468	-40 ~ +85 [^]	-40 ~ +85	Yes
671-290-75	Red		Colour Diffused	110vac/dc	19	30	625	-40 ~ +85 [^]	-40 ~ +85	Yes
671-291-75	Yellow		Colour Diffused	110vac/dc	19	20	590	-40 ~ +85 [^]	-40 ~ +85	Yes
671-294-75	Blue		Colour Diffused	110vac/dc	10	19	468	-40 ~ +85 [^]	-40 ~ +85	Yes
HIGH INTENSITY										
671-289-22	Red		Colour Diffused	24	19	400	660	-40 ~ +85 [^]	-40 ~ +85	Yes
671-293-22	Yellow		Colour Diffused	24	19	820	590	-40 ~ +85 [^]	-40 ~ +85	Yes
671-292-22	Green		Colour Diffused	24	19	200	565	-40 ~ +85 [^]	-40 ~ +85	Yes
671-295-22	Cool White		Colour Diffused	24	19	890	*see below	-40 ~ +85 [^]	-40 ~ +85	Yes
671-289-75	Red		Colour Diffused	110vac/dc	10	400	660	-40 ~ +85 [^]	-40 ~ +85	Yes
671-293-75	Yellow		Colour Diffused	110vac/dc	10	820	590	-40 ~ +85 [^]	-40 ~ +85	Yes
671-292-75	Green		Colour Diffused	110vac/dc	10	200	565	-40 ~ +85 [^]	-40 ~ +85	Yes
671-295-75	Cool White		Colour Diffused	110vac/dc	10	890	*see below	-40 ~ +85 [^]	-40 ~ +85	Yes
UNITS			Vdc	mA	mcd	nm	°C	°C		

Other voltages AC/DC available. Please contact our Technical Sales.

[^] = Products must be derated according to the derating information. Each derating graph refers to specific LEDs. Appropriate LED numbers shown - Refer to page 2. The -75 products will operate at 110Vac or 110DC.

295	*Typical emission colour cool white			
x	0.248	0.391	0.380	0.280
y	0.286	0.436	0.381	0.284

Intensities (Iv) and colour shades of white (x,y co-ordinates) may vary between LEDs within a batch.

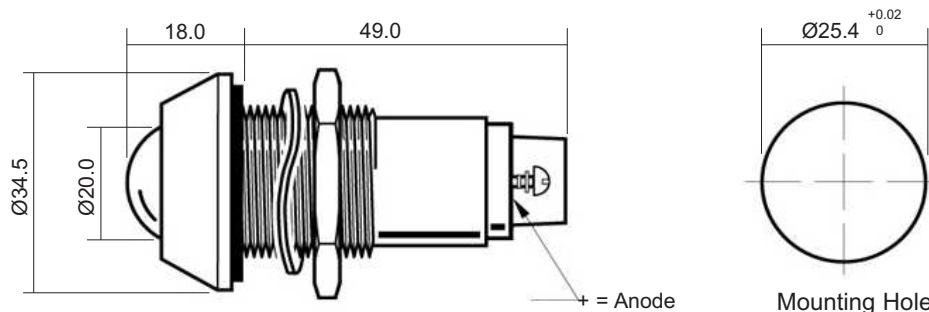
How to Order:

website: www.marl.co.uk • email: sales@marl.co.uk •

• Telephone +44 (0)1229 582430 • Fax: +44 (0)1229 585155

The information contained in this datasheet does not constitute part of any order or contract and should not be regarded as a representation relating to either products or service. Marl International reserve the right to alter without notice the specification or any conditions of supply for products or service.

671 Series



Dimensions in mm (Typical)
Not to scale

Mounting hole to clean and burr free

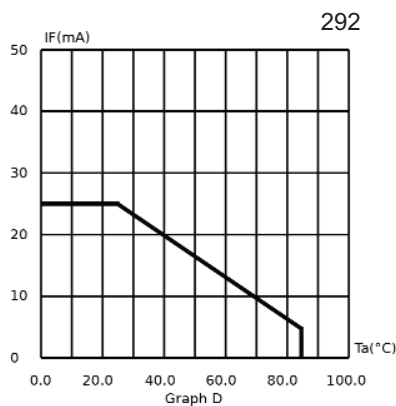
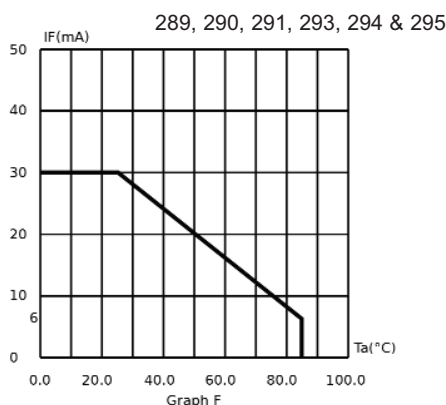
MATERIALS

Body	Black Anodised Aluminium	Lens	Epoxy
Encapsulation	PC5430 Resin	Terminations	Zinc Plated Steel
Header	Nylon 66	Panel Seal	Neoprene
Lock Washer	Spring Steel	Nut	Aluminium

TECHNICAL CHARACTERISTICS

SERIES	MAXIMUM POWER DISSIPATION	PANEL CUTOUT	NUT MOUNTING TORQUE	MINIMUM MOUNTING CENTRES	MIN/MAX. PANEL THICKNESS
671	2500	25.4	1.2	x,y = 41.0	2.0-10.0
UNITS	mw	mm	Nm	mm	mm

DERATING INFORMATION



website: www.marl.co.uk • email: sales@marl.co.uk •

• Telephone +44 (0)1229 582430 • Fax: +44 (0)1229 585155

The information contained in this datasheet does not constitute part of any order or contract and should not be regarded as a representation relating to either products or service. Marl International reserve the right to alter without notice the specification or any conditions of supply for products or service.

ALSO AVAILABLE

Part numbers also available in the 671 Series:

PART NO.	COLOUR	VOLTAGE DC (Vdc) Vopr
671-289-50	Red	125Vdc
671-289-75	Red	110Vac
671-289-76	Red	230Vac
671-289-87-50	Red	130Vac/dc
671-289-98-50	Red	24Vac/dc
671-290-26	Red	230Vdc
671-290-50	Red	125Vdc
671-290-75	Red	110Vac
671-290-76	Red	230Vac
671-291-26	Yellow	230Vdc
671-291-50	Yellow	125Vdc
671-291-75	Yellow	110Vac
671-291-76	Yellow	230Vac
671-291-99	Yellow	110Vac/dc
671-292-50	Green	125Vc
671-292-75	Green	110Vac
671-292-76	Green	230Vac
671-292-87-50	Green	130Vac/dc
671-292-98-50	Green	24Vac/dc
671-293-87-50	Yellow	130Vac/dc
671-294-87-50	Blue	130Vac/dc
671-295-87-50	White	130Vac/dc
671-295-91-50	White	230Vac/dc
UNITS		

The products listed above illustrate all of the options available to order. These products may have custom modifications that alter their operation beyond the generic information contained within this datasheet. Please contact sales for further information.

website: www.marl.co.uk • email: sales@marl.co.uk •

• Telephone +44 (0)1229 582430 • Fax: +44 (0)1229 585155

The information contained in this datasheet does not constitute part of any order or contract and should not be regarded as a representation relating to either products or service. Marl International reserve the right to alter without notice the specification or any conditions of supply for products or service.

