

2" (50.8 mm) Single Turn Wirewound Precision Potentiometer



FEATURES

- Screw, servo and bushing mount types available
- Large range of ohmic values: 5 Ω to 85 kΩ
- Extra taps upon request
- Gangable up to 6 sections on a same shaft



RoHS
COMPLIANT

ELECTRICAL SPECIFICATIONS		
PARAMETER	STANDARD	SPECIAL
Total Resistance: Tolerance 50 Ω and Above Below 50 Ω	5 Ω to 50 kΩ ± 3 % ± 5 %	85 kΩ ± 1 % ± 3 %
Absolute Minimum Resistance	Linearity x total resistance or 0.5 Ω whichever is greater	
End Voltage	Linearity x total applied voltage for total resistance above 20 Ω, 2.0 % of total applied voltage for 20 Ω and below	
Linearity (Independent) 5 Ω to 50 Ω 50 Ω to 200 Ω 200 Ω to 1 kΩ 1 kΩ to 10 kΩ 10 kΩ and Above	STANDARD ± 1.0 % ± 0.50 % ± 0.25 % ± 0.25 % ± 0.25 %	BEST PRACTICAL ± 0.50 % ± 0.35 % ± 0.20 % ± 0.15 % ± 0.10 %
Noise	100 Ω ENR	
Electrical Angle	350° ± 2°	
Power Rating Section 1: 4.0 W Additional Sections	70 °C ambient derated to zero at 125 °C 75 % of the rating of section 1 (3.0 W at 70 °C)	
Insulation Resistance	1000 MΩ minimum 500 V _{DC}	
Dielectric Strength	1000 V _{RMS} , 60 Hz	
Taps (Extra)	21 available as special, standard tolerance ± 1°	
Phasing (CCW End Points)	Additional sections phased to section 1 within ± 1°	

ORDERING INFORMATION/DESCRIPTION				
302	C	1	500	BO1
MODEL	MOUNTING TYPE	NUMBER OF SECTIONS	OHMIC VALUE	PACKAGING
	B: Bushing S: Servo C: Screw	From 1 up to 6 (Max.)	500 Ω	Box of 1 piece
Other characteristics will be standard as described on this data sheet. If special characteristics are required, such as: special linearity tolerance, special resistance tolerance, extra taps, non-linear functions, etc., please state these on your order and allow additional lead time for delivery.				

SAP PART NUMBERING GUIDELINES					
302	S	2	103	202	BO1
MODEL	MOUNTING TYPE	NUMBER OF SECTIONS	OHMIC VALUE	OHMIC VALUE	PACKAGING
	S: Servo		Section N° 1 103 = 10K	Section N° 2 202 = 2K	Box of 1 piece

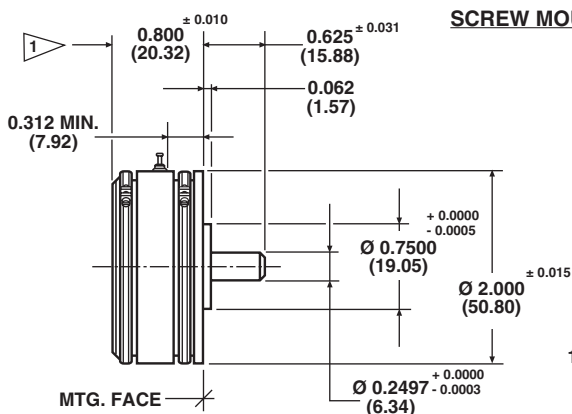
Model 302

Vishay Spectrol

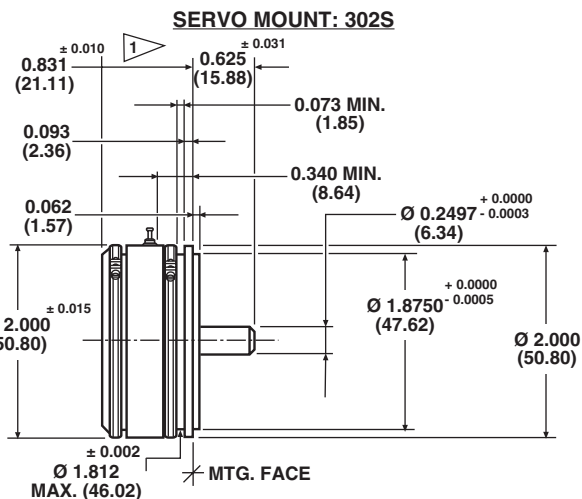
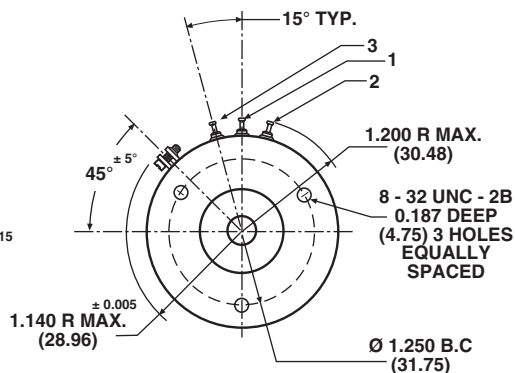
2" (50.8 mm) Single Turn Wirewound
Precision Potentiometer



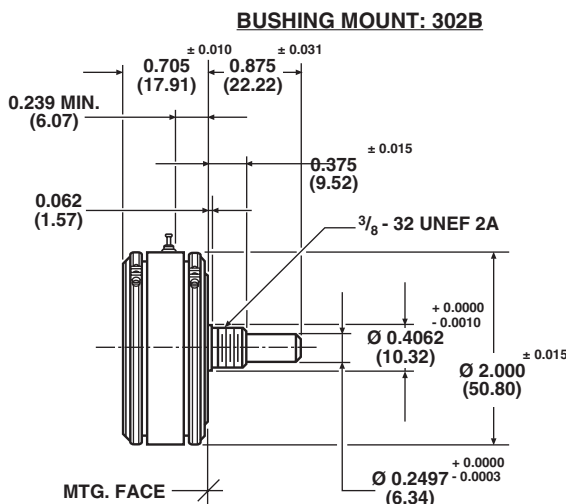
DIMENSIONS in inches (millimeters)



SCREW MOUNT: 302C



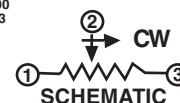
SERVO MOUNT: 302S



BUSHING MOUNT: 302B

1 ADD 0.500 (12.70) FOR EACH ADDITIONAL SECTION

TOLERANCES: UNLESS OTHERWISE NOTED.
DECIMALS ± 0.005 ANGLES ± 2°



MECHANICAL SPECIFICATIONS		
PARAMETER		
Rotation	360° (continuous)	
Bearing Type	Servo and screw mount: Ball Bushing mount: Sleeve	
Ganging	6 sections maximum, terminal alignment, added sections, within ± 10° of section 1 terminals	
Torque (Maximums)	STARTING	RUNNING
Servo and Screw (1 Section)	1.0 oz. - in (72.00 g - cm)	0.5 oz. - in (36.00 g - cm)
Bushing (1 Section)	1.7 oz. - in (122.42 g - cm)	1.0 oz. - in (72.00 g - cm)
Each added Section	0.6 oz. - in (43.21 g - cm)	0.4 oz. - in (28.80 g - cm)
Mechanical Runouts (Maximums)	SERVO AND SCREWING	BUSHING
Shaft TIR/in	0.002" (0.05 cm)	0.002" (0.05 cm)
Pilot dia TIR	0.002" (0.05 cm)	0.002" (0.05 cm)
Lateral TIR	0.003" (0.08 cm)	0.005" (0.13 cm)
Shaft End Play	0.005" (0.13 cm)	0.005" (0.13 cm)
Shaft Radial Play	0.002" (0.05 cm)	0.003" (0.08 cm)
Moment of Inertia	2.0 g - cm ² per section maximum	
Weight (Maximums)		
Single Section:	4.0 oz. (113.40 g)	
Each Additional Section:	1.2 oz. (34.02 g)	



2" (50.8 mm) Single Turn Wirewound Precision Potentiometer

Vishay Spectrol

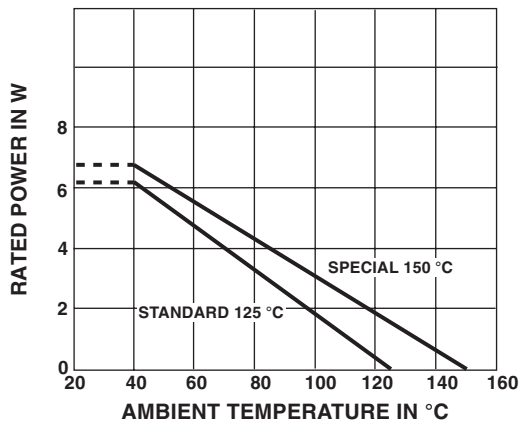
MATERIAL SPECIFICATIONS	
Housing and Lids	Aluminum, anodized
Shaft and Clamp Rings	Stainless steel, non-magnetic non-passivated
Terminals	Brass, plated for solderability
Bushing Mount Hardware Lockwasher Internal Tooth: Panel Nut:	Steel, nickel plated Brass, nickel plated

ENVIRONMENTAL SPECIFICATIONS	
Vibration	15 g thru 2000 Hz
Shock	50 g
Salt Spray	96 h
Rotational Life	1 million shaft revolutions
Temperature Range	- 55 °C to + 125 °C

MARKING	
Unit Identification	Units shall be marked with Vishay Spectrol name, model no and date code, and on each section, resistance, resistance tolerance, linearity and terminal identification

POWER RATING CHART

(Ratings for cup No. 1.
Additional cups 75 % of values shown)



RESISTANCE ELEMENT DATA					
RESISTANCE VALUES (Ω)	RESOLUTION (%)	OHMS PER TURN	MAXIMUM CURRENT AT 40 °C AMBIENT (mA)	MAXIMUM VOLTAGE ACROSS COIL (V)	WIRE TEMP. COEF. (ppm/°C)
5	0.320	0.016	893	4.48	800
10	0.200	0.020	633	6.32	800
20	0.165	0.033	447	8.95	800
50	0.148	0.074	283	14.1	800
100	0.151	0.151	200	20.0	20
200	0.126	0.252	141	28.4	20
500	0.115	0.573	89.4	44.7	20
1K	0.098	0.981	63.3	63.2	20
2K	0.085	1.70	44.7	89.5	20
5K	0.059	2.93	28.3	141	20
10K	0.051	5.16	20.0	200	20
20K	0.043	8.55	14.1	284	20
50K	0.032	15.80	8.94	447	20



Disclaimer

All product specifications and data are subject to change without notice.

Vishay Intertechnology, Inc., its affiliates, agents, and employees, and all persons acting on its or their behalf (collectively, "Vishay"), disclaim any and all liability for any errors, inaccuracies or incompleteness contained herein or in any other disclosure relating to any product.

Vishay disclaims any and all liability arising out of the use or application of any product described herein or of any information provided herein to the maximum extent permitted by law. The product specifications do not expand or otherwise modify Vishay's terms and conditions of purchase, including but not limited to the warranty expressed therein, which apply to these products.

No license, express or implied, by estoppel or otherwise, to any intellectual property rights is granted by this document or by any conduct of Vishay.

The products shown herein are not designed for use in medical, life-saving, or life-sustaining applications unless otherwise expressly indicated. Customers using or selling Vishay products not expressly indicated for use in such applications do so entirely at their own risk and agree to fully indemnify Vishay for any damages arising or resulting from such use or sale. Please contact authorized Vishay personnel to obtain written terms and conditions regarding products designed for such applications.

Product names and markings noted herein may be trademarks of their respective owners.