

Features

- LED driving current up to 350mA
- Compatible with 12V & 24V standard systems
- High efficiency up to 92%
- High switching frequency up to 0.6MHz
- PWM/DC input for dimming control
- Built-in soft-start function
- Built-in output open-circuit protection
- SOP-8L, MSOP-8L and DFN3030-10 are available in "Green" Molding Compound (No Br, Sb)
- Lead Free Finish/RoHS Compliant (Note 1)

General Description

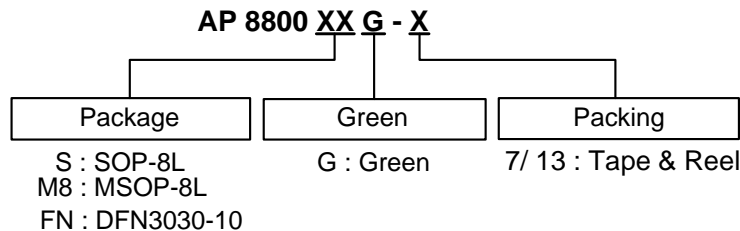
The AP8800 is a step-down DC/DC converter designed to drive LEDs with a constant current. The device can drive up to seven LEDs, depending on the forward voltage of the LEDs, in series from a voltage source of 8V to 28V. Series connection of the LEDs provides identical LED currents resulting in uniform brightness and eliminates the need for ballast resistors. The AP8800 switches at frequency up to 0.6MHz. This allows the use of small size external components, hence minimizing the PCB area needed.




Maximum output current of AP8800 is set via an external resistor connected between the V_{IN} and SET input pins. Dimming is achieved by applying either a DC voltage or a PWM signal at the CTRL input pin. An input voltage of 0.2V or lower at CTRL shuts down the output at SW and puts the device into a low-current standby state.

Applications

- Commercial & Industrial lighting
- Small LCD panel backlight
- Architecture Detail lighting
- Appliances interior lighting

Ordering Information

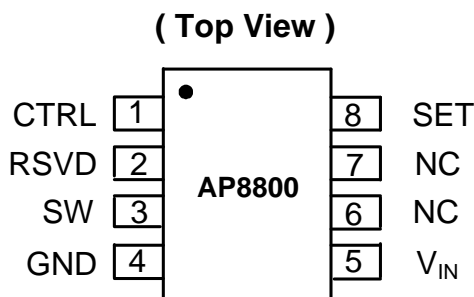


Device	Package Code	Packaging (Note 2)	7"/13" Tape and Reel	
			Quantity	Part Number Suffix
 AP8800SG-13	S	SOP-8L	2500/Tape & Reel	-13
 AP8800M8G-13	M8	MSOP-8L	2500/Tape & Reel	-13
 AP8800FNG-7	FN	DFN3030-10	3000/Tape & Reel	-7

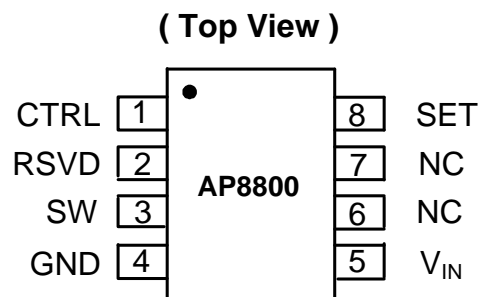
- Notes: 1. EU Directive 2002/95/EC (RoHS). All applicable RoHS exemptions applied. Please visit our website at http://www.diodes.com/products/lead_free.html.
2. Pad layout as shown on Diodes Inc. suggested pad layout document AP02001, which can be found on our website at <http://www.diodes.com/datasheets/ap02001.pdf>.

Pin Assignments

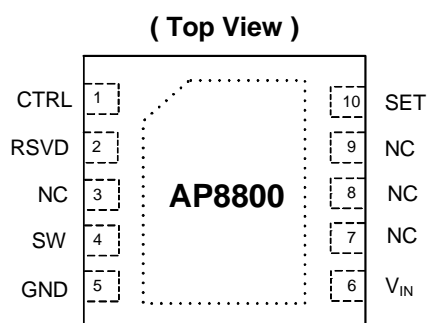
(1) SOP-8L



(2) MSOP-8L



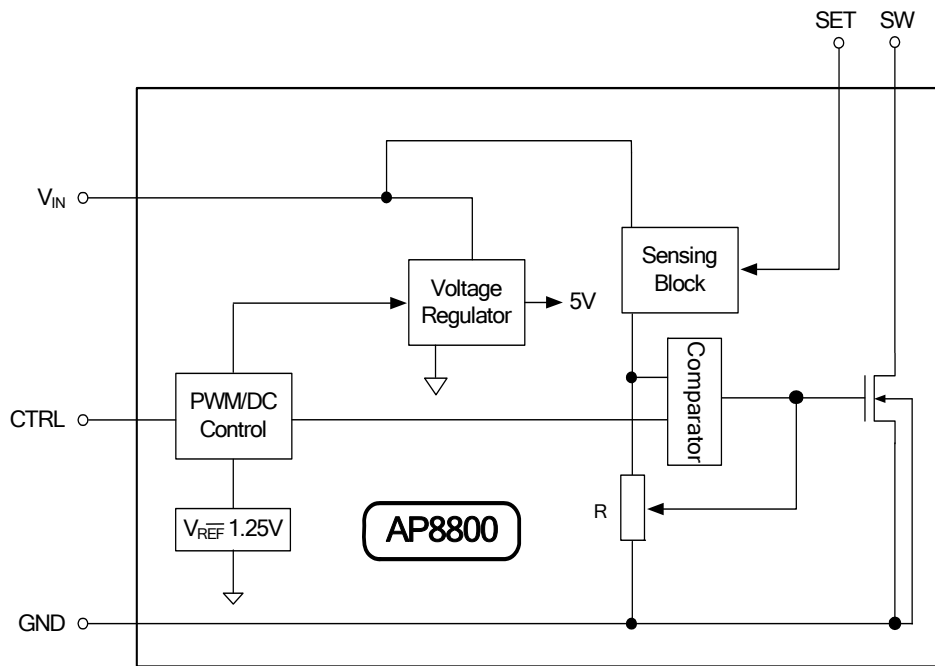
(3) DFN3030-10



Pin Descriptions

Pin Name	Description
SW	Switch Pin. Connect inductor/freewheeling diode here. Minimize trace area at this pin to reduce EMI.
GND	GND pin
SET	Set Nominal Output Current Pin. To configure the output current of the device.
CTRL	Dimming and On/Off Control Input. Input voltage of 0.2V or lower forces the device into low current standby mode and shut off the output. A PWM signal allows the output current to be adjusted above or below the level set by the resistor connected to SET input pin. The input impedance is about 200kΩ, and if the pin is left open $V_{CTRL} = V_{REF}$
V_{IN}	Input Supply Pin. Must be locally bypassed.
RSVD	Reserved. Normally connected to Ground
NC	No Connection.

Block Diagram



Absolute Maximum Ratings

Symbol	Parameter	Rating	Unit
V_{IN}	VIN pin voltage	-0.3~30	V
V_{SW}	SW voltage	-0.3~30	V
T_J	Maximum Junction Temperature	125	°C
T_{LEAD}	Maximum Lead Temperature	300	°C
T_{ST}	Storage Temperature Range	-65 to +125	°C

Caution: The absolute maximum ratings are rated values exceeding which the product could suffer physical damage. These values must therefore not be exceeded under any condition.

Semiconductor devices are ESD sensitive and may be damaged by exposure to ESD events. Suitable ESD precautions should be taken when handling and transporting these devices

Recommended Operating Conditions

Symbol	Parameter	Min	Max	Unit
T_A	Ambient Temperature Range	-40	85	°C

Electrical Characteristics ($V_{IN}=12V, T_A=25^{\circ}C$, unless otherwise specified)

Symbol	Parameter	Conditions	Min	Typ.	Max	Unit
V_{IN}	Operating Input Voltage		8.0	-	28	V
I_{OUT}	Continuous switch Current	(Note 3)	-	-	350	mA
I_Q	Quiescent Current		-	20	30	μA
F_{OSC}	Switching Frequency		-	0.25	-	MHz
V_{THD}	Internal Threshold Voltage		92	100	108	mV
V_{REF}	Internal Reference Voltage		-	1.25	-	V
SET	SET pin input current	$V_{SET}=V_{IN}-0.1$	-	1.3	-	μA
$R_{ds(on)}$	On Resistance of MOSFET			1.7	2.2	Ω
$I_{SW Leakage}$	Switch leakage current		-	-	5	μA
EN	Voltage High	ON	1.25	-	-	V
EN	Voltage Low	OFF	-	-	0.2	V
θ_{JA}	Thermal Resistance Junction-to-Ambient	SOP-8L (Note 4)	-	92	-	$^{\circ}C/W$
		MSOP-8L (Note 4)	-	120	-	$^{\circ}C/W$
		DFN3030-10 (Note 4)	-	46	-	$^{\circ}C/W$
θ_{JC}	Thermal Resistance Junction-to-Case	SOP-8L (Note 4)	-	60	-	$^{\circ}C/W$
		MSOP-8L (Note 4)	-	98	-	$^{\circ}C/W$
		DFN3030-10 (Note 4)	-	32	-	$^{\circ}C/W$

Notes: 3. Refer to figure 4 for the device derating curve.
 4. Test condition for SOP-8L, MSOP-8L and DFN3030-10: Device mounted on FR-4 PCB, 2"x2", 2oz copper, minimum recommended pad layout on top layer and thermal vias to bottom layer ground plane. For better thermal performance, larger copper pad for heat-sink is needed.

Typical Application Circuit

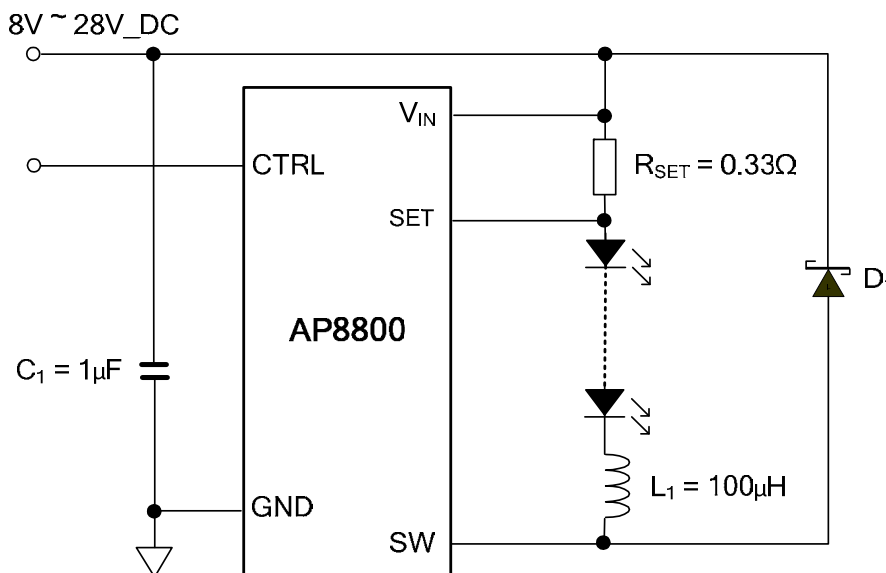


Figure 1: Typical Application Circuit

Application Information

LED Current Control

The LED current is controlled by the resistor RSET in Figure 1.

If the CTRL pin is floating and at a nominal voltage of VREF, the external current sense resistor RSET (greater than 0.3 Ω) is connected between VIN and SET and defines the nominal average output current in the LED(s) as:

$$I_{LED} = \frac{V_{THD}}{R_{SET}}$$

If the CTRL pin is driven by an external voltage (lower than 2.5V), the average LED current in this case is:

$$I_{LED} = \frac{V_{CTRL}}{V_{REF}} \frac{V_{THD}}{R_{SET}}$$

The graph in figure 2 gives values of nominal average output current for several values of current setting resistor (RSET) in the typical application circuit shown on Figure 1, for different voltages applied on the CTRL pin.

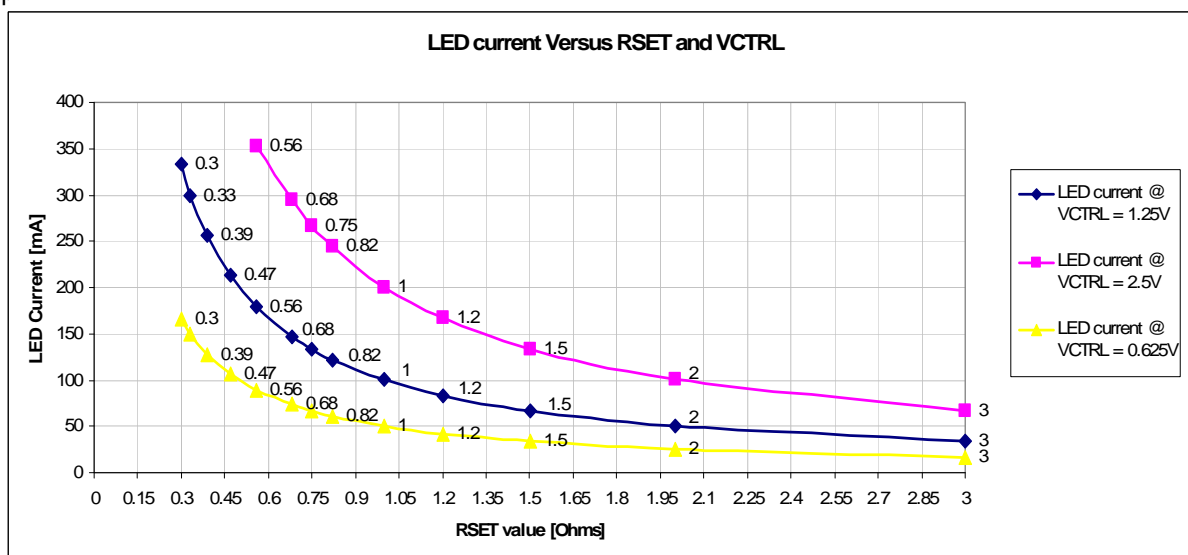


Figure 2: LED Current setting Vs RSET and VCTRL

Application Information (Continued)

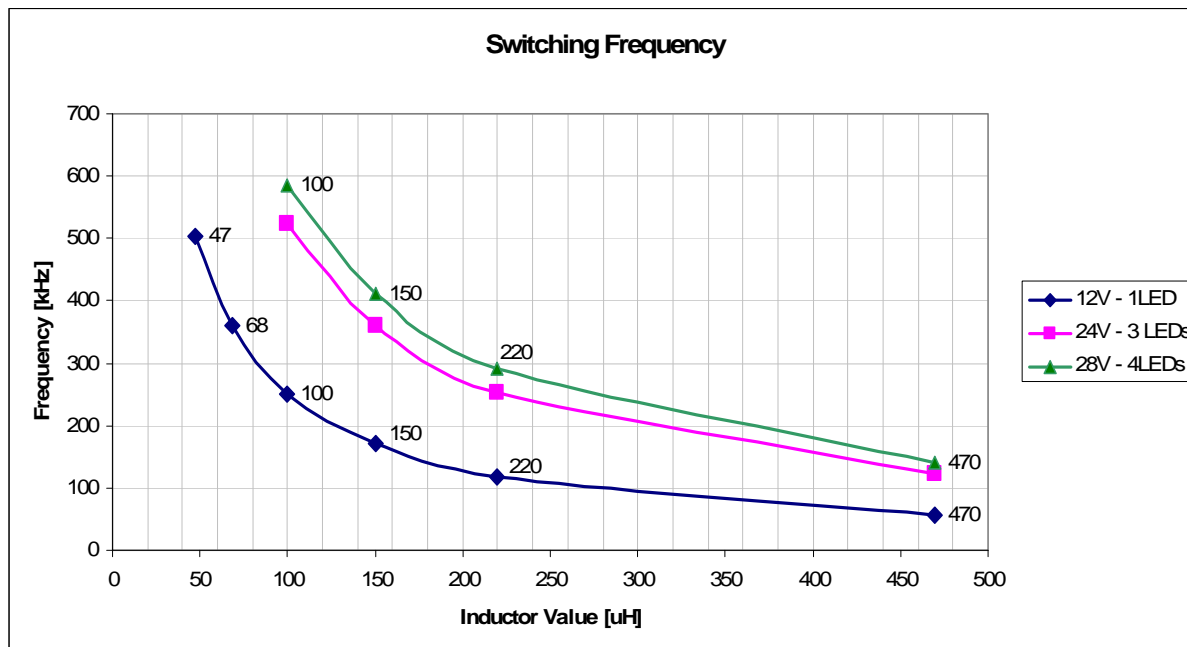


Figure 3: Switching Frequency Vs Supply voltage, Inductor, and number of LEDs

Capacitor Selection

The small size of ceramic capacitors makes them ideal for AP8800 applications. X5R and X7R types are recommended because they retain their capacitance over wider voltage and temperature ranges than other types such as Z5U. A 1µF input capacitor is sufficient for most intended applications of AP8800.

Diode Selection

Schottky diode, e.g. B140, with their low forward voltage drop and fast reverse recovery, is the ideal choice for AP8800 applications.

PWM Dimming

A Pulse Width Modulated (PWM) signal with a max resolution of 8bit can be applied to the CTRL pin to regulate the output current to a value above or below the nominal average value set by resistor RSET.

Miscellaneous

To ensure optimal performance, RSVD pin should be connected to the GND pin with the shortest trace length.

Application Information (Continued)

Inductor Selection

A 100 μ H inductor is recommended for most AP8800 applications with input voltage at 24V. Figure 4 displays the resulting switching frequency varying the main circuit parameters: Supply voltage, Inductor value and number of LEDs to be driven.

Thermal Considerations

The graph below in figure 4, gives details for power derating. This assumes the device to be mounted on a 25x25mm PCB with 1oz copper standing in still air.

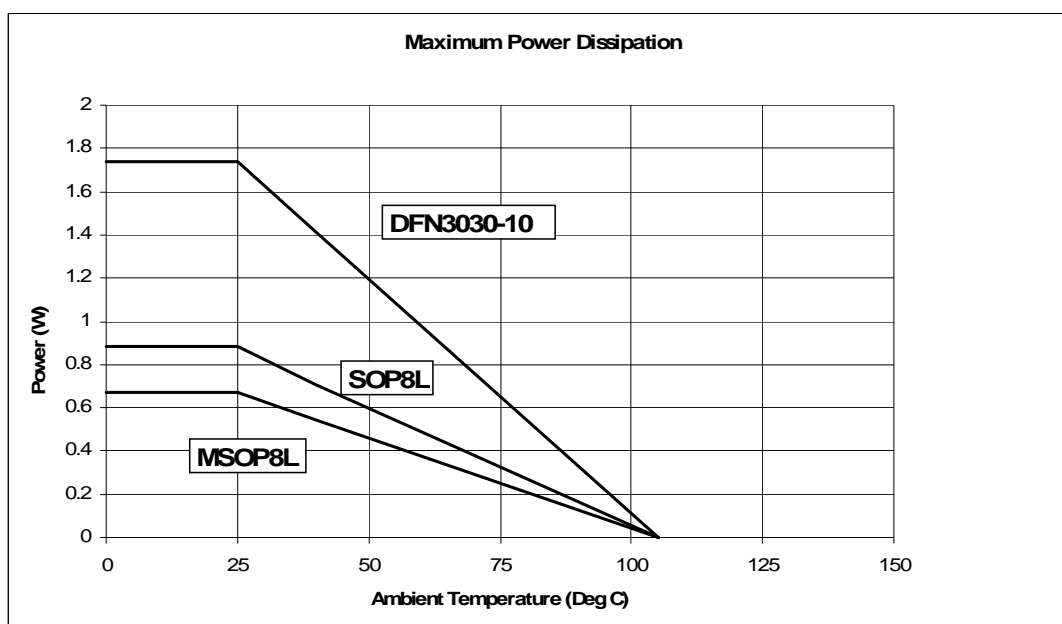
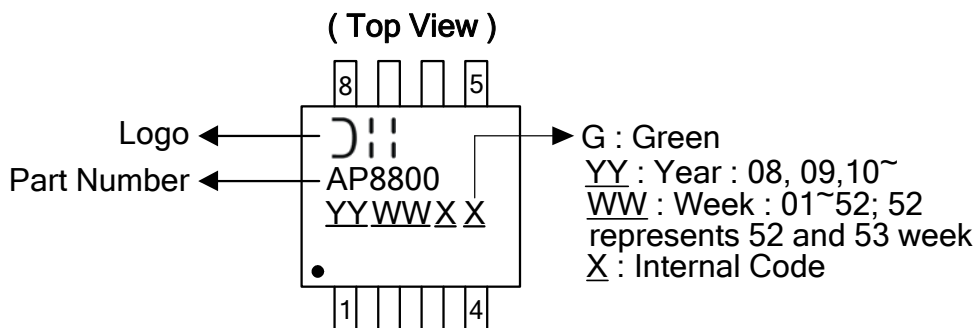


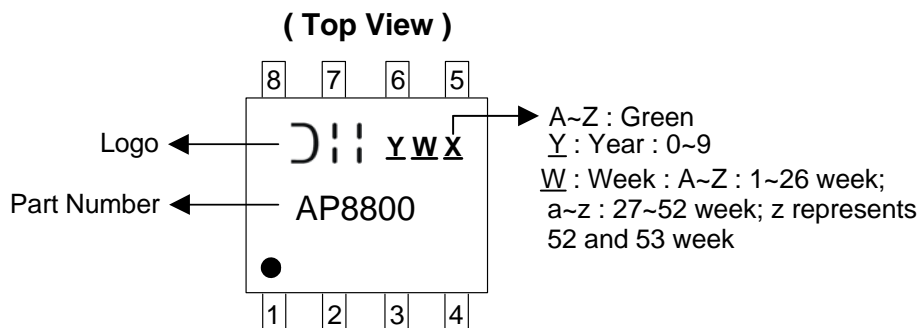
Figure 4: Derating curve

Marking Information

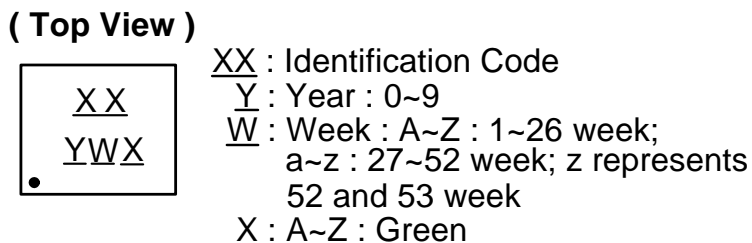
(1) SOP-8L



(2) MSOP-8L



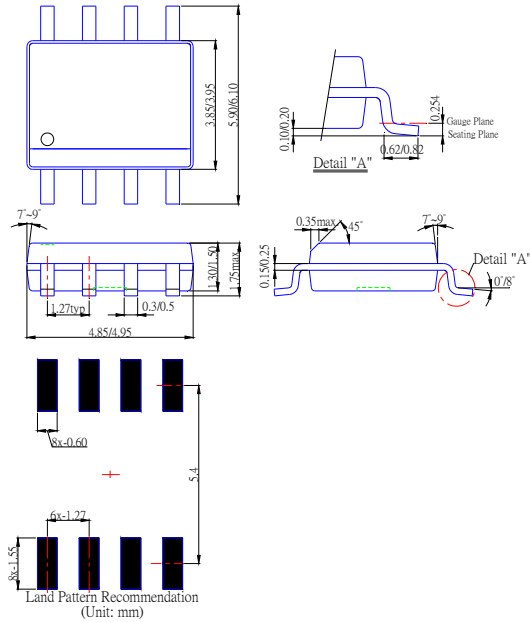
(3) DFN3030-10



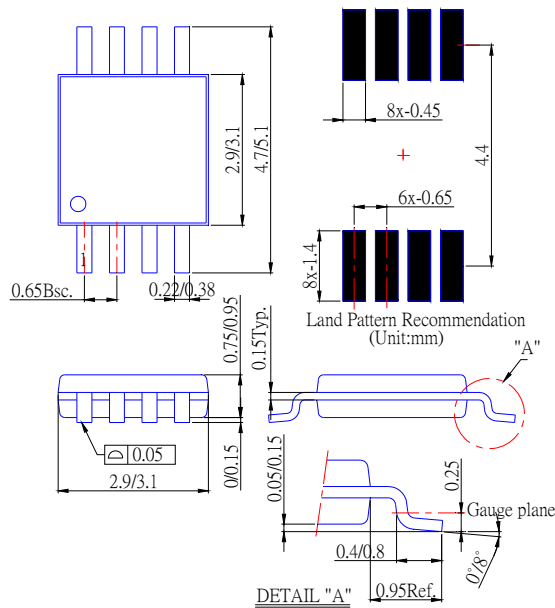
Part Number	Package	Identification Code
AP8800FNG-7	DFN3030-10	A4

Package Information (All Dimensions in mm)

(1) Package Type: SOP-8L

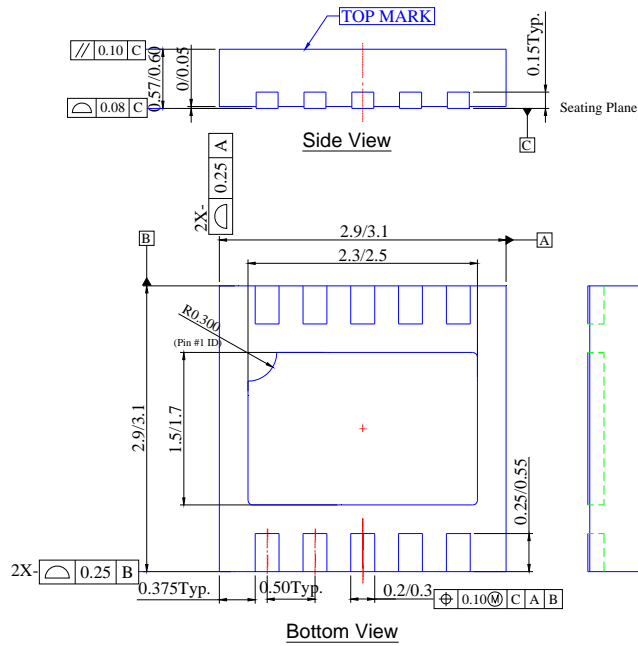


(2) Package Type: MSOP-8L



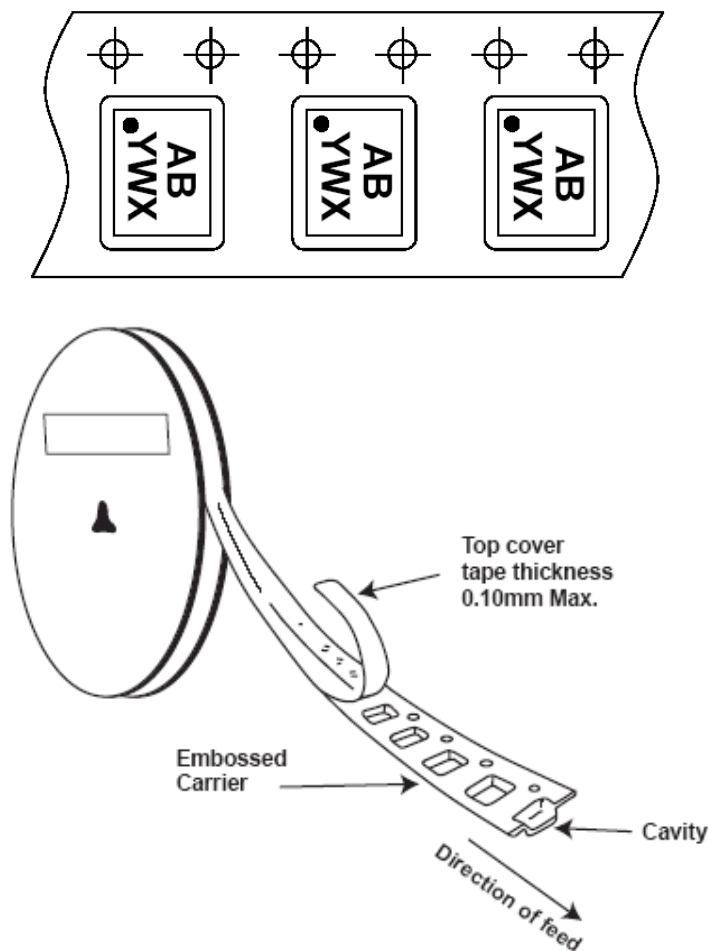
Package Information (Continued)

(3) Package Type: DFN3030-10



Taping Orientation

For DFN3030-10



Notes: 5. The taping orientation of the other package type can be found on our website at <http://www.diodes.com/datasheets/ap02007.pdf>.

IMPORTANT NOTICE

Diodes Incorporated and its subsidiaries reserve the right to make modifications, enhancements, improvements, corrections or other changes without further notice to any product herein. Diodes Incorporated does not assume any liability arising out of the application or use of any product described herein; neither does it convey any license under its patent rights, nor the rights of others. The user of products in such applications shall assume all risks of such use and will agree to hold Diodes Incorporated and all the companies whose products are represented on our website, harmless against all damages.

LIFE SUPPORT

Diodes Incorporated products are not authorized for use as critical components in life support devices or systems without the expressed written approval of the President of Diodes Incorporated.