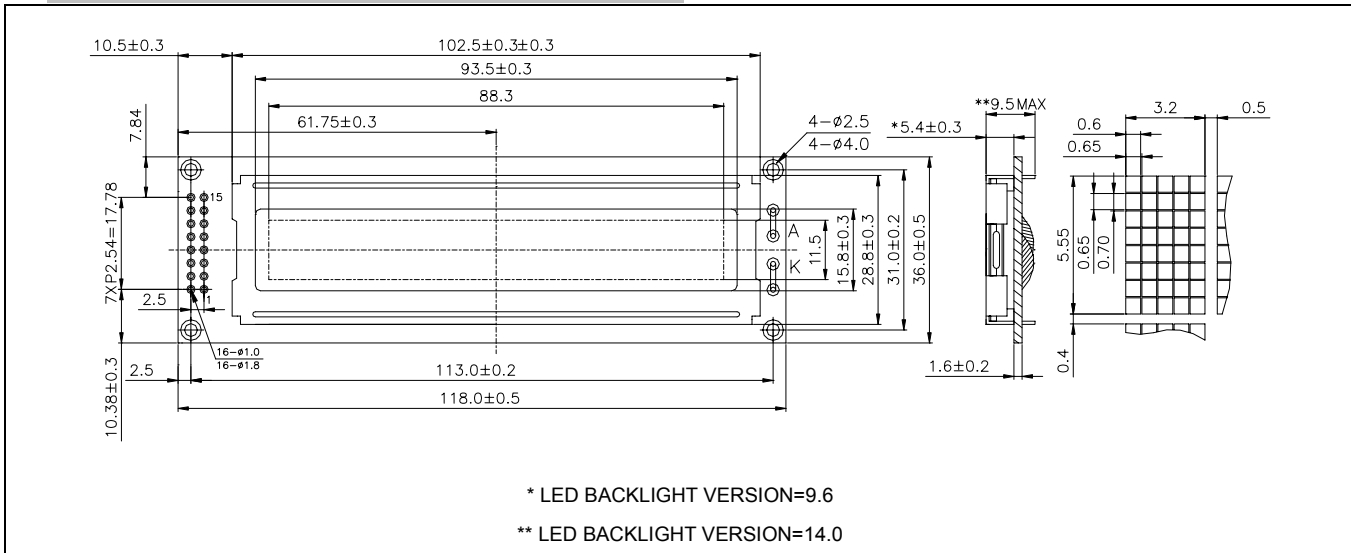


# HY242XX01

24 CHAR X 2 LINE

## 1. EXTERNAL DIMENSION AND DISPLAY PATTERN



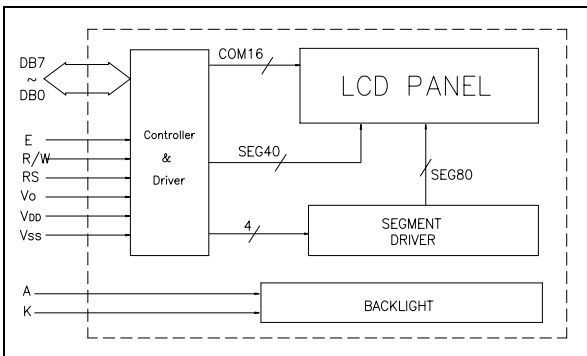
## 2. MECHANICAL DATA

ITEM	SPECIFICATION	UNIT
Module Size (W×H×T)	118.0×36.0×9.5 (LED:14.0)	mm
Viewing Area (W×H)	93.5×15.8	mm
Character Font (W×H)	5×7 with Cursor	dots
Character Size (W×H)	3.2×5.55	mm
Character Pitch (W×H)	3.7×5.95	mm
Dot Size (W×H)	0.6×0.65	mm

## 3. PIN CONFIGURATION

PIN	SYMBOL	SIGNAL DESCRIPTION
1	V <sub>SS</sub>	GND (0V)
2	V <sub>DD</sub>	Power Supply
3	V <sub>o</sub>	Supply Voltage LCD Driving
4	RS	Register Select Low = Instruction, High = Data
5	R/W	Read/Write Low = MPU to LCM, High = LCM to MPU
6	E	Enable R/W= Low : Data are talking over at falling edge R/W=High : Data can be read at E=1
7 ~ 14	DB <sub>0</sub> to DB <sub>7</sub>	Data Bus-Software Selectable 4 or 8bit Mode
15	A	Anode of LED Unit
16	K	Cathode of LED Unit

## 4. BLOCK DIAGRAM



## 5. ABSOLUTE MAXIMUM RATINGS

PARAMETER	SYMBOL	MIN.	MAX.	UNIT
Supply Voltage (Logic)	V <sub>DD</sub> - V <sub>SS</sub>	-0.3	7.0	V
Supply Voltage (Driver)	V <sub>o</sub>	V <sub>DD</sub> - 12	V <sub>DD</sub> + 0.3	V
Input Voltage	V <sub>IN</sub>	-0.3	V <sub>DD</sub> + 0.3	V

## 6. ELECTRICAL CHARACTERISTICS (Ta=25°C)

ITEM	SYMBOL	CONDITION	SPEC. VALUE			UNIT
			MIN.	TYP.	MAX.	
Supply Voltage (Logic)	V <sub>DD</sub> - V <sub>SS</sub>		4.5	5.0	5.5	V
Supply Current (Logic)	I <sub>DD</sub>	V <sub>DD</sub> =5V	-	0.8	2.0	mA
Input Voltage	"HIGH"	V <sub>IH</sub>	-	2.2	-	V <sub>DD</sub>
	"LOW"	V <sub>IL</sub>	-	-0.3	-	0.6
Output Voltage	"HIGH"	V <sub>OH</sub>	-I <sub>OH</sub> =0.2mA	2.4	-	-
	"LOW"	V <sub>OL</sub>	I <sub>OL</sub> =1.2mA	-	-	0.4
LCD Operating Voltage	V <sub>DD</sub> - V <sub>o</sub>	V <sub>DD</sub> =5V, Ta=25°C	4.2	4.4 (7.8)	4.6	V
Supply Voltage LCD Drive	V <sub>o</sub>		-	1.0	1.5	mA

Note : ( ) Value is high Reliability type

## 7. BACKLIGHTING CHARACTERISTICS (Ta=25°C)

### LED

ITEM	SYMBOL	CONDITION	MIN.	TYP.	MAX.	UNIT
Supply Voltage	V <sub>LED</sub>	-	-	4.2	4.6	V
Power Consumption	P <sub>LED</sub>	I <sub>F</sub> =150mA	-	630	-	mW
Luminous	I <sub>V</sub>	I <sub>F</sub> =150mA	-	185	-	cd/m <sup>2</sup>