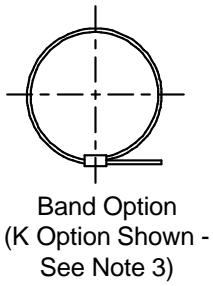
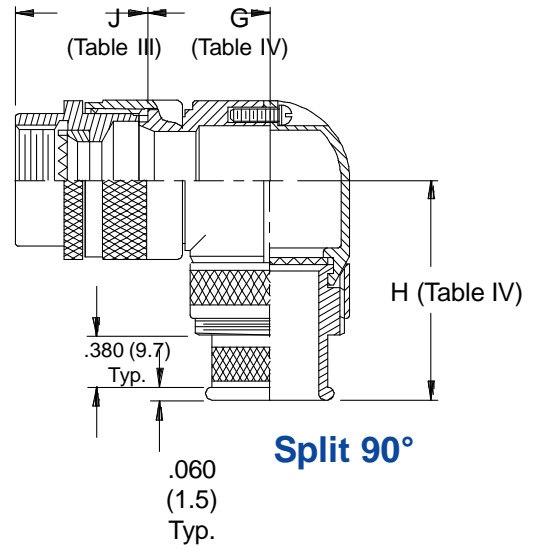
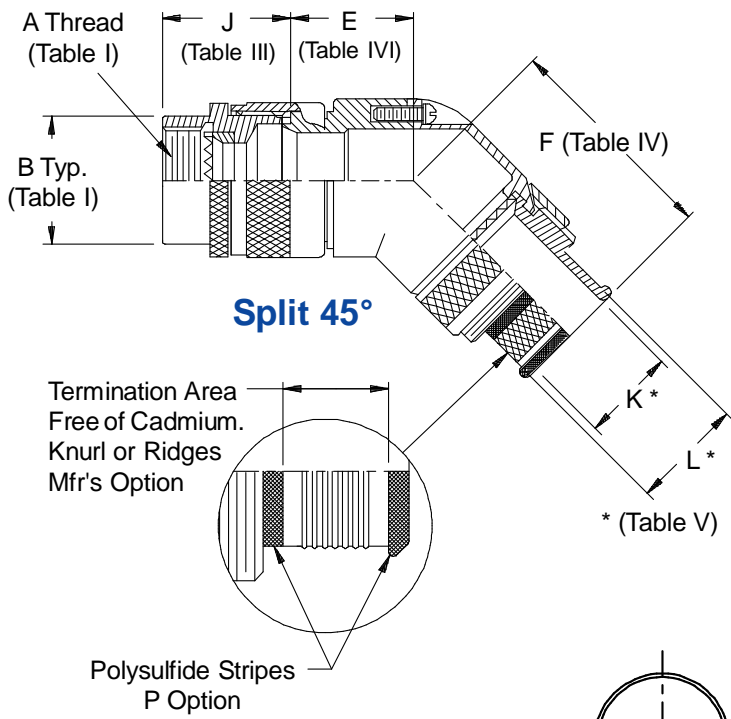
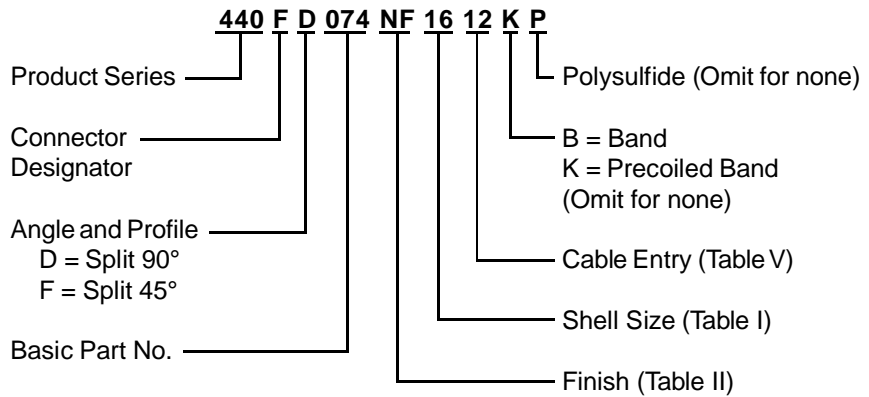


CONNECTOR DESIGNATORS
A-B*-C-D-E-F
G-H-J-K-L-S
* Conn. Desig. B See Note 2
DIRECT COUPLING



See inside back cover fold-out or pages 13 and 14 for Tables I and II.

TABLE III: FRONT ADAPTER

Shell Size	J Max - Conn. Designator		
	A-E-F		
	J-H-L-S	D-B-G-K	C
08/09	1.180 (30.0)	1.250 (31.8)	
10/11	1.180 (30.0)	1.250 (31.8)	
12/13	1.180 (30.0)	1.250 (31.8)	1.735 (44.1)
14/15	1.180 (30.0)	1.250 (31.8)	1.915 (48.6)
16/17	1.380 (35.0)	1.560 (39.6)	1.915 (48.6)
18/19	1.380 (35.0)	1.560 (39.6)	1.915 (48.6)
20/21	1.380 (35.0)	1.560 (39.6)	1.915 (48.6)
22/23	1.380 (35.0)	1.560 (39.6)	1.915 (48.6)
24/25	1.380 (35.0)	1.560 (39.6)	1.915 (48.6)
28/29	1.610 (40.9)	1.560 (39.6)	1.915 (48.6)
32/33	1.610 (40.9)	1.750 (44.5)	1.915 (48.6)
36	1.610 (40.9)	1.750 (44.5)	1.915 (48.6)
40	1.610 (40.9)	2.190 (55.6)	1.915 (48.6)

TABLE IV: ELBOW DIMENSIONS

Elbow Size	E Max	F Max	G Max	H Max
02	.440 (11.2)	1.590 (40.4)	.680 (17.3)	1.530 (38.9)
03	.440 (11.2)	1.590 (40.4)	.680 (17.3)	1.530 (38.9)
04	.440 (11.2)	1.590 (40.4)	.680 (17.3)	1.530 (38.9)
05	.500 (12.7)	1.650 (41.9)	.750 (19.1)	1.590 (40.4)
06	.500 (12.7)	1.650 (41.9)	.750 (19.1)	1.590 (40.4)
07	.560 (14.2)	1.720 (43.7)	.810 (20.6)	1.660 (42.2)
08	.560 (14.2)	1.720 (43.7)	.810 (20.6)	1.660 (42.2)
09	.620 (15.7)	1.750 (44.5)	.870 (22.1)	1.690 (42.9)
10	.680 (17.3)	1.850 (47.0)	.930 (23.6)	1.790 (45.5)
11	.680 (17.3)	1.850 (47.0)	.930 (23.6)	1.790 (45.5)
12	.750 (19.1)	1.910 (48.5)	1.000 (25.4)	1.850 (47.0)
13	.820 (20.8)	1.970 (50.0)	1.060 (26.9)	1.910 (48.5)
14	.820 (20.8)	1.970 (50.0)	1.060 (26.9)	1.910 (48.5)
15	.880 (22.4)	2.030 (51.6)	1.120 (28.4)	1.970 (50.0)
16	.880 (22.4)	2.030 (51.6)	1.120 (28.4)	1.970 (50.0)

TABLE V: CABLE ENTRY

Dash No.	K Dia	L Dia
02	.125 (3.2)	.250 (6.4)
03	.188 (4.8)	.312 (7.9)
04	.250 (6.4)	.375 (9.5)
05	.312 (7.9)	.438 (11.1)
06	.375 (9.5)	.500 (12.7)
07	.438 (11.1)	.562 (14.3)
08	.500 (12.7)	.625 (15.9)
09	.562 (14.3)	.688 (17.5)
10	.625 (15.9)	.750 (19.1)
11	.688 (17.5)	.812 (20.6)
12	.750 (19.1)	.875 (22.2)
13	.812 (20.6)	.938 (23.8)
14	.875 (22.2)	1.000 (25.4)
15	.938 (23.8)	1.062 (27.0)
16	1.000 (25.4)	1.125 (28.6)
17	1.062 (27.0)	1.188 (30.2)
18	1.125 (28.6)	1.250 (31.8)
20	1.250 (31.8)	1.375 (34.9)
22	1.375 (34.9)	1.500 (38.1)
24	1.500 (38.1)	1.625 (41.3)

1. Metric dimensions (mm) are indicated in parentheses.
2. When using Connector Designator B refer to pages 18 and 19 for part number development.
3. Backshells supplied with 600-052-* band, see Glenair Series 600 Tool Catalog for installation.