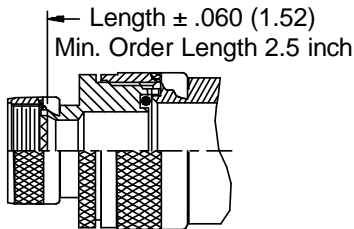
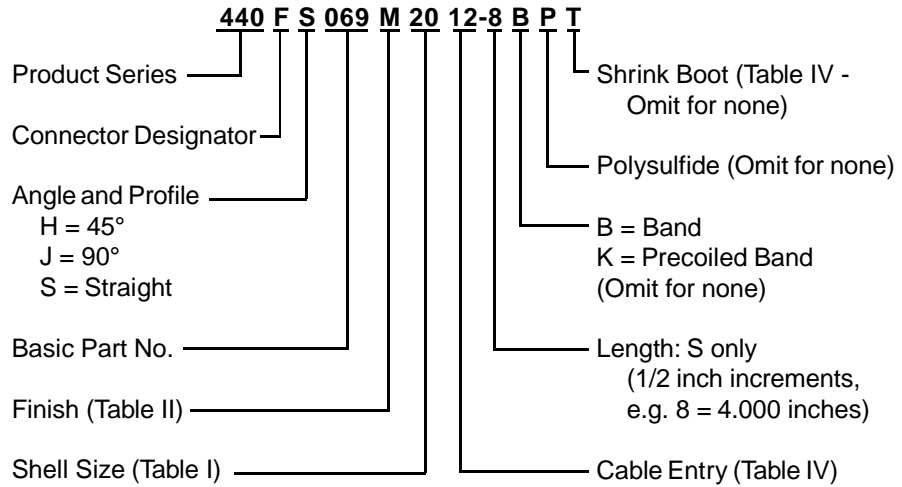
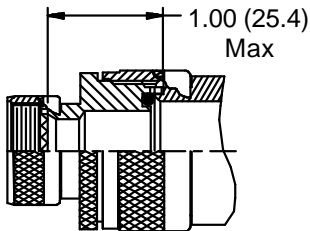
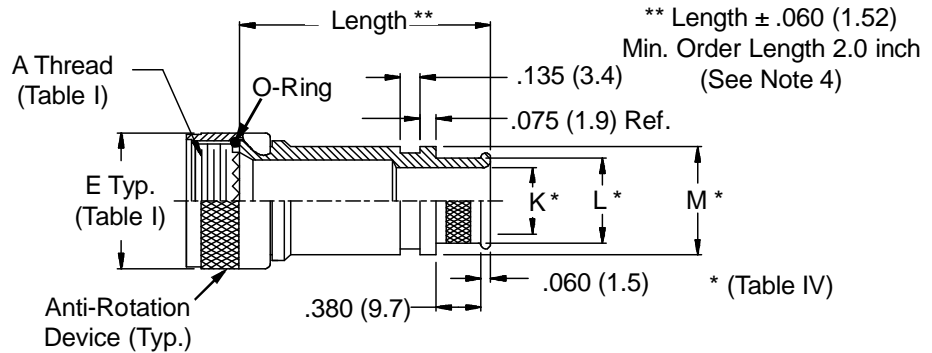


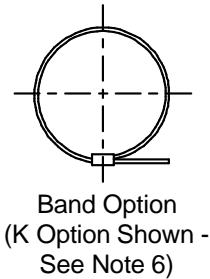
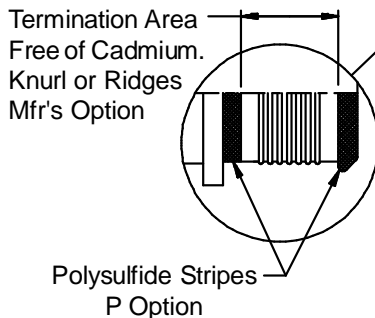
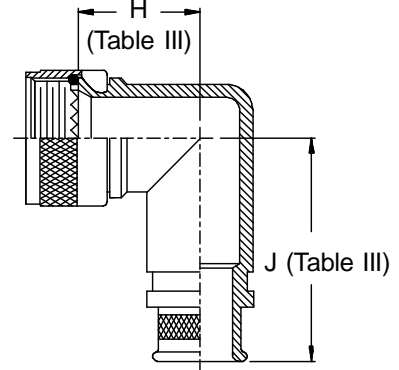
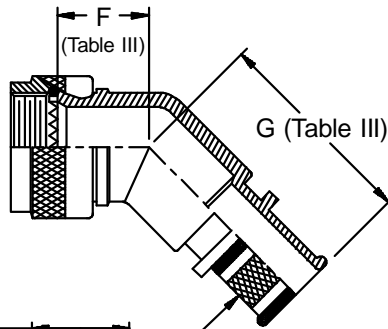
**CONNECTOR
 DESIGNATORS
 A-F-H-L
 SELF-LOCKING
 ROTATABLE
 COUPLING**



**STYLE 2
 (STRAIGHT
 See Note 1)**



**STYLE 2
 (45° & 90°
 See Note 1)**



See inside back cover fold-out or pages 13 and 14 for Tables I and II.

Shell Size		F		G		H		J	
Conn. Desig.	H	Max		Max		Max		Max	
A-F-L									
08	09	.806	(20.5)	1.038	(26.4)	.906	(23.0)	1.146	(29.1)
10	11	.832	(21.1)	1.064	(27.0)	.966	(24.5)	1.210	(30.7)
12	13	.856	(21.7)	1.088	(27.6)	1.026	(26.1)	1.268	(32.2)
14	15	.882	(22.4)	1.114	(28.3)	1.076	(27.3)	1.330	(33.8)
16	17	.908	(23.1)	1.150	(29.2)	1.136	(28.9)	1.392	(35.4)
18	19	.927	(23.5)	1.190	(30.2)	1.176	(29.9)	1.438	(36.5)
20	21	.953	(24.2)	1.250	(31.8)	1.236	(31.4)	1.500	(38.1)
22	23	.979	(24.9)	1.320	(33.5)	1.296	(32.9)	1.562	(39.7)
24	25	1.004	(25.5)	1.380	(35.1)	1.356	(34.4)	1.625	(41.3)
28		1.197	(30.4)	1.500	(38.1)	1.422	(36.1)	1.654	(42.0)
32		1.280	(32.5)	1.620	(41.1)	1.545	(39.2)	1.777	(45.1)
36		1.294	(32.9)	1.750	(44.5)	1.652	(42.0)	1.844	(46.8)
40		1.320	(33.5)	1.870	(47.5)	1.960	(49.8)	2.070	(52.6)

Dash No.	K	L	M	Shrink Boot *
01	.125 (3.2)	.250 (6.4)	.312 (7.9)	n/a
31	.188 (4.8)	.312 (7.9)	.374 (9.5)	202K121-25-0
02	.250 (6.4)	.375 (9.5)	.437 (11.1)	202K121-25-0
32	.312 (7.9)	.438 (11.1)	.500 (12.7)	202K121-25-0
03	.375 (9.5)	.500 (12.7)	.562 (14.3)	202K121-25-0
33	.438 (11.1)	.562 (14.3)	.624 (15.8)	202K132-25-0
04	.500 (12.7)	.625 (15.9)	.687 (17.4)	202K132-25-0
34	.562 (14.3)	.688 (17.5)	.750 (19.1)	202K132-25-0
05	.625 (15.9)	.750 (19.1)	.812 (20.6)	202K132-25-0
35	.688 (17.5)	.812 (20.6)	.874 (22.2)	202K142-25-0
06	.750 (19.1)	.875 (22.2)	.937 (23.8)	202K142-25-0
36	.812 (20.6)	.938 (23.8)	1.000 (25.4)	202K153-25-0
07	.875 (22.2)	1.000 (25.4)	1.062 (27.0)	202K153-25-0
37	.938 (23.8)	1.062 (27.0)	1.124 (28.5)	202K153-25-0
08	1.000 (25.4)	1.125 (28.6)	1.187 (30.1)	202K153-25-0
38	1.062 (27.0)	1.188 (30.2)	1.250 (31.8)	202K163-25-0
09	1.125 (28.6)	1.250 (31.8)	1.312 (33.3)	202K163-25-0
10	1.250 (31.8)	1.375 (34.9)	1.437 (36.5)	202K163-25-0
11	1.375 (34.9)	1.500 (38.1)	1.562 (39.7)	202K174-25-0
12	1.500 (38.1)	1.625 (41.3)	1.687 (42.8)	202K174-25-0
13	1.625 (41.3)	1.750 (44.5)	1.812 (46.0)	202K174-25-0
14	1.750 (44.5)	1.875 (47.6)	1.937 (49.2)	202K185-25-0
15	1.875 (47.6)	2.000 (50.8)	2.062 (52.4)	202K185-25-0
16	2.000 (50.8)	2.125 (54.0)	2.187 (55.5)	202K185-25-0

* Raychem Shrink Boot Supplied with "T" Option
(see Part Number Development)

1. When maximum cable entry (page 21) is exceeded, Style 2 will be supplied. Dimensions F, G, H and J will not apply. Please consult factory.
2. Metric dimensions (mm) are indicated in parentheses.
3. Interface O-Ring not supplied with Connector Designator A.
4. Consult factory for shorter lengths on straight backshells.
5. See page 40 for Shrink Boot Reference Information.
6. Backshells supplied with 600-052-* band, see Glenair Series 600 Tool Catalog for installation.