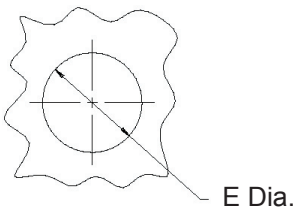
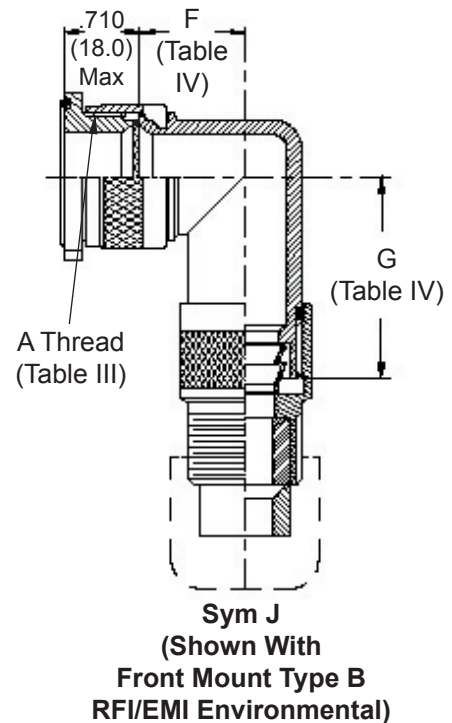
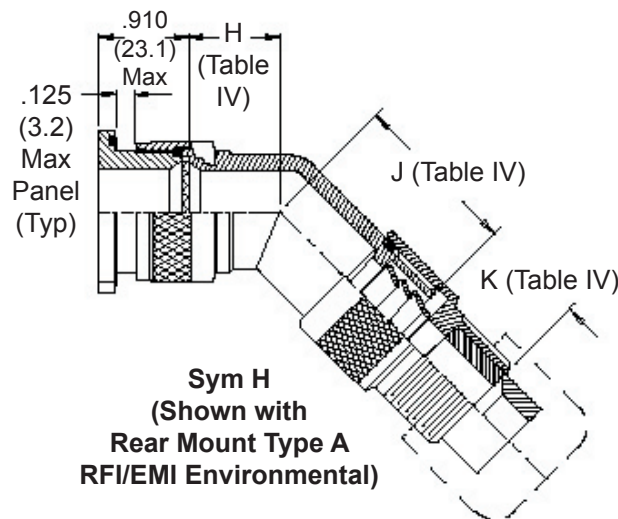
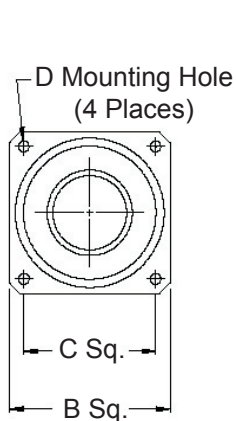
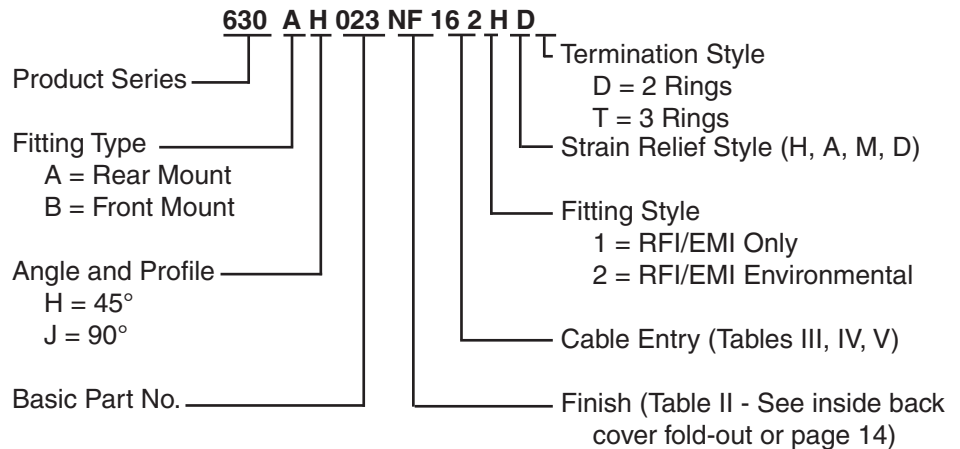


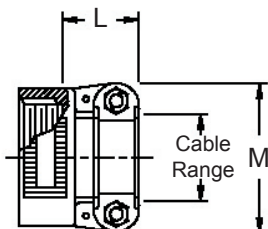
Individual, Single and/or Dual Shield Termination

1. Metric dimensions (mm) are indicated in parentheses.
2. Cable range is defined as the accommodations range for the wire bundle or cable. Dimensions shown are not intended for inspection criteria.

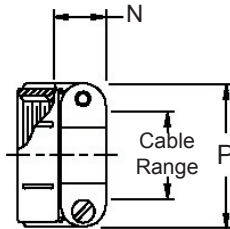


Panel Cut-Out

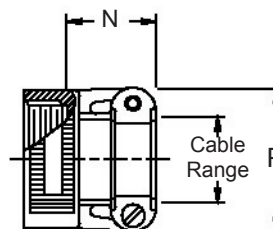
STYLE H
Heavy Duty
(Table V)



STYLE A
Medium Duty
(Table V)



STYLE M
Medium Duty
(Table V)



STYLE D
Medium Duty
(Table V)

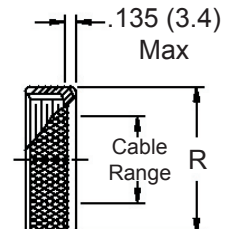


TABLE III: CABLE ENTRY

Dash No.	Clamp Style	Clamp Size	Cable Range		A Thread Class A	B Max	C Dim.	D Dia		E Dia ± .010
			Min	Max				+ .015 (+ .4)	-.000 (- .0)	
01	1	03*	.157 (4.0)	.250 (6.4)	1/2 -28	.885 (22.5)	.593 (15.1)	.120 (3.0)	(± .25)	
02	2	03*	.157 (4.0)	.250 (6.4)	1/2 -28	.885 (22.5)	.593 (15.1)	.120 (3.0)	.515 (13.1)	
03	1	04*	.187 (4.7)	.312 (7.9)	5/8 -24	1.104 (28.0)	.812 (20.6)	.120 (3.0)	.515 (13.1)	
04	2	04*	.187 (4.7)	.312 (7.9)	5/8 -24	1.104 (28.0)	.812 (20.6)	.120 (3.0)	.640 (16.3)	
05	1	06*	.281 (7.1)	.437 (11.1)	3/4 -20	1.197 (30.4)	.906 (23.0)	.120 (3.0)	.640 (16.3)	
06	2	06*	.281 (7.1)	.437 (11.1)	3/4 -20	1.197 (30.4)	.906 (23.0)	.120 (3.0)	.765 (19.4)	
07	1	08	.344 (8.7)	.562 (14.3)	7/8 -20	1.291 (32.8)	.968 (24.6)	.120 (3.0)	.765 (19.4)	
08	2	08	.387 (9.8)	.562 (14.3)	7/8 -20	1.291 (32.8)	.968 (24.6)	.120 (3.0)	.890 (22.6)	
09	1	10	.375 (9.5)	.625 (15.9)	1 -20	1.385 (35.2)	1.062 (27.0)	.120 (3.0)	.890 (22.6)	
10	2	10	.512 (13.0)	.625 (15.9)	1 -20	1.385 (35.2)	1.062 (27.0)	.120 (3.0)	1.015 (25.8)	
11	1	12	.438 (11.1)	.750 (19.1)	1 3/16 -18	1.635 (41.5)	1.250 (31.8)	.120 (3.0)	1.015 (25.8)	
12	2	12	.575 (14.6)	.750 (19.1)	1 3/16 -18	1.635 (41.5)	1.250 (31.8)	.120 (3.0)	1.202 (30.5)	
13	1	16	.625 (15.9)	.937 (23.8)	1 7/16 -18	1.760 (44.7)	1.375 (34.9)	.147 (3.7)	1.202 (30.5)	
14	2	16	.625 (15.9)	.937 (23.8)	1 7/16 -18	1.760 (44.7)	1.375 (34.9)	.147 (3.7)	1.452 (36.9)	
15	1	20	.875 (22.2)	1.250 (31.8)	1 3/4 -18	2.010 (51.1)	1.562 (39.7)	.147 (3.7)	1.452 (36.9)	
16	2	20	.875 (22.2)	1.250 (31.8)	1 3/4 -18	2.010 (51.1)	1.562 (39.7)	.147 (3.7)	1.765 (44.8)	
17	1	24	1.000 (25.4)	1.375 (34.9)	2 -18	2.260 (57.4)	1.750 (44.5)	.173 (4.4)	1.765 (44.8)	
18	2	24	1.000 (25.4)	1.375 (34.9)	2 -18	2.260 (57.4)	1.750 (44.5)	.173 (4.4)	2.015 (51.2)	
19	1	28	1.250 (31.8)	1.625 (41.3)	2 1/4 -16	2.510 (63.8)	1.938 (49.2)	.173 (4.4)	2.015 (51.2)	
20	2	28	1.250 (31.8)	1.625 (41.3)	2 1/4 -16	2.510 (63.8)	1.938 (49.2)	.173 (4.4)	2.625 (57.5)	
21	1	32*	1.437 (36.5)	1.875 (47.6)	2 1/2 -16	2.781 (70.6)	2.188 (55.6)	.173 (4.4)	2.625 (57.5)	
22	2	32*	1.437 (36.5)	1.875 (47.6)	2 1/2 -16	2.781 (70.6)	2.188 (55.6)	.173 (4.4)	2.515 (63.9)	
23	1	40*	1.875 (47.6)	2.375 (60.3)	3 -16	3.281 (83.3)	2.625 (66.7)	.173 (4.4)	2.515 (63.9)	
24	2	40*	1.875 (47.6)	2.375 (60.3)	3 -16	3.281 (83.3)	2.625 (66.7)	.173 (4.4)	3.015 (76.6)	

* Not Available in Style M Clamp

TABLE IV: CABLE ENTRY

Dash No.	Clamp Size	F Max	G Max	H Max	J Max	K Max
01/02	03	.750 (19.1)	1.000 (25.4)	.639 (16.2)	.890 (22.6)	.670 (17.0)
03/04	04	.810 (20.6)	1.060 (26.9)	.664 (16.9)	.920 (23.4)	.670 (17.0)
05/06	06	.870 (22.1)	1.125 (28.6)	.688 (17.5)	.940 (23.9)	.670 (17.0)
07/08	08	.920 (23.4)	1.190 (30.2)	.705 (17.9)	.970 (24.6)	.670 (17.0)
09/10	10	.980 (24.9)	1.250 (31.8)	.732 (18.6)	.990 (25.1)	.670 (17.0)
11/12	12	1.080 (27.4)	1.330 (33.8)	.773 (19.6)	1.020 (25.9)	.670 (17.0)
13/14	16	1.200 (30.5)	1.480 (37.6)	.823 (20.9)	1.090 (27.7)	.670 (17.0)
15/16	20	1.480 (37.6)	1.781 (45.2)	1.041 (26.4)	1.322 (33.6)	.700 (17.8)
17/18	24	1.610 (40.9)	1.938 (49.2)	1.092 (27.7)	1.425 (36.2)	.700 (17.8)
19/20	28	1.720 (43.7)	2.045 (51.9)	1.138 (28.9)	1.475 (37.5)	.700 (17.8)
21/22	32	1.830 (46.5)	2.218 (56.3)	1.184 (30.1)	1.578 (40.1)	.820 (20.8)
23/24	40	2.080 (52.8)	2.594 (65.9)	1.287 (32.7)	1.802 (45.8)	.820 (20.8)

TABLE V: CABLE ENTRY

Dash No.	Clamp Size	L Max	M Max	N Max	P Max	R Max
01/02	03	---	---	.760 (19.3)	.843 (21.4)	.630 (16.0)
03/04	04	.780 (19.8)	.957 (24.3)	.760 (19.3)	.906 (23.0)	.755 (19.2)
05/06	06	.780 (19.8)	1.145 (29.1)	.760 (19.3)	1.093 (27.8)	.942 (23.9)
07/08	08	.780 (19.8)	1.332 (33.8)	.760 (19.3)	1.187 (30.1)	1.067 (27.1)
09/10	10	.780 (19.8)	1.332 (33.8)	.760 (19.3)	1.281 (32.5)	1.192 (30.3)
11/12	12	.811 (20.6)	1.551 (39.4)	.760 (19.3)	1.500 (38.1)	1.380 (35.1)
13/14	16	.905 (23.0)	1.770 (45.0)	1.073 (27.3)	1.719 (43.7)	1.535 (39.0)
15/16	20	1.092 (27.7)	2.113 (53.7)	1.323 (33.6)	2.062 (52.4)	1.848 (46.9)
17/18	24	1.124 (28.5)	2.363 (60.0)	1.323 (33.6)	2.312 (58.7)	2.255 (57.3)
19/20	28	1.399 (35.5)	2.770 (70.4)	1.572 (39.9)	2.719 (69.1)	2.505 (63.6)
21/22	32	1.399 (35.5)	3.020 (76.7)	1.572 (39.9)	2.969 (75.4)	2.755 (70.0)
23/24	40	---	---	1.572 (39.9)	3.531 (89.7)	3.255 (82.7)