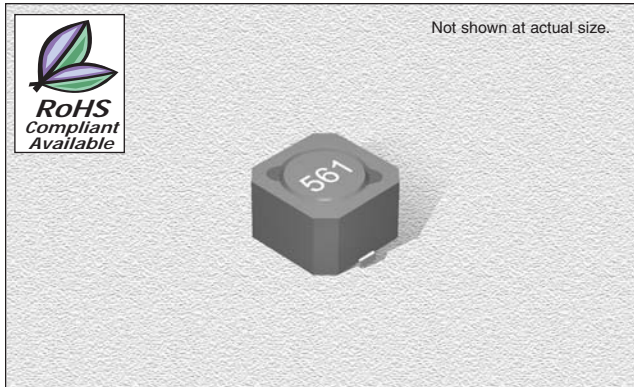


CTCDRH64B Series

From 2.9 μH to 1000 μH



CHARACTERISTICS

- Description:** SMD (shielded) power inductor
- Applications:** Power supplies for VTR, OA equipment, LCD televisions, PC notebooks, portable communication equipment, DC/DC converters, etc.
- Operating Temperature:** -30°C to +100°C
- Inductance Tolerances:** $\pm 20\%$, $\pm 30\%$
- Testing:** Tested on a HP4285A at 1.0 KHz, 1.0V
- Packaging:** Tape & Reel
- Marking:** Parts are marked with inductance code
- Miscellaneous:** **RoHS Compliant available**
- Additional Information:** Additional electrical & physical information available upon request
- Samples available. See website for ordering information.**

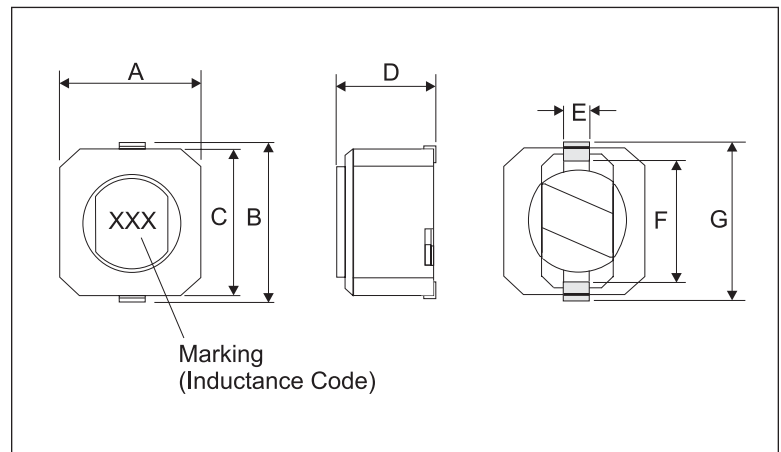
SPECIFICATIONS

Part numbers indicate available inductance tolerance.
 N = $\pm 30\%$, M = $\pm 20\%$
CTCDRH64BE Please specify "F" for RoHS Compliant
 *Inductance drop = 35% typ. at IDC

Part Number	Inductance (μH)	L Test Freq. (kHz)	DCR Max. (Ω)	*IDC Min. (A)
CTCDRH64B_-2R9N	2.9	1.0	.047	1.80
CTCDRH64B_-3R3N	3.3	1.0	.050	1.75
CTCDRH64B_-4R0N	4.0	1.0	.060	1.65
CTCDRH64B_-4R7N	4.7	1.0	.065	1.55
CTCDRH64B_-5R5N	5.5	1.0	.070	1.45
CTCDRH64B_-100M	10	1.0	.120	1.40
CTCDRH64B_-120M	12	1.0	.130	1.20
CTCDRH64B_-150M	15	1.0	.180	1.10
CTCDRH64B_-180M	18	1.0	.240	1.00
CTCDRH64B_-220M	22	1.0	.270	.910
CTCDRH64B_-270M	27	1.0	.300	.820
CTCDRH64B_-330M	33	1.0	.330	.740
CTCDRH64B_-390M	39	1.0	.370	.690
CTCDRH64B_-470M	47	1.0	.520	.620
CTCDRH64B_-560M	56	1.0	.560	.580
CTCDRH64B_-680M	68	1.0	.630	.510
CTCDRH64B_-820M	82	1.0	.710	.460
CTCDRH64B_-101M	100	1.0	1.00	.420
CTCDRH64B_-121M	120	1.0	1.20	.380
CTCDRH64B_-151M	150	1.0	1.70	.350
CTCDRH64B_-181M	180	1.0	1.90	.320
CTCDRH64B_-221M	220	1.0	2.10	.290
CTCDRH64B_-271M	270	1.0	2.40	.260
CTCDRH64B_-331M	330	1.0	2.70	.230
CTCDRH64B_-391M	390	1.0	2.90	.220
CTCDRH64B_-471M	470	1.0	3.90	.200
CTCDRH64B_-561M	560	1.0	5.40	.180
CTCDRH64B_-681M	680	1.0	7.30	.170
CTCDRH64B_-821M	820	1.0	8.20	.150
CTCDRH64B_-102M	1000	1.0	9.30	.140

PHYSICAL DIMENSIONS

Size	A	B	C Max.	D	E	F	G
mm	6.2	6.6 \pm 0.3	5.9 \pm 0.3	4.5	1.5	4.6	6.6
inches	0.24	0.26 \pm 0.01	0.23 \pm 0.01	0.18	0.06	0.18	0.26



12.14.06