

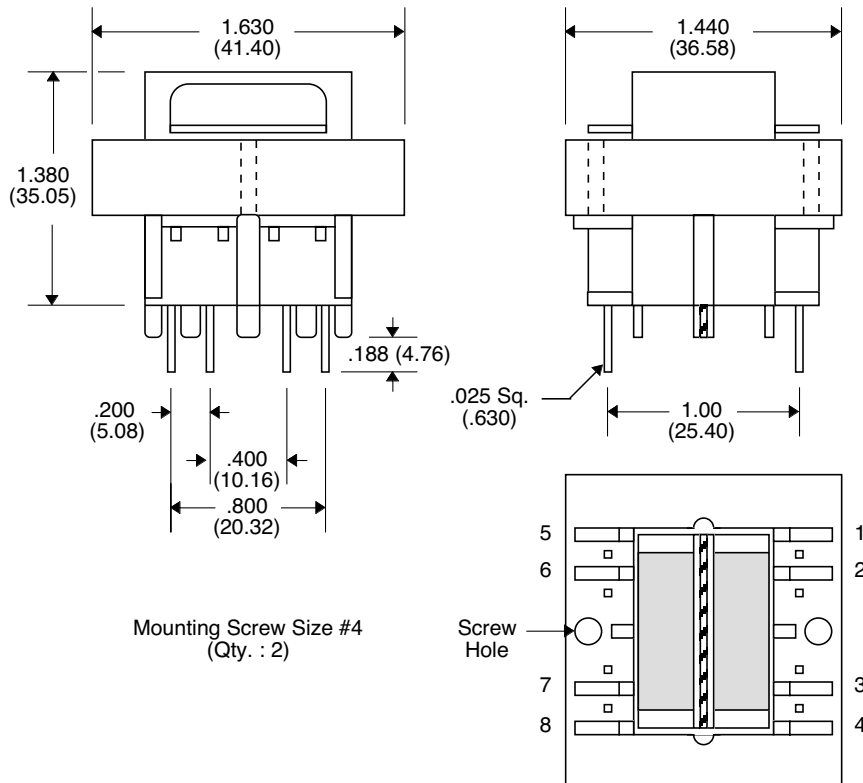
- Dual Primaries : 115 V / 230 V
- UL 94V-0 Recognized Components
- UL 1446 Class F Insulation System
- Meets or exceeds CSA/TUV/VDE Specifications for Creepage, Clearance and Dielectric Strength

Electrical Parameters @ 25° C

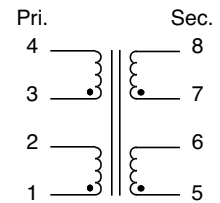
Part Number	Primary Voltage		Secondary Voltage		Secondary Current (A-Rms)		Power Rating (VA)
	Parallel Connection	Series Connection	Parallel Connection	Series Connection	Parallel Connection	Series Connection	
EPC3079-1	115	230	5.0	10	1.0	.500	5.0
EPC3079-2	115	230	6.3	12.6	0.82	.400	5.0
EPC3079-3	115	230	8.0	16	0.62	.310	5.0
EPC3079-4	115	230	10	20	0.50	.250	5.0
EPC3079-5	115	230	12	24	0.42	.210	5.0
EPC3079-6	115	230	14	28	0.36	.180	5.0
EPC3079-7	115	230	18	36	0.28	.140	5.0

• Switching Frequency : 50 Hz - 500 Hz • Isolation : 4000 Vrms •

Package



Schematic



Unless Otherwise Specified Dimensions are in Inches /mm ±.010 /.25