

EPC3081-X

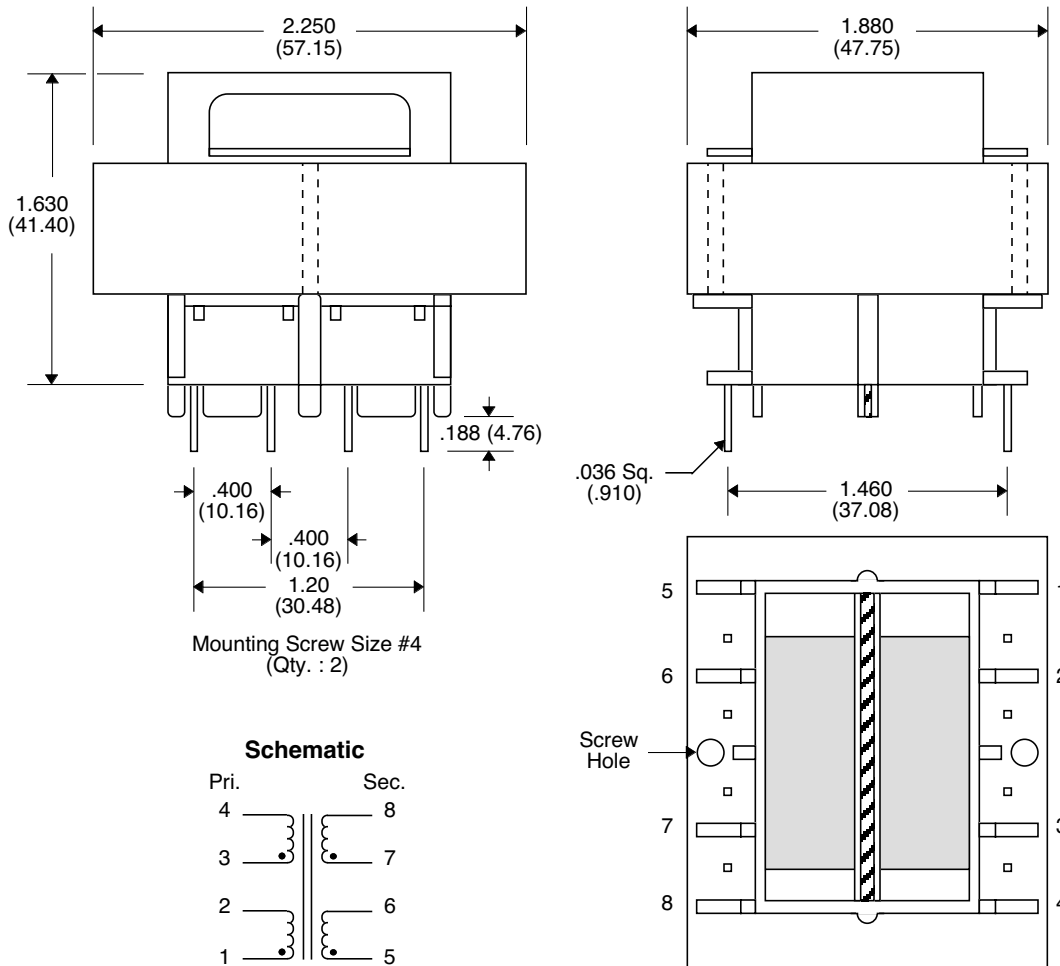
- Dual Primaries : 115 V / 230 V
- UL 94V-0 Recognized Components
- UL 1446 Class F Insulation System
- Meets or exceeds CSA/TUV/VDE Specifications for Creepage, Clearance and Dielectric Strength

Electrical Parameters @ 25° C

Part Number	Primary Voltage		Secondary Voltage		Secondary Current (A-Rms)		Power Rating (VA)
	Parallel Connection	Series Connection	Parallel Connection	Series Connection	Parallel Connection	Series Connection	
EPC3081-1	115	230	5.0	10	4.0	2.0	20
EPC3081-2	115	230	6.3	12.6	3.2	1.6	20
EPC3081-3	115	230	8.0	16	2.5	1.25	20
EPC3081-4	115	230	10	20	2.0	1.0	20
EPC3081-5	115	230	12	24	1.66	.830	20
EPC3081-6	115	230	14	28	1.44	.720	20
EPC3081-7	115	230	18	36	1.12	.526	20

• Switching Frequency : 50 Hz - 500 Hz • Isolation : 4000 Vrms •

Package



Unless Otherwise Specified Dimensions are in Inches /mm ±.010 /.25