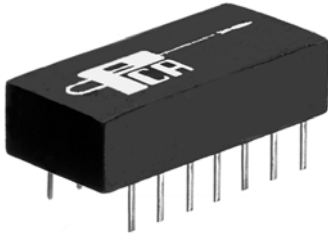


T1/CEPT/ISDN-PRI Interface Transformers

EPR1035E

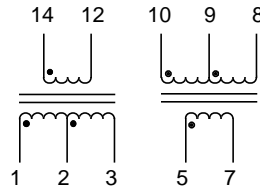


- Optimized for Leading Transceiver I.C.'s •
- Meets or exceeds UL1459, UL1950 & EN60950 Standards •
 - 1500 Vrms Isolation •
- Operating Temperature : -40°C to +85°C •

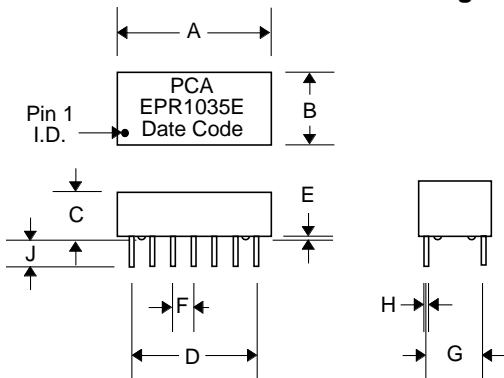
Electrical Parameters @ 25° C

Turns Ratio	OCL (mH Min.)	Cw/w (pF Max.)	LI (μH Max.)	Pri. DCR (Ω Max.)	Sec. DCR (Ω Max.)	Primary Pins
1:1.15CT/1:2CT	1.5 / 1.2	40 / 60	0.8 / 0.8	0.9 / 0.9	1.0 / 1.70	14,12 / 5,7

Schematic



Package



Dimensions

Dim.	(Inches)			(Millimeters)		
	Min.	Max.	Nom.	Min.	Max.	Nom.
A	.780	.800	.790	19.81	20.32	20.07
B	.365	.385	.375	9.27	9.78	9.52
C	.270	.290	.280	6.86	7.37	7.11
D	---	---	.600	---	---	15.24
E	.013	.017	.015	.330	.432	.381
F	---	---	.100	---	---	2.54
G	---	---	.300	---	---	7.62
H	.017	.023	.020	.432	.584	.508
I	---	---	.200	---	---	5.08
J	.120	.140	.130	3.05	3.56	3.30