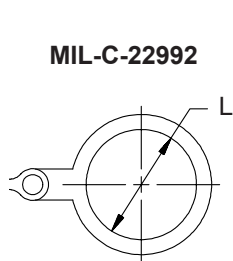


# MS17349 and MS17350 Protective Covers



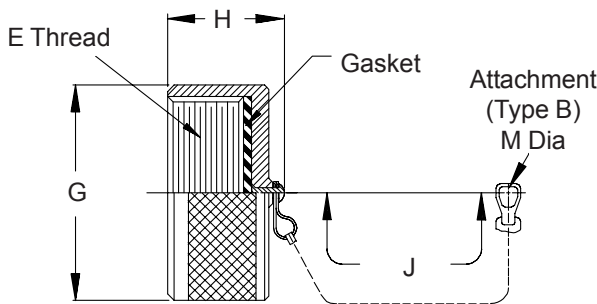
**MS17349  
Attachment Type A**

**MS17349 C 28 A**

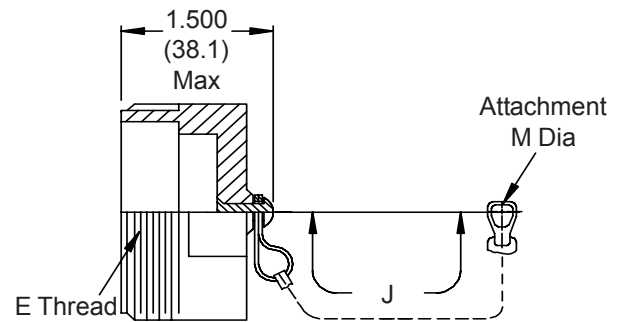
Basic Part No. \_\_\_\_\_  
 MS17349 = Receptacle Cover  
 MS17350 = Plug Cover

Attachment Type (MS17349 Only)  
 Dash No.

Finish \_\_\_\_\_  
 C = Conductive  
 N = Non-Conductive



**MS17349 Receptacle Cover**



**MS17350 Plug Cover**

**TABLE I**

Dash No.	E Thread	G Max	H Max	J Chain Length	L Min.	M Dia Min.
12	.8750-0.1P-0.2L-DS	1.094 (27.8)	.765 (19.4)	5.00 (127.0)	1.016 (25.8)	.150 (3.8)
14	1.0000-0.1P-0.2L-DS	1.219 (31.0)	.765 (19.4)	5.00 (127.0)	1.141 (29.0)	.150 (3.8)
16	1.1250-0.1P-0.2L-DS	1.344 (34.1)	.980 (24.9)	5.00 (127.0)	1.266 (32.2)	.150 (3.8)
18	1.2500-0.1P-0.2L-DS	1.469 (37.3)	.980 (24.9)	5.00 (127.0)	1.391 (35.3)	.177 (4.5)
20	1.3750-0.1P-0.2L-DS	1.562 (39.7)	.980 (24.9)	5.00 (127.0)	1.516 (38.5)	.177 (4.5)
22	1.5000-0.1P-0.2L-DS	1.688 (42.9)	.980 (24.9)	6.00 (152.4)	1.641 (41.7)	.177 (4.5)
24	1.7500-0.1P-0.2L-DS	1.938 (49.2)	.980 (24.9)	6.00 (152.4)	1.891 (48.0)	.177 (4.5)
28	2.0000-0.1P-0.2L-DS	2.219 (56.4)	.980 (24.9)	6.00 (152.4)	2.141 (54.4)	.177 (4.5)
32	2.2500-0.1P-0.2L-DS	2.469 (62.7)	.980 (24.9)	6.00 (152.4)	2.391 (60.7)	.199 (5.1)
36	2.5000-0.1P-0.2L-DS	2.719 (69.1)	.980 (24.9)	6.00 (152.4)	2.641 (67.1)	.199 (5.1)
40	2.7500-0.1P-0.2L-DS	2.969 (75.4)	.980 (24.9)	6.00 (152.4)	2.891 (73.4)	.199 (5.1)
44	3.0000-0.1P-0.2L-DS	3.219 (81.8)	.980 (24.9)	6.00 (152.4)	3.141 (79.8)	.199 (5.1)

1. For complete dimensions see applicable Military Specification.
2. Metric dimensions (mm) are indicated in parentheses.