

Glenair Connector  
 Designator E

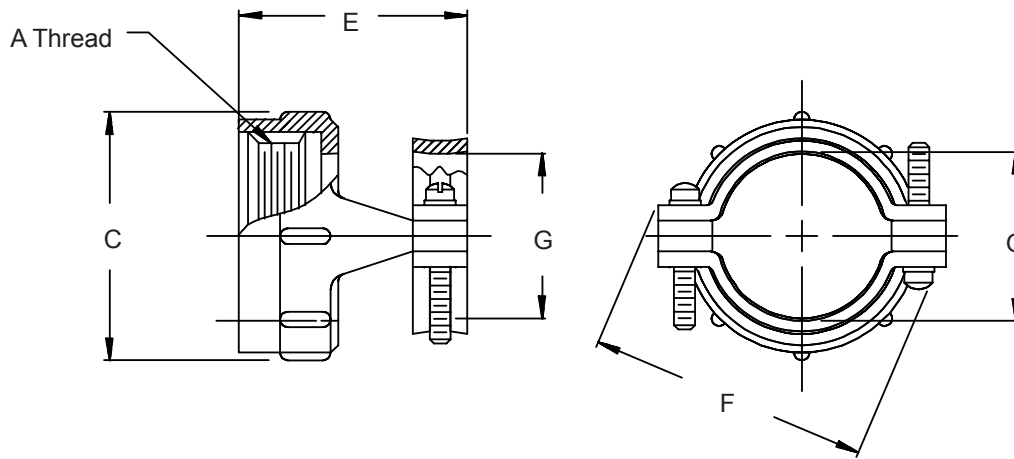
MIL-DTL-26500

**MS27291-401**

Basic Part No.

Dash No.

**INACTIVE FOR  
 NEW DESIGN OR  
 MODIFICATION  
 OF EXISTING  
 EQUIPMENT**



**TABLE I**

Dash No. For Use With Class Connectors			Shell Size	A Thread	C	E		F	G
R and F	G		Ref.	Class 2B	Max	$\pm 0.015$	(.4)	Max	Dia
									$\pm 0.005$ (.1)
1	101	10		.562 - 24 UNEF	.731 (18.6)	.935 (23.7)		.914 (23.2)	.270 (6.9)
2	201	12		.750 - 20 UNEF	.919 (23.3)	.935 (23.7)		1.026 (26.1)	.400 (10.2)
3	301	14		.812 - 20 UNEF	.981 (24.9)	1.170 (29.7)		1.090 (27.7)	.460 (11.7)
4	401	16		.938 - 20 UNEF	1.106 (28.1)	1.170 (29.7)		1.250 (31.8)	.610 (15.5)
5	501	18		1.062 - 18 UNEF	1.231 (31.3)	1.170 (29.7)		1.358 (34.5)	.690 (17.5)
6	601	22		1.312 - 18 UNEF	1.481 (37.6)	1.170 (29.7)		1.604 (40.7)	.940 (23.9)
13	701	8		.438 - 28 UNEF	.606 (15.4)	.935 (23.7)		.789 (20.0)	.186 (4.7)
14	801	20		1.188 - 18 UNEF	1.356 (34.4)	1.170 (29.7)		1.481 (37.6)	.816 (20.7)
15	901	24		1.438 - 18 UNEF	1.606 (40.8)	1.170 (29.7)		1.729 (43.9)	1.066 (27.1)

1. For complete dimensions see applicable Military Specification.
2. Metric dimensions (mm) are indicated in parentheses.
3. Finish: Anodize.