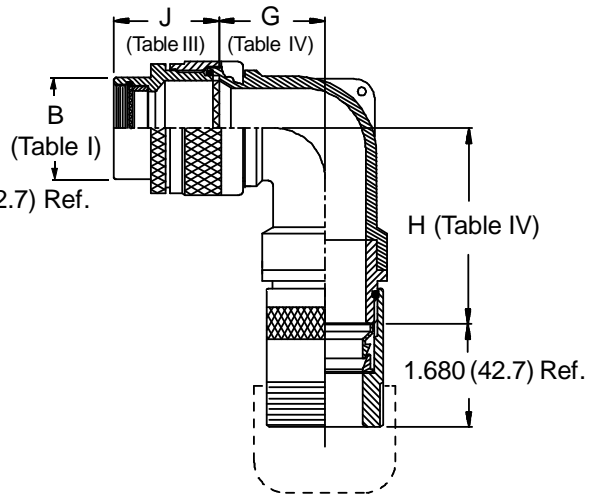
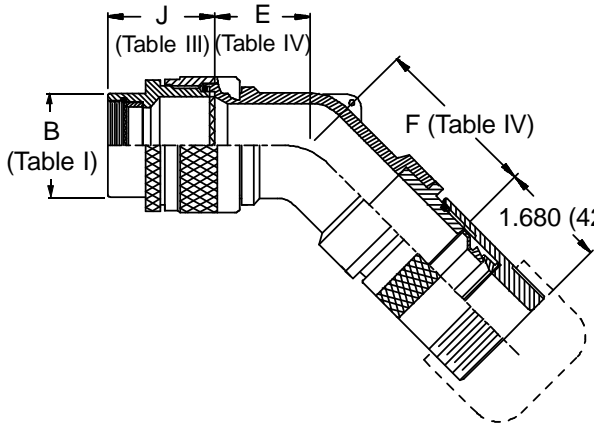
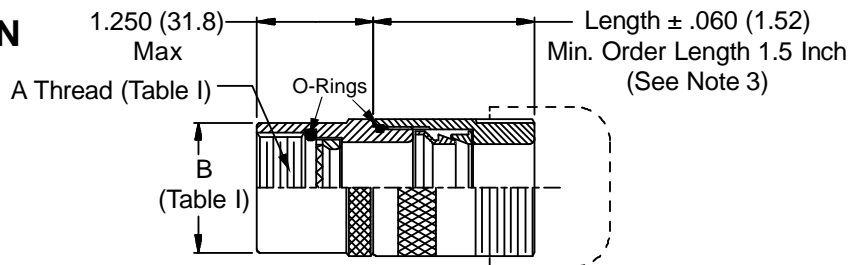
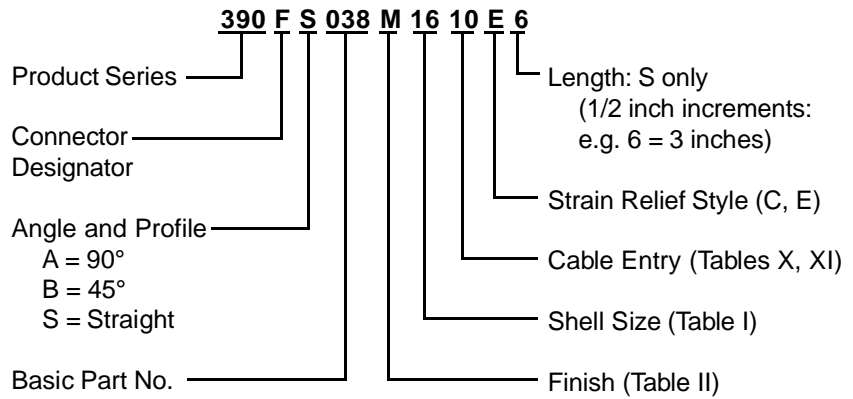


**CONNECTOR
 DESIGNATORS
 A-B*-C-D-E-F
 G-H-J-K-L-S**

* Conn. Desig. B See Note 5
DIRECT COUPLING

**TYPE G INDIVIDUAL
 AND/OR OVERALL
 SHIELD TERMINATION**



STYLE C
 Medium Duty
 (Table X)

STYLE E
 Medium Duty
 (Table XI)

