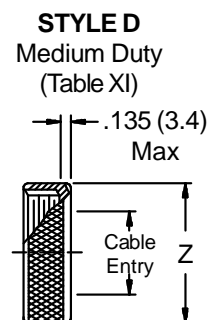
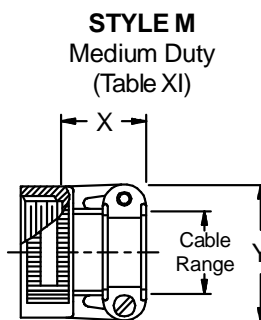
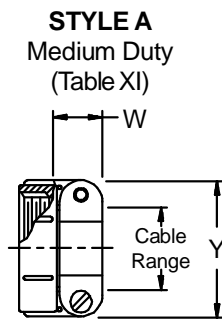
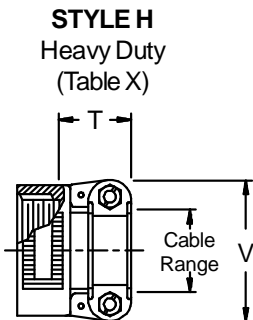
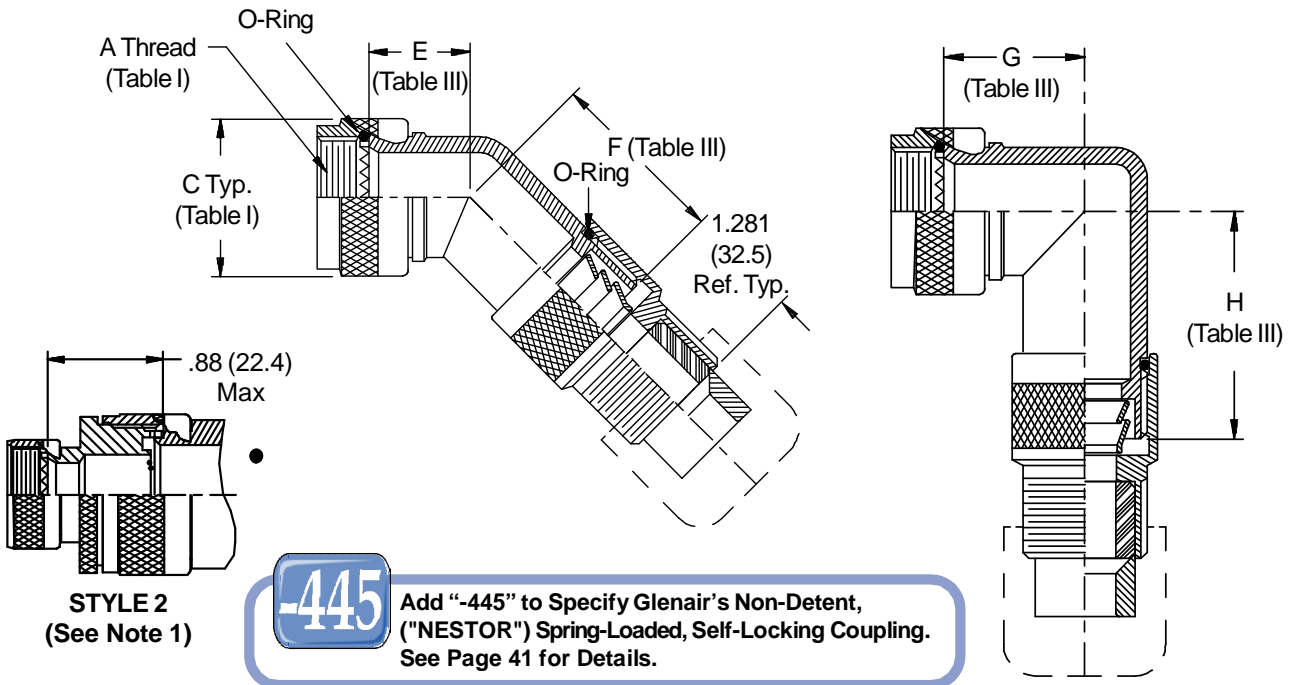
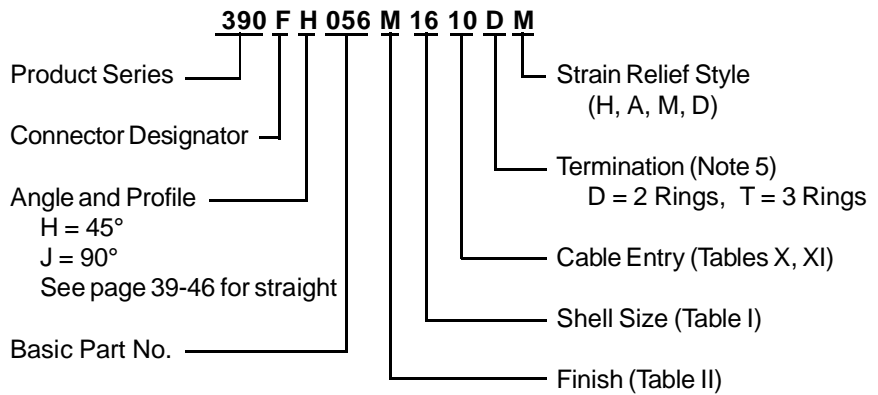


CONNECTOR DESIGNATORS
A-F-H-L-S
ROTATABLE COUPLING
TYPE E INDIVIDUAL AND/OR OVERALL SHIELD TERMINATION



390-056
Submersible EMI/RFI Cable Sealing Backshell
 with Strain Relief
 Type E - Rotatable Coupling - Standard Profile



See inside back cover fold-out or pages 13 and 14 for Tables I and II.

TABLE III: ELBOW DIMENSIONS									
Shell Size		E		F		G		H	
Conn. Desig.	A-F-L-S	H	Max	Max	Max	Max	Max	Max	Max
08	09	.639	(16.2)	1.031	(26.2)	.750	(19.1)	1.157	(29.4)
10	11	.664	(16.9)	1.063	(27.0)	.810	(20.6)	1.217	(30.9)
12	13	.688	(17.5)	1.094	(27.8)	.870	(22.1)	1.277	(32.4)
14	15	.705	(17.9)	1.127	(28.6)	.920	(23.4)	1.347	(34.2)
16	17	.732	(18.6)	1.147	(29.1)	.980	(24.9)	1.407	(35.7)
18	19	.748	(19.0)	1.157	(29.4)	1.020	(25.9)	1.427	(36.2)
20	21	.773	(19.6)	1.177	(29.9)	1.080	(27.4)	1.487	(37.8)
22	23	.800	(20.3)	1.217	(30.9)	1.140	(29.0)	1.567	(39.8)
24	25	.823	(20.9)	1.247	(31.7)	1.200	(30.5)	1.637	(41.6)

TABLE X: CABLE ENTRY								
Dash No.	T		V		Cable Range			
	Max	Max	Max	Max	Min	Max	Max	
04	.780	(19.8)	.957	(24.3)	.125	(3.2)	.312	(7.9)
06	.780	(19.8)	1.145	(29.1)	.250	(6.4)	.437	(11.1)
08	.780	(19.8)	1.332	(33.8)	.387	(9.8)	.562	(14.3)
10	.780	(19.8)	1.332	(33.8)	.350	(8.9)	.625	(15.9)
12	.811	(20.6)	1.551	(39.4)	.500	(12.7)	.750	(19.1)
16	.905	(23.0)	1.770	(45.0)	.625	(15.9)	.937	(23.8)
20	1.092	(27.7)	2.113	(53.7)	.875	(22.2)	1.250	(31.8)
24	1.124	(28.5)	2.363	(60.0)	1.000	(25.4)	1.375	(34.9)
28	1.399	(35.5)	2.770	(70.4)	1.250	(31.8)	1.625	(41.3)
32	1.399	(35.5)	3.020	(76.7)	1.437	(36.5)	1.875	(47.6)

- When maximum cable entry (page 21) is exceeded, Style 2 will be supplied. Dimensions E, F, G and H will not apply. Please consult factory.
- Metric dimensions (mm) are indicated in parentheses.
- Cable range is defined as the accommodations range for the wire bundle or cable. Dimensions shown are not intended for inspection criteria.
- Interface O-Ring not supplied with connector designator A.
- Designate Symbol T for 3 ring termination of individual and overall braid. Designate D for standard 2 ring termination of individual or overall braid.
- 445 modification not available for MIL-DTL-38999 Series II

TABLE XI: CABLE ENTRY												
Dash No.	W		X		Y		Z		Cable Range			
	Max	Max	Max	Max	Max	Max	Max	Max	Min**	Max		
03*	.437	(11.1)	.760	(19.3)	.843	(21.4)	.630	(16.0)	.156	(4.0)	.250	(6.4)
04*	.437	(11.1)	.760	(19.3)	.906	(23.0)	.755	(19.2)	.188	(4.8)	.312	(7.9)
06*	.500	(12.7)	.760	(19.3)	1.093	(27.8)	.942	(23.9)	.281	(7.1)	.438	(11.1)
08	.563	(14.3)	.760	(19.3)	1.187	(30.1)	1.067	(27.1)	.387	(9.8)	.562	(14.3)
10	.563	(14.3)	.760	(19.3)	1.281	(32.5)	1.192	(30.3)	.375	(9.5)	.625	(15.9)
12	.563	(14.3)	.760	(19.3)	1.500	(38.1)	1.380	(35.1)	.438	(11.1)	.750	(19.1)
16	.656	(16.7)	1.073	(27.3)	1.719	(43.7)	1.535	(39.0)	.625	(15.9)	.938	(23.8)
20	.656	(16.7)	1.323	(33.6)	2.062	(52.4)	1.848	(46.9)	.875	(22.2)	1.250	(31.8)
24	.656	(16.7)	1.323	(33.6)	2.312	(58.7)	2.255	(57.3)	1.000	(25.4)	1.375	(34.9)
28	1.188	(30.2)	1.572	(39.9)	2.719	(69.1)	2.505	(63.6)	1.250	(31.8)	1.625	(41.3)
32*	1.187	(30.1)	1.572	(39.9)	2.969	(75.4)	2.755	(70.0)	1.437	(36.5)	1.875	(47.6)
40*	1.125	(28.6)	1.572	(39.9)	3.531	(89.7)	3.255	(82.7)	1.875	(47.6)	2.375	(60.3)

* Not available in Style M clamp.

** Not Applicable Style D