

Marketing Bulletin

DATE: Saturday, April 01, 2000
TO: Affected Customers
FROM: Marketing
RE: ECCM61 Series Termination

To all concerned parties,

This bulletin is to notify all customers of the discontinuation of the ECCM61 series Ecliptek crystal effective Saturday, April 01, 2000.

In compliance with our End of Life (EOL) policy, this notice will serve as advanced notice of product termination. New orders will not be accepted after Saturday, July 01, 2000, with delivery to be conclude by Saturday, September 30, 2000.

The ECCM1 series is a recommended alternate for the ECCM61 series. This may not be an exact cross, so it is highly recommended that the data sheet(s) of the recommended alternate are reviewed and samples tested to ensure conformance.

If there are any questions pertaining to this bulletin, please contact your Ecliptek sales representative. Thank you again for your cooperation.

Ecliptek Marketing

STANDARD SPECIFICATIONS

Frequency Range:	9.216MHz to 100.000MHz
Frequency Tolerance/Stability: Blank J	±50ppm at 25°C, ±100ppm over -10°C to +60°C ±30ppm at 25°C, ±50ppm over -10°C to +60°C
Shunt Capacitance (C0)	7pF Maximum
Load Capacitance (CL)	18pF Standard, CL ≥ 10pF and Series Available
Mode of Operation Blank T	Fundamental from 9.216MHz to 41.000MHz Third Overtone from 28.000MHz to 100.000MHz
Storage Temperature	-40°C to +85°C
Drive Level	100 μWatts Maximum
Aging @ 25°C	±5ppm/year Maximum
Insulation Resistance	500 Megaohms Minimum at 100Vdc

ORIGINAL
IF IN RED

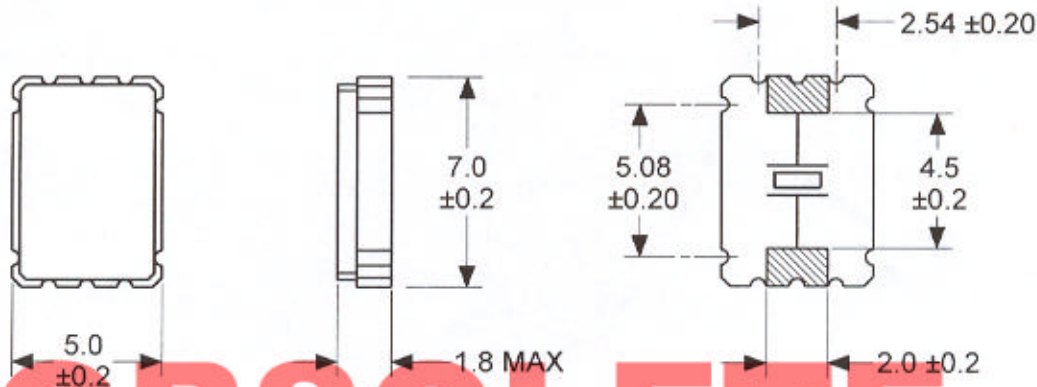
ENVIRONMENTAL & MECHANICAL

Shock:	Conditions and Criteria Listed in TQC41-883-007
Vibration:	Conditions and Criteria Listed in TQC41-883-008
Seal Integrity:	Conditions and Criteria Listed in TQC41-883-003
Solderability:	Conditions and Criteria Listed in TQC41-883-004 / 95% coverage
Marking Permanency:	Conditions and Criteria Listed in TQC41-883-001

FREQUENCY VS. EQUIVALENT SERIES RESISTANCE (ESR Ohms Maximum)

Frequency Range	ESR	Frequency Range	ESR	Frequency Range	ESR	Frequency Range	ESR
9.216 - 15.999 (Fund)	60	16.000 - 41.000 (Fund)	40	28.000 - 34.999 (3rd)	100	35.000 - 100.000 (3rd)	60

ALL DIMENSIONS
IN MILLIMETERS



OBSOLETE

MARKING GUIDE

(Line #1) EXX.XX

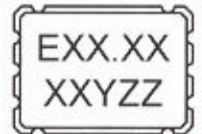
Frequency in MHz

(Line #2) XX Y ZZ

Week of Year

Year (Last Digit)

Ecliptek Manufacturing Code
(per TEN02-001-000)



NOTE: Parts shall have Laser Etch marking only. Laser Etch shall conform to conditions listed in TQC41-001-000.

PART NUMBERING GUIDE

ECCM61 J T - 20 - 35.000M TR

Packaging Options
Blank = Bulk
TR = Tape & Reel (CPA70-281-000)

Frequency

Load Capacitance
Blank = 18pF(Standard)
S = Series
XX = XXpF (Custom)

Mode of Operation
Blank = Fundamental
T = Third Overtone

Frequency Tolerance/Stability
Blank = ±50ppm at 25°C, ±100ppm over -10°C to +60°C
J = ±30ppm at 25°C, ±50ppm over -10°C to +60°C

SPECIFICATION CONTROL DRAWING

	Drawing Number CCR44-001-000
	Title CERAMIC SURFACE MOUNT CRYSTAL