

MECHANICAL VARIABLE OPTICAL ATTENUATOR REFLECTION TYPE

MVOA-R Series

Features

- ◆ Low Insertion Loss
- ◆ Wide Attenuation Range
- ◆ Low Back Reflection
- ◆ Low Wavelength and Polarization Dependent Loss (WDL / PDL)

Applications

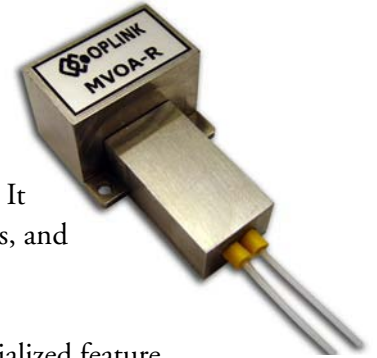
- ◆ In-Line Power Control in Multi-Channel Optically Amplified System
- ◆ Transmitter Power Equalization
- ◆ Laboratory R&D

Oplink Fiber Optic Product Lines

- ◆ Amplifier Components
- ◆ Amplifier Modules
- ◆ DWDMs
- ◆ Switching/Routing/Signal Conditioning
- ◆ Transmissions
- ◆ RGB Laser Modules

Mechanical Variable Optical Attenuator Reflection Type (MVOA-R)

Oplink's Mechanical Variable Attenuator (MVOA-R) utilizes thin filter technology and features high resolution, a wide dynamic range, and convenient manual adjustment of attenuation range. It has low insertion loss, low wavelength dependent loss, and low polarization dependent.



Oplink can provide customized designs to meet specialized feature applications. Also, Oplink offers modular assemblies that integrate other components to form a full function module or subsystem.

Performance Specifications

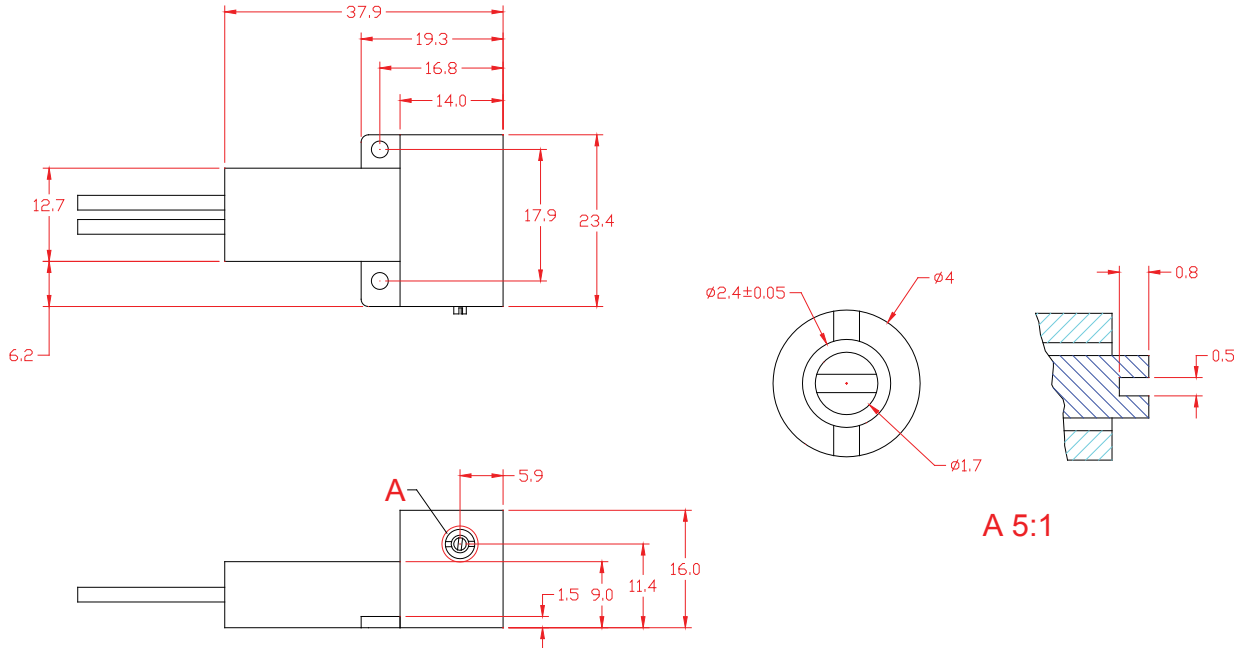
| Parameter | Single Window | Dual Window | Units |
|------------------------------------|--------------------------------|---------------------|-------|
| Operating Wavelength Range | 1310±20 or 1550±50 | 1310±20 and 1550±50 | nm |
| Excess Insertion Loss ¹ | ≤ 1.0 | ≤ 1.5 | dB |
| Attenuation Range | 1.0 ~ 40 | 1.5 ~ 40 | dB |
| Polarization Dependent Loss (PDL) | ≤ 0.10 | ≤ 0.15 | dB |
| Temperature Dependent Loss (TDL) | ≤ 0.20 | ≤ 0.30 | dB |
| Resolution | | < 0.15 | dB |
| Wavelength Dependent Loss | | ≤ 0.50 | dB |
| Return Loss ¹ | | ≥ 50 | dB |
| Operating Temperature Range | | 0 ~ 70 | °C |
| Storage Temperature Range | | -40 ~ 85 | °C |
| Fiber Type | Corning SMF-28 | | |
| Package Dimensions | 37.8 (L) x 23.4 (W) x 16.0 (H) | | mm |

Notes:

1) Not include connector RL.

MECHANICAL VARIABLE OPTICAL ATTENUATOR REFLECTION TYPE (MVOA-R)

Mechanical Footprint (dimension in mm)



Ordering Information

Oplink can provide a remarkable range of customized optical solutions. For detail, please contact Oplink's OEM design team or account manager for your requirements and ordering information (510) 933-7200.

