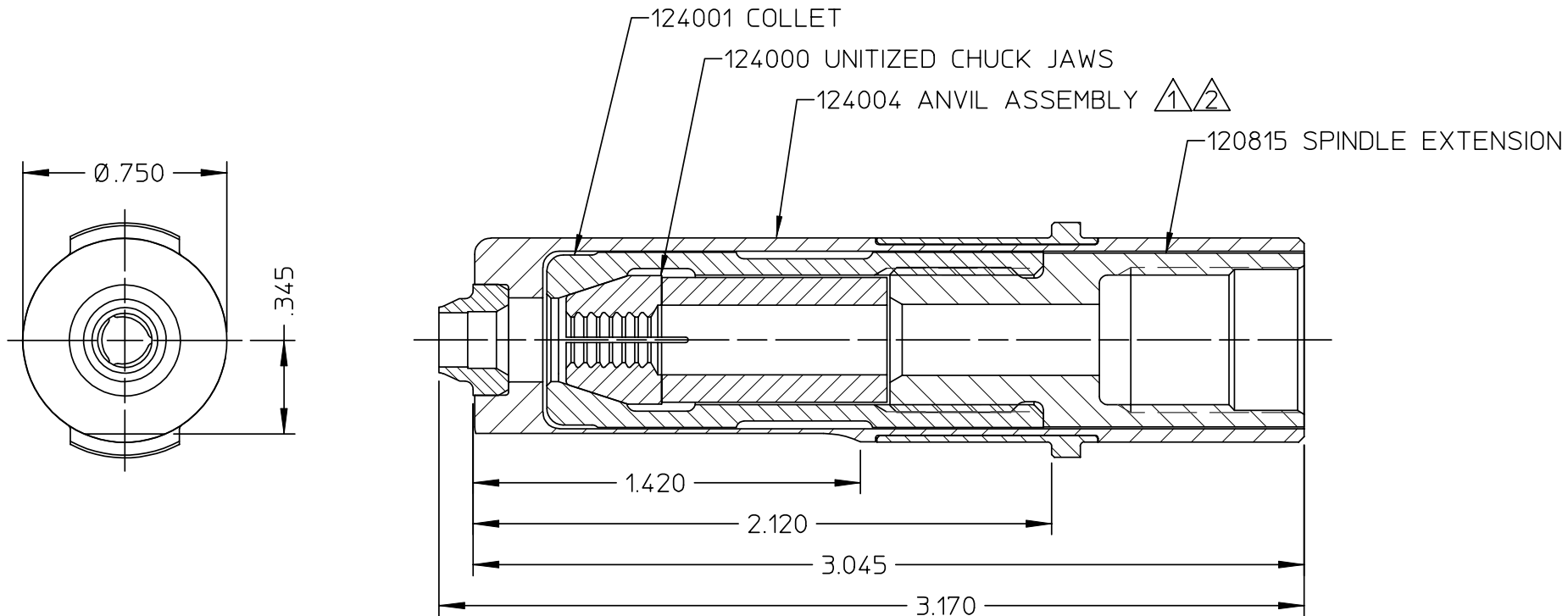


DATA SHEET



Alcoa Fastening Systems

Commercial Products
1 Corporate Drive, Kingston, NY 12401

NOSE TYPE:	NON-Self-RELEASING
FASTENER TYPE:	-08 BB
TOOL(S):	202, 212, 352, 2400, 2480

Notes:	Product Revision: A
US Patent:	Date: 06/17/03

NOTES:

- △ ANVIL ASSEMBLY 124004 CONSISTS OF:
ANVIL HOLDER ASSEMBLY 124003 AND
ANVIL INSERT 119377.
- △ ANVIL HOLDER ASSEMBLY 124003 CONSISTS OF:
ANVIL HOLDER 124002 AND
RETAINER 120738.

99-2713

Part Number