



# PRODUCT SPECIFICATION

**Model No : CST-5234M9/5235M9**

## Descriptions:

- 0.52 Inch Triad Digit Display
- CST-5234: Common Anode
- CST-5235: Common Cathode
- Emitting Color: Super Bright Yellow Green



| CUSTOMER APPROVED<br>SIGNATURES | APPROVED BY | CHECKED BY | PREPARED BY |
|---------------------------------|-------------|------------|-------------|
|                                 |             |            |             |

**CHINA SEMICONDUCTOR CORPORATION**

Address:2FL. NO.909,Chung-Cheng Road,  
Chung-Ho City Taipei Hsien,Taiwan.

Tel:886-2-2223-9696

Fax:886-2-2223-9377

**OPTO PLUS TECHNOLOGIES CO.,LTD**

Address:696 Shun jiang Rd.,Ji Shan St.Shaoxing,  
ZheJiang,China

Tel:86-0575-88623888

Fax:86-0575-88623112



|                  |                |
|------------------|----------------|
| <b>Spec. No.</b> | PS-ND-08090104 |
| <b>Rev.</b>      | A              |

**Model No : CST-5234/5235M9**

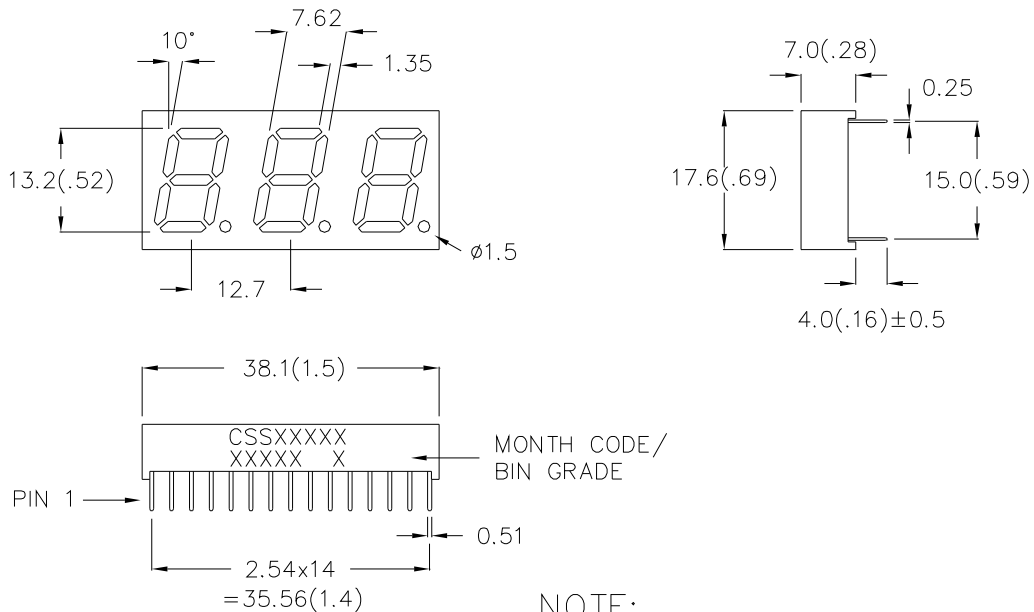
**Features -**

1. 0.52 inch (13.2mm) digit height.
2. Case mold type.
3. RoHS compliant.
4. Low power consumption.
5. Easy mounting on P.C. board or socket.

**Device Selection Guide -**

| Part No.          | Chip           |                            | Description           |
|-------------------|----------------|----------------------------|-----------------------|
|                   | Material       | Emitted Color              |                       |
| <b>CST-5234M9</b> | <b>AlGaInP</b> | <b>Super Bright Yellow</b> | <b>Common Anode</b>   |
| <b>CST-5235M9</b> |                | <b>Green</b>               | <b>Common Cathode</b> |

**Package Dimensions -**



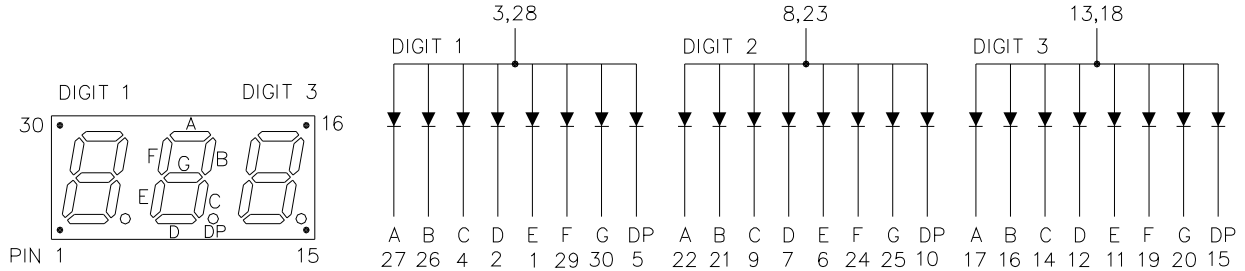
**NOTE:**

2. Dimension in millimeter (inch), and tolerance is  $\pm 0.25$  (.01) unless otherwise noted.



Model No : CST-5234/5235M9

Internal Circuit Diagrams -



CST-5234 Common Anode. (CST-5235 is Common Cathode.)

Absolute Maximum Rating -

(Ta=25°C)

| Parameter   | Symbol | Rating    | Unit  |
|---|--------|-----------|-------|
| Power Dissipation Per Dice  | PAD    | 70        | mW    |
| Continuous Forward Current Per Dice                                     | IAF    | 25        | mA    |
| Peak Current Per Dice(duty cycle 1/10, 1kHz)                            | IPF    | 90        | mA    |
| Derating Linear From 25°C Per Dice                                      | -      | 0.33      | mA/°C |
| Reverse Voltage Per Dice  | VR     | 5         | V     |
| Operating Temp.   | Topr   | -35 ~ +85 | °C    |
| Storage Temp.   | Tstg   | -35 ~ +85 | °C    |
| Solder temperature 1/16 inch below seating plane for 3 seconds at 260°C |        |           |       |



Model No : CST-5234/5235M9

■ Electro-optical Characteristics -

(Ta=25°C)

| Parameter                         | Symbol           | Min. | Typ. | Max. | Unit | Condition            |
|-----------------------------------|------------------|------|------|------|------|----------------------|
| Forward Voltage Per Segment       | V <sub>F</sub>   | -    | 2.1  | 2.8  | V    | I <sub>F</sub> =20mA |
| Luminous Intensity Per Segment    | I <sub>v</sub>   | -    | 10   | -    | mcd  | I <sub>F</sub> =10mA |
| Peak Emission Wavelength          | λ <sub>p</sub>   | -    | 572  | -    | nm   | I <sub>F</sub> =20mA |
| Dominant Wavelength               | λ <sub>d</sub>   | -    | 570  | -    | nm   | I <sub>F</sub> =20mA |
| Spectrum Radiation Bandwidth      | Δλ               | -    | 20   | -    | nm   | I <sub>F</sub> =20mA |
| Reverse Current                   | I <sub>R</sub>   | -    | -    | 100  | μA   | V <sub>R</sub> =5V   |
| Luminous Intensity Matching Ratio | I <sub>V-m</sub> | -    | -    | 2:1  | -    | I <sub>F</sub> =10mA |



Model No : CST-5234/5235M9

Typical Electrical / Optical Characteristics Curves -

(Ta = 25°C Unless Otherwise Noted)

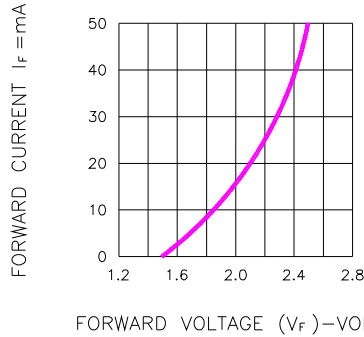


Fig.1 FORWARD CURRENT VS. FORWARD VOLTAGE

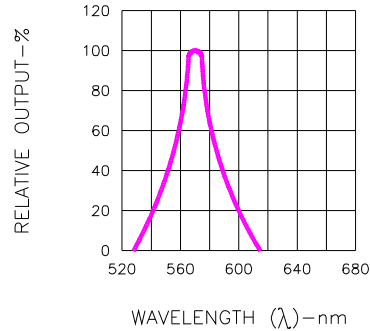


Fig.2 SPECTRAL RESPONSE

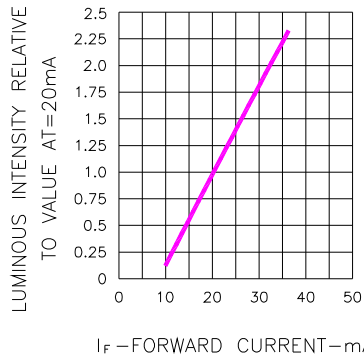


Fig.3 RELATIVE LUMINOUS INTENSITY VS. FORWARD CURRENT

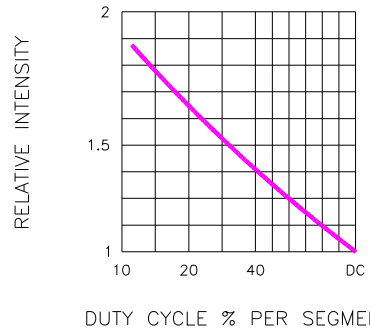


Fig.5 LUMINOUS INTENSITY VS. DUTY CYCLE

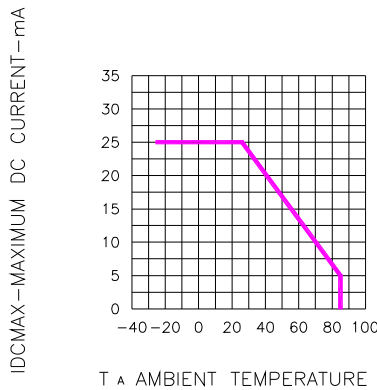


Fig.4 MAXIMUM ALLOWABLE DC CURRENT PER SEGMENT VS. A FUNCTION OF AMBIENT TEMPERATURE

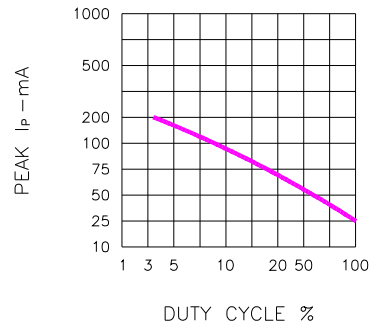


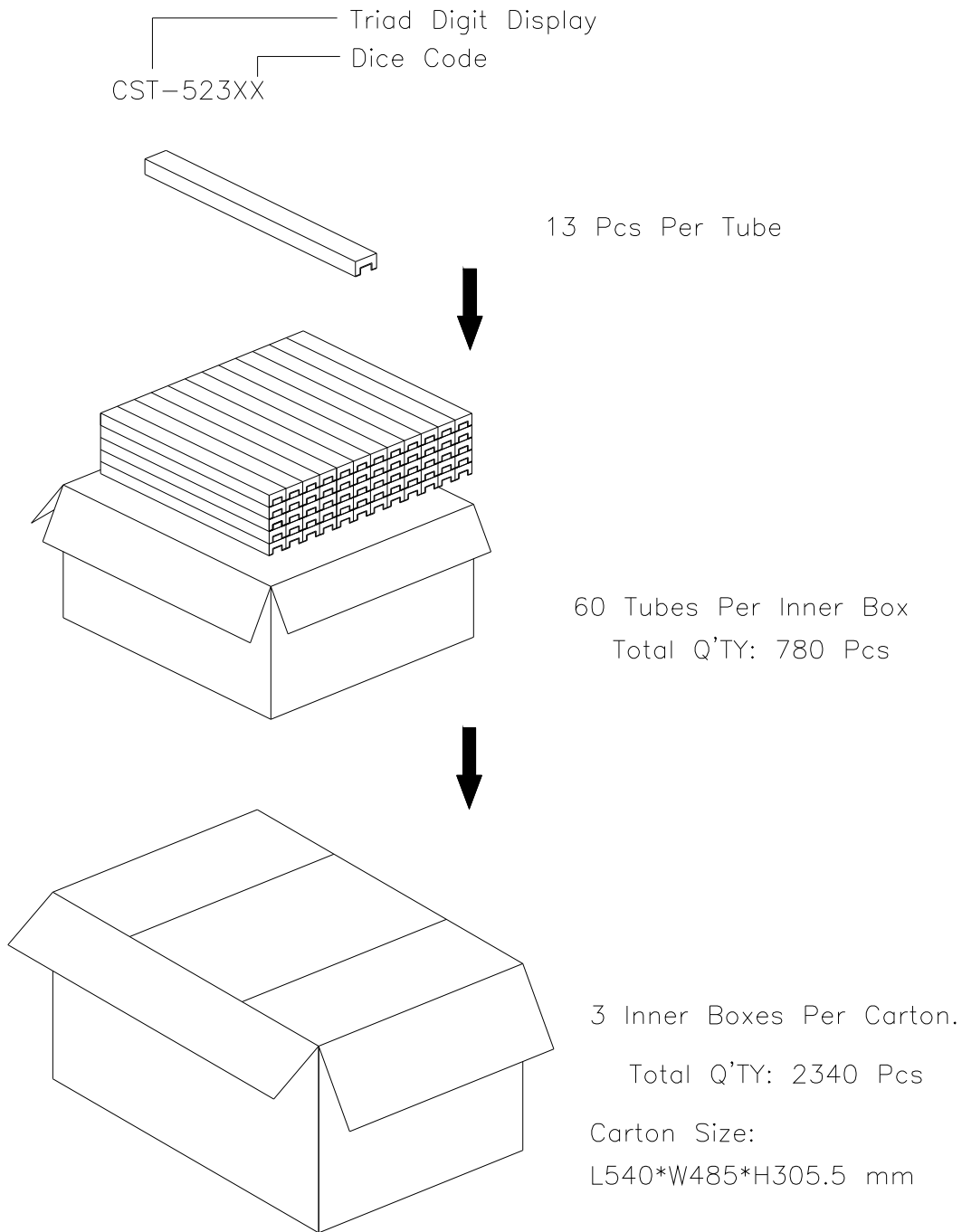
Fig.6 MAX PEAK CURRENT VS. DUTY CYCLE % (REFRESH RATE f=1 KHz)



|           |                |
|-----------|----------------|
| Spec. No. | PS-ND-08090104 |
| Rev.      | A              |

Model No : CST-5234/5235M9

■ Package Dimensions



Note: The specifications are subject to change without notice. Please contact us for updated information.