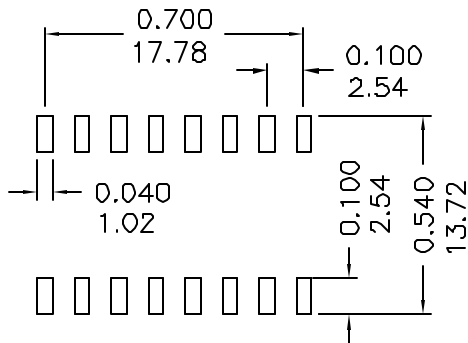
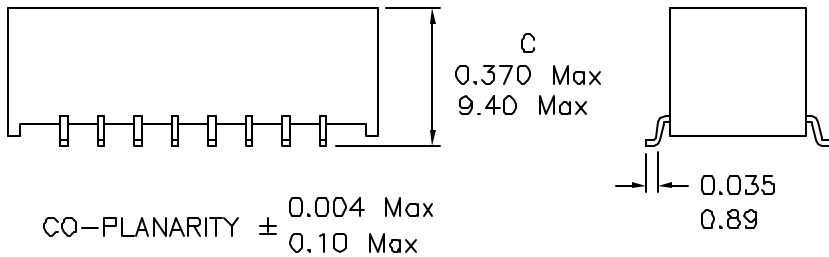
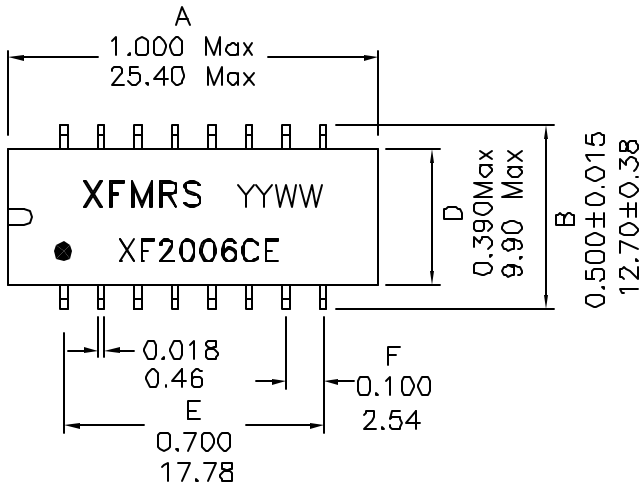


1. Dimensions:



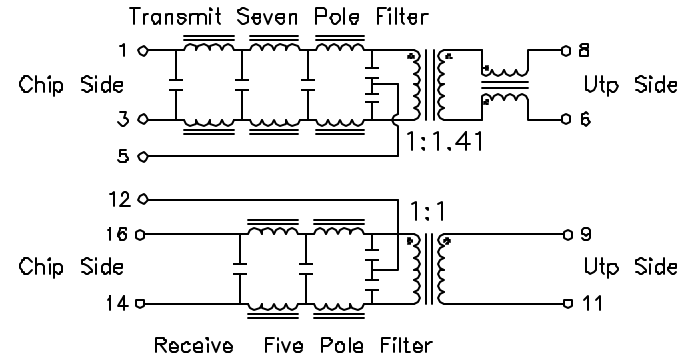
SUGGESTED FOOTPRINT

Notes:

1. Solderability: Leads shall meet MIL-STD-202, Method 20BD for solderability.
2. Flammability: UL94V-0
3. ASTM oxygen index: > 28%
4. Insulation System: Class F 155°C. UL file E151556
5. Operating Temperature Range: All listed parameters are to be within tolerance from -40°C to +85°C
6. Storage Temperature Range: -55°C to +125°C
7. Aqueous wash compatible
8. SMD Lead Coplanarity: ±0.004" (0.102mm)
9. Moisture Sensitivity: Level 3
10. Electrical and mechanical specifications 100% tested
11. RoHS Compliant Component

DOC REV A/12

2. Schematic:



3. Electrical Specifications: @25°C

- Turns ratio: TX: 1:1.41±3% RX: 1:1±3%
- Isolation Voltage: 1500VAC (INPUT/OUTPUT)
- Insertion Loss (1MHz-10MHz): 1.0dB Maximum
- Return Loss (5MHz-10MHz): 17dB Typ, 15dB Min. 98±13 Ohms
- For reference only: 17dB Typ, 15dB Min. 100 Ohms
- Attenuation (TX): -30dB Minimum @30 MHz, -27dB Min @40MHz, -27dB Min @100MHz
- Crosstalk: -35dB Min @5-10MHz
- Common mode rejection (TX): 5MHz, 10MHz, 50MHz, 100MHz, -40 -45 -35 -30dB Typ
- TRANSMIT IMPEDANCE: 50:100 OHMS
- RECEIVE IMPEDANCE: 100:100 OHMS
- PACKING: TAPE AND REEL, 250 UNITS PER REEL

PROPRIETARY Document is the property of XFMRs Group & is not allowed to be duplicated without authorization.

XFMRs Inc.	Title: 10 BASE-T FILTER	
	P/N: XF2006CE	REV. A
UNLESS OTHERWISE SPECIFIED TOLERANCES: .xxx ±0.010 Inch Dimensions in Inch/mm	DWN.	廖玉坤 Jan-26-05
	CHK.	李清儿 Jan-26-05
SHEET 1 OF 1	APP.	Joe Huff Jan-26-05