

## E-Series RF 1:4 Flux Coupled Step-up Transformer 1 — 350 MHz

MABA-007237-ETC410  
V2 P

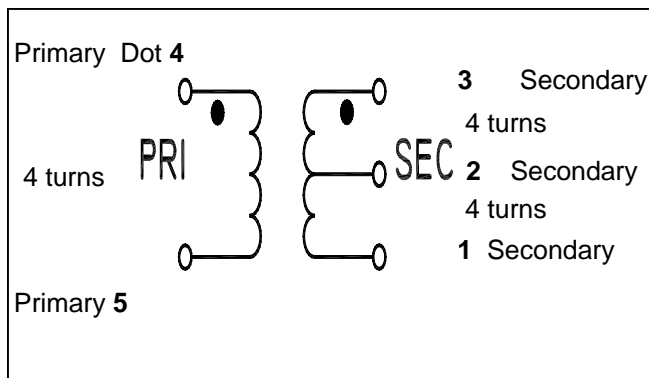
### Features

- Surface mount
- Wide frequency range
- 1:4 Impedance Ratio
- CT on Secondary
- Lead Free
- RoHS\* Compliant and is 260°C reflow compatible.
- Available on Tape and Reel, reel quantity 2000

### Description

M/A-COM's MABA-007237-ETC410 is a RoHS compliant 1:4 RF flux coupled step-up transformer in a low cost, surface mount package. Ideally suited for high volume cellular and wireless applications. Parts are packaged in tape & reel.

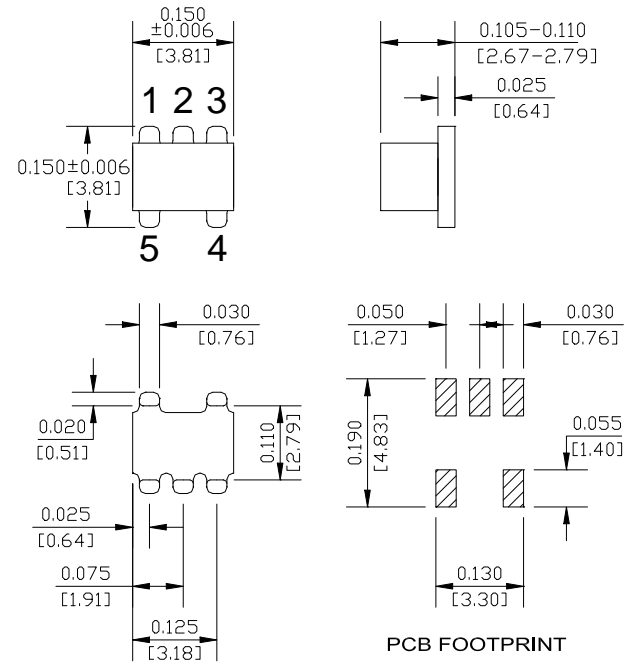
### Schematic



### Pin Configuration

Pin No.	Function
1	Secondary
2	Secondary CT
3	Secondary Dot
4	Primary Dot
5	Primary

### SM-22 package



### Ordering Information

Part Number	Package
MABA-007237-ETC410	2000 piece reel

Note: Reference Application Note M513 for reel size information.

### Absolute Maximum Ratings <sup>1,2</sup>

Parameter	Absolute Maximum
DC Power	250 mW
DC Current	30 mA
Operating Temperature	-40°C to +85°C
Storage Temperature	-55°C to +125°C

1. Exceeding any one or combination of these limits may cause permanent damage to this device.
2. M/A-COM does not recommend sustained operation near these survivability limits.

**This PRELIMINARY Data Sheet contains information regarding a product M/A-COM has under development. Performance is based on measured results and target specifications. Commitment to produce in volume is not guaranteed.**

\* Restrictions on Hazardous Substances, European Union Directive 2002/95/EC.

1

**ADVANCED:** Data Sheets contain information regarding a product M/A-COM Technology Solutions is considering for development. Performance is based on target specifications, simulated results, and/or prototype measurements. Commitment to develop is not guaranteed.  
**PRELIMINARY:** Data Sheets contain information regarding a product M/A-COM Technology Solutions has under development. Performance is based on engineering tests. Specifications are typical. Mechanical outline has been fixed. Engineering samples and/or test data may be available. Commitment to produce in volume is not guaranteed.

• **North America** Tel: 800.366.2266 • **Europe** Tel: +353.21.244.6400  
 • **India** Tel: +91.80.4155721 • **China** Tel: +86.21.2407.1588  
 Visit [www.macomtech.com](http://www.macomtech.com) for additional data sheets and product information.

M/A-COM Technology Solutions Inc. and its affiliates reserve the right to make changes to the product(s) or information contained herein without notice.

## E-Series RF 1:4 Flux Coupled Step-up Transformer 1 – 350 MHz

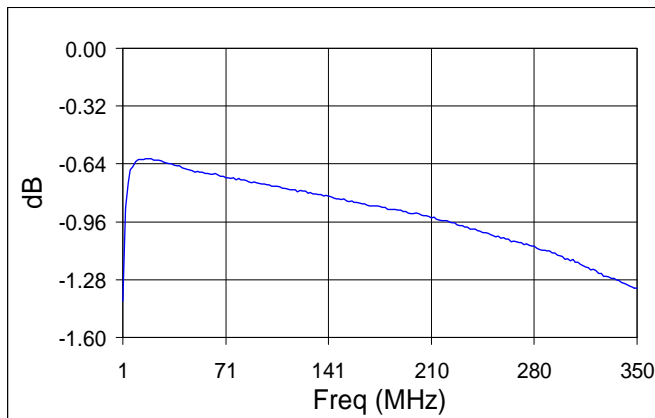
MABA-007237-ETC410  
V2 P

Electrical Specifications:  $T_A = 25^\circ\text{C}$ ,  $Z_0 = 50\Omega$  <sup>1</sup>

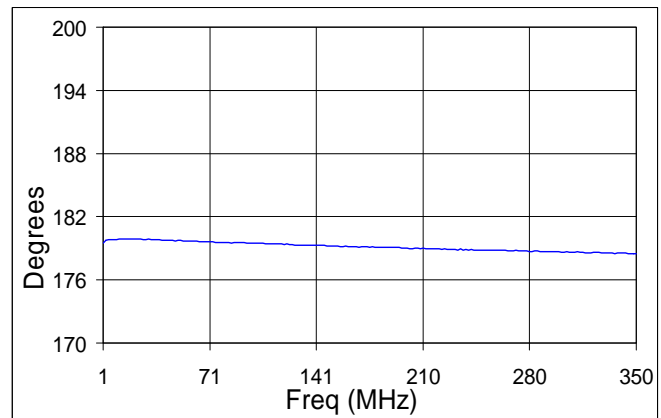
Parameter	Test Conditions	Frequency	Units	Min	Typ	Max
RF Frequency	—	1 - 350	MHz	—	—	—
Insertion Loss	$F_L - f_U$	5 - 100	dB	—	—	1.0
		2 - 300	dB	—	1.21	2.0
		1 - 350	dB	—	—	3.0
Amplitude Unbalance	—	5 - 100	dB	—	—	0.1
		1 - 350	dB	—	—	0.5
Phase Unbalance	—	5 - 100	Degrees	—	—	1.0
		1 - 350	Degrees	—	—	5.0

### Typical Performance Curves

#### Insertion Loss



#### Phase Unbalance



#### Amplitude Unbalance

