

MOBH and MOBZ Series / 1" Square, 14 pin DIP Compatible OCXO

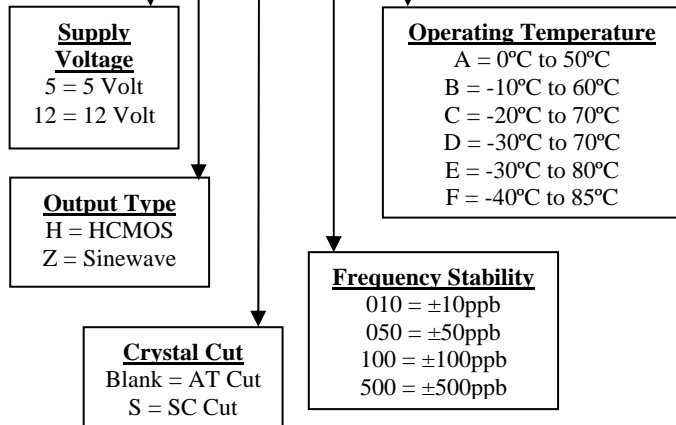


- Oven Controlled Oscillator
- 1.0 MHz to 150.0 MHz Available
- SC Crystal Option
- -40°C to 85° Available
- ±10ppb to ±500ppb



PART NUMBERING GUIDE:

MOB 5 H S 100 B – Frequency



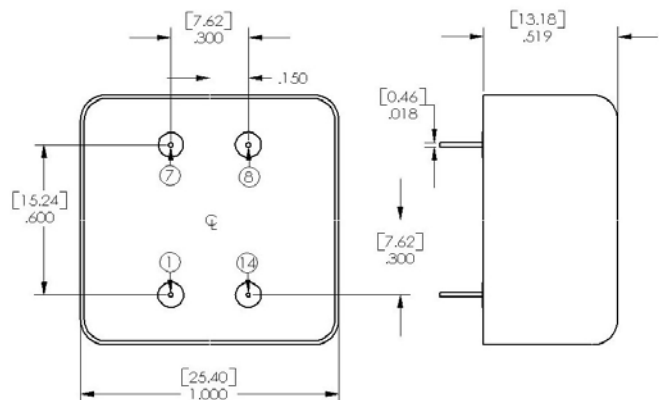
ELECTRICAL SPECIFICATIONS:

Frequency Range	1.0 MHz to 150.0MHz		
Frequency Stability	±10ppb to ±500ppb		
Operating Temperature	-40°C to 85°C max*		
* All stabilities not available, please consult MMD for availability.			
Storage Temperature	-40°C to 95°C		
Output	Sinewave	±3 dBm	50Ω
	HCMOS	10% Vdd max 90% Vdd min	30pF
Supply Voltage (Vdd)	5.0V	12.0V	
Supply Current	typ	300mA	120mA
	max	500mA	250mA
Warm-up Time	4min. @ 25°C		
Input Impedance	100K Ohms typical		
Crystal	AT or SC Cut options		
Phase Noise @ 10MHZ	SC	AT	
	10 Hz Offset	-105dBc	-91dBc
	100 Hz Offset	-125dBc	-120dBc
	1000 Hz Offset	-140dBc	-135dBc
	10K Hz Offset	-145dBc	-138dBc
Voltage Control 0 to VCC	±3ppm typ.	±10ppm typ.	
Aging (after 30 days)	±0.1ppm/yr.	±1.0ppm/yr.	

MECHANICAL DETAILS:

Pin Connections

Pin 1 = Vc
Pin 7 = Ground
Pin 8 = Output
Pin 14 = Supply Voltage



MMD Components, 30400 Esperanza, Rancho Santa Margarita, CA, 92688
 Phone: (949) 709-5075, Fax: (949) 709-3536, www.mmdcomponents.com
Sales@mmdcomp.com