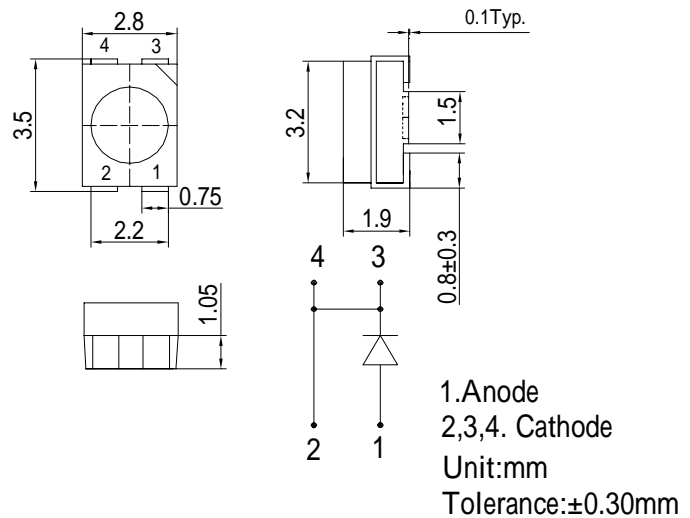


**■Features**

- Highest Luminous PLCC4 Power Top SMD LEDs
- Super energy efficiency
- Very long operating life (up to 100K hours)
- Superior ESD protection
- No UV

**■Applications**

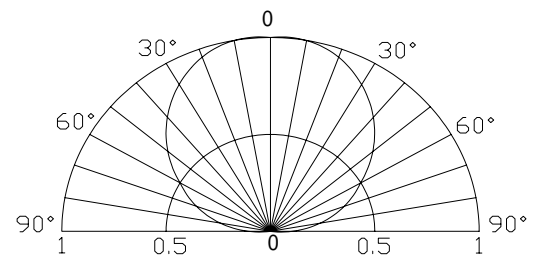
- Read lights (car, bus, aircraft)
- Portable (flashlight, bicycle)
- Bollards / Security / Garden
- Traffic signaling / Beacons
- In door / Out door Commercial lights
- Automotive Ext

**■Outline Dimension**

**■Absolute Maximum Rating**

(Ta=25 )

Item	Symbol	Value	Unit
DC Forward Current	$I_F$	120	mA
Pulse Forward Current*	$I_{FP}$	200	mA
Reverse Voltage	$V_R$	5	V
Power Dissipation	$P_D$	480	mW
Operating Temperature	$T_{opr}$	-30 ~ +85	
Storage Temperature	$T_{stg}$	-40~ +100	
Lead Soldering Temperature	$T_{sol}$	260 /5sec	-

\*Pulse width Max.10ms Duty ratio max 1/10

**■Directivity**

**Electrical -Optical Characteristics**

(Ta=25 )

Item	Symbol	Condition	Min.	Typ.	Max.	Unit
DC Forward Voltage	$V_F$	$I_F=70mA$	3.0	3.3	4.0	V
DC Reverse Current	$I_R$	$V_R=5V$	-	-	10	$\mu A$
Luminous Intensity	$I_v$	$I_F=70mA$	-	6000	-	mcd
Chromaticity Coordinates*	x	$I_F=70mA$	-	0.27	-	
	y	$I_F=70mA$	-	0.28	-	
50% Power Angle	$2\theta_{1/2}$	$I_F=70mA$	-	120	-	deg

 \*1 Tolerance of chromaticity coordinates is  $\pm 10\%$ 

 \*2 Tolerance of luminous intensity is  $\pm 15\%$