



STG3P3M25N60

3 Phase inverter IGBT - SEMITOP[®]3 module

PRELIMINARY DATA

General features

Type	V _{CES}	V _{CE(sat)} (Max) @ I _C =7A, T _s =25°C	I _C @80°C
STG3P3M25N60	600V	< 2.5V	25A

- N-channel very fast PowerMESH™ IGBT
- Lower on-voltage drop (V_{cesat})
- Lower C_{RES} / C_{IES} ratio (no cross-conduction susceptibility)
- Very soft ultra fast recovery antiparallel diode
- High frequency operation up to 70 KHz
- New generation products with tighter parameter distribution
- One screw mounting
- Compact design
- Semitop[®]3 is a trademark of Semikron

Description

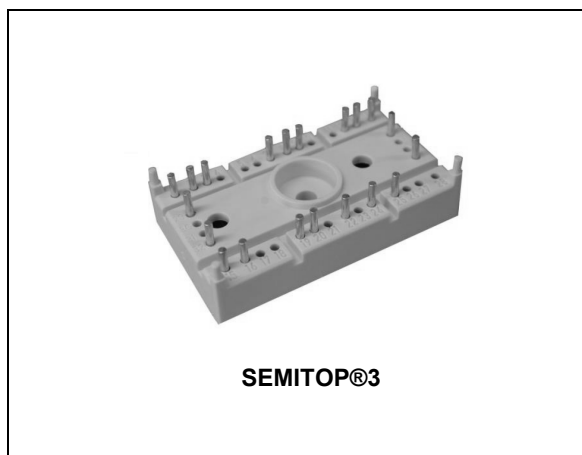
Using the latest high voltage technology based on a patented strip layout, STMicroelectronics has designed an advanced family of IGBTs, the PowerMESH™ IGBT, with outstanding performances.

Applications

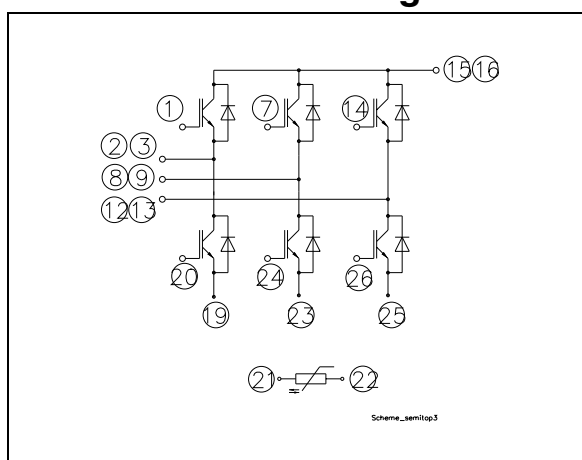
- High frequency inverters
- Motor drivers

Order codes

Sales Type	Marking	Package	Packaging
STG3P3M25N60	G3P3M25N60	SEMISTOP [®] 3	SEMIBOX



Internal schematic diagram



Contents

1	Electrical ratings	3
2	Electrical characteristics	4
	2.1 Typical characteristics (curves)	7
3	Test circuit	8
4	Package mechanical data	9
5	Revision history	11

1 Electrical ratings

Table 1. Absolute maximum ratings

Symbol	Parameter	Value	Unit
V_{CES}	Collector-emitter voltage ($V_{GS} = 0$)	600	V
$I_C^{(1)}$	Collector current (continuous) at $T_s = 25^\circ\text{C}$	50	A
$I_C^{(1)}$	Collector current (continuous) at $T_s = 80^\circ\text{C}$	25	A
V_{GE}	Gate-emitter voltage	± 20	V
$I_{CM}^{(2)}$	$T_P < 1\text{ms}; T_s = 25^\circ\text{C}$	100	A
I_{CM}	$T_P < 1\text{ms}; T_s = 80^\circ\text{C}$	50	A
I_F	Diode RMS forward current at $T_s = 25^\circ\text{C}$	19	A
P_{TOT}	Total dissipation at $T_s = 25^\circ\text{C}$	96	W
V_{ISO}	Insulation withstand voltage A.C. ($t=1\text{min/sec}; T_s=25^\circ\text{C}$)	2500/3000	V
T_{stg}	Storage temperature	- 40 to 125	$^\circ\text{C}$
T_j	Operating junction temperature	- 40 to 150	$^\circ\text{C}$

1. Calculated value
2. Pulse width limited by max. junction temperature

Table 2. Thermal resistance (for single IGBT)

Symbol	Parameter	Value	Unit
$R_{th(j-s)}$	Thermal resistance junction-sink ⁽¹⁾ Max.	1.3	K/W

1. Resistance value with conductive grease applied and maximum mounting torque equal to 2Nm

2 Electrical characteristics

($T_s=25^\circ\text{C}$ unless otherwise specified)

Table 3. IGBT-Inverter parameters

Symbol	Parameter	Test conditions	Min.	Typ.	Max.	Unit
$V_{BR(CES)}$	Collector-emitter breakdown voltage	$I_C = 1\text{mA}$, $V_{GE} = 0$	600			V
I_{CES}	Collector cut-off Current ($V_{GE} = 0$)	$V_{CE} = \text{Max rating}$, $t_s = 25^\circ\text{C}$ $V_{CE} = \text{max rating}$, $T_s = 125^\circ\text{C}$			10 1	μA mA
I_{GES}	Gate-emitter leakage current ($V_{CE} = 0$)	$V_{GE} = \pm 20\text{V}$, $V_{CE} = 0$			± 100	nA
$V_{GE(th)}$	Gate threshold voltage	$V_{CE} = V_{GE}$, $I_C = 250\mu\text{A}$	3.75		5.75	V
$V_{CE(sat)}$	Collector-emitter saturation voltage	$V_{GE} = 15\text{V}$, $I_C = 20\text{A}$ $V_{GE} = 15\text{V}$, $I_C = 20\text{A}$, $T_s = 125^\circ\text{C}$		1.85 1.7	2.5	V V

Table 4. Dynamic

Symbol	Parameter	Test conditions	Min.	Typ.	Max.	Unit
$g_{fs}^{(1)}$	Forward transconductance	$V_{CE} = 15\text{V}$, $I_C = 20\text{A}$		15		S
C_{ies}	Input capacitance	$V_{CE} = 25\text{V}$, $f = 1\text{MHz}$, $V_{GE} = 0$		2200		pF
C_{oes}	Output capacitance			225		pF
C_{res}	Reverse transfer capacitance			50		pF
Q_g	Total gate charge	$V_{CE} = 390\text{V}$, $I_C = 20\text{A}$,		100	140	nC
Q_{ge}	Gate-emitter charge	$V_{GE} = 15\text{V}$,		16		nC
Q_{gc}	Gate-collector charge	(see Figure 8)		45		nC

1. Pulsed: pulse duration=300 μs , duty cycle 1.5%

Table 5. Switching on/off

Symbol	Parameter	Test conditions	Min.	Typ.	Max.	Unit
$t_{d(on)}$ t_r $(di/dt)_{on}$	Turn-on delay time Current rise time Turn-on current slope	$V_{CC} = 300V, I_C = 20A$ $R_G = 33\Omega, V_{GE} = \pm 15V,$ $T_s = 25^\circ C$ (see Figure 9)		31 11 1600		ns ns A/ μs
$t_{d(on)}$ t_r $(di/dt)_{on}$	Turn-on delay time Current rise time Turn-on current slope	$V_{CC} = 300V, I_C = 20A$ $R_G = 33\Omega, V_{GE} = \pm 15V,$ $T_s = 125^\circ C$ (see Figure 9)		31 11.5 1500		ns ns A/ μs
$t_r(V_{off})$ $t_{d(off)}$ t_f	Off voltage rise time Turn-off delay time Current fall time	$V_{CC} = 300V, I_C = 20A$ $R_G = 33\Omega, V_{GE} = \pm 15V,$ $T_s = 25^\circ C$ (see Figure 9)		28 100 75		ns ns ns
$t_r(V_{off})$ $t_{d(off)}$ t_f	Off voltage rise time Turn-off delay time Current fall time	$V_{CC} = 300V, I_C = 20A$ $R_G = 33\Omega, V_{GE} = \pm 15V,$ $T_s = 125^\circ C$ (see Figure 9)		66 150 130		ns ns ns

Table 6. Switching energy (inductive load)

Symbol	Parameter	Test conditions	Min.	Typ.	Max.	Unit
$E_{on}^{(1)}$ $E_{off}^{(2)}$ E_{ts}	Turn-on switching losses Turn-off switching losses Total switching losses	$V_{CC} = 300V, I_C = 20A$ $R_G = 33\Omega, V_{GE} = \pm 15V,$ $T_s = 25^\circ C$ (see Figure 9)		220 330 550		μJ μJ μJ
$E_{on}^{(1)}$ $E_{off}^{(2)}$ E_{ts}	Turn-on switching losses Turn-off switching losses Total switching losses	$V_{CC} = 300V, I_C = 20A$ $R_G = 33\Omega, V_{GE} = \pm 15V,$ $T_s = 125^\circ C$ (see Figure 9)		450 770 1220		μJ μJ μJ

1. E_{on} is the turn-on losses when a typical diode is used in the test circuit in figure 2. If the IGBT is offered in a package with a co-pak diode, the co-pak diode is used as external diode. IGBTs & Diode are at the same temperature (25°C and 125°C)
2. Turn-off losses include also the tail of the collector current

Table 7. Collector-emitter diode

Symbol	Parameter	Test conditions	Min.	Typ.	Max.	Unit
V_f	Forward on-voltage	$I_f = 10A$ $I_f = 10A, T_s = 125^\circ C$		1.3 1.0	2.0	V V
t_{rr} t_a Q_{rr} I_{rrm} S	Reverse recovery time Reverse recovery charge Reverse recovery current Softness factor of the diode	$I_f = 20A, V_R = 40V,$ $T_s = 25^\circ C, di/dt = 100 A/\mu s$ (see Figure 4)		44 32 66 3 0.375		ns ns nC A
t_{rr} t_a Q_{rr} I_{rrm} S	Reverse Recovery Time Reverse recovery charge Reverse recovery current Softness factor of the diode	$I_f = 20A, V_R = 40V,$ $T_s = 125^\circ C, di/dt = 100A/\mu s$ (see Figure 4)		88 56 237 5.4 0.57		ns ns nC A

Table 8. Temperature sensor

Symbol	Parameter	Condictions	Min.	Typ.	Max.	Unit
R_{ts}	Equivalent resistance	5%, $T_r = 25 (100)^\circ C$		5000 (493)		Ω

2.1 Typical characteristics (curves)

Figure 1. Output characteristics at $T_s=25^\circ\text{C}$

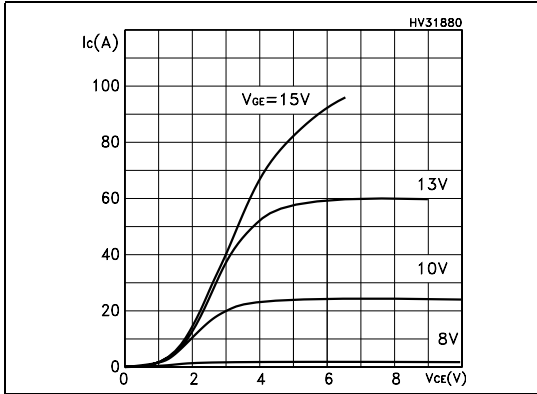


Figure 2. Output characteristics at $T_s=125^\circ\text{C}$

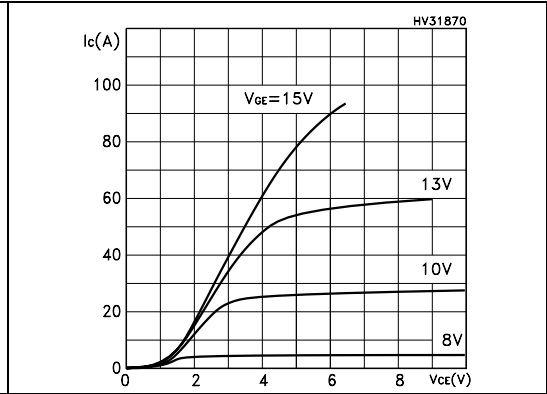


Figure 3. Capacitance variation

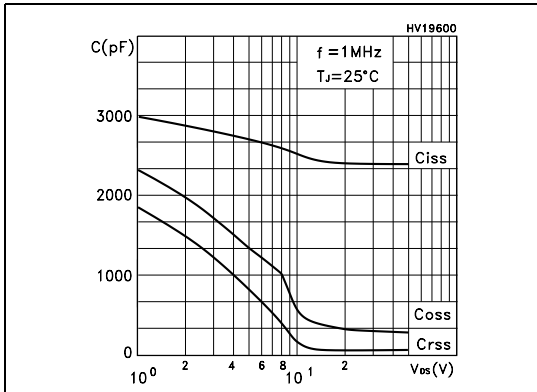


Figure 4. Gate charge vs gate-emitter voltage

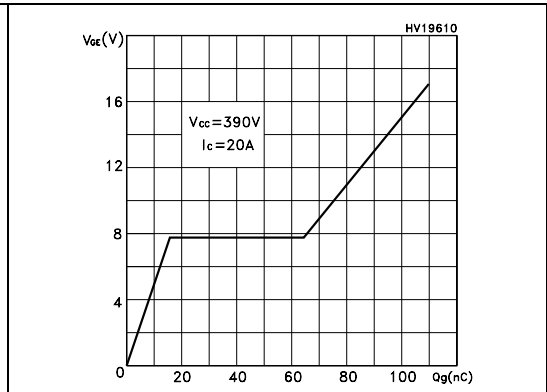


Figure 5. Total switching losses vs gate resistance

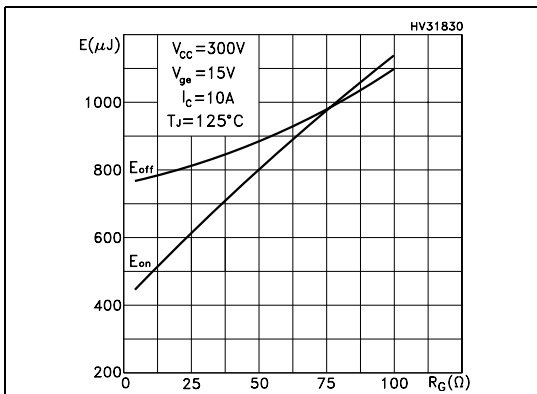
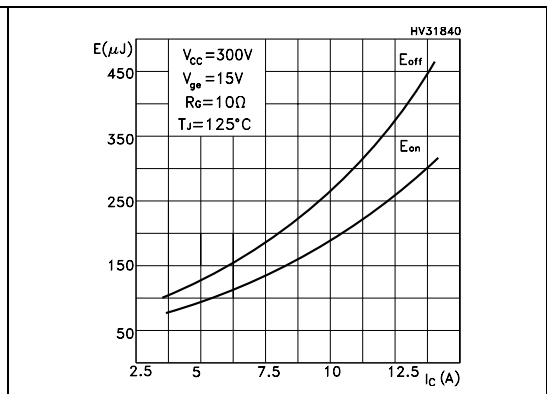


Figure 6. Total switching losses vs collector current



3 Test circuit

Figure 7. Test Circuit for Inductive Load Switching

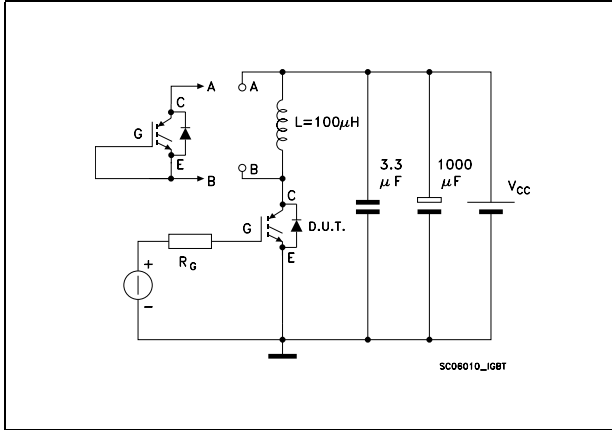


Figure 8. Gate charge test circuit

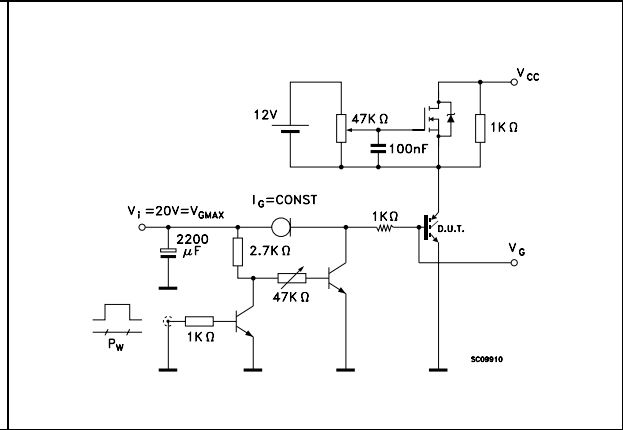


Figure 9. Switching Waveform

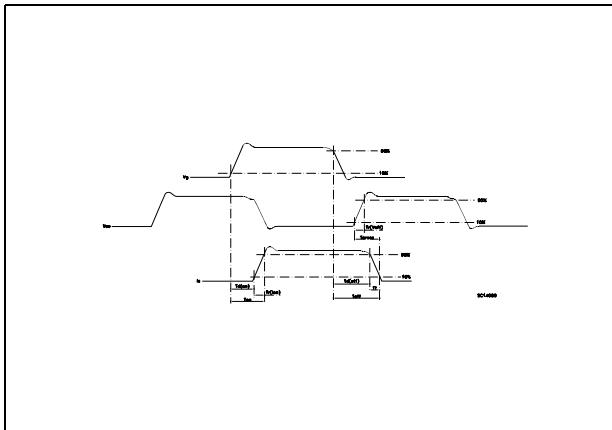
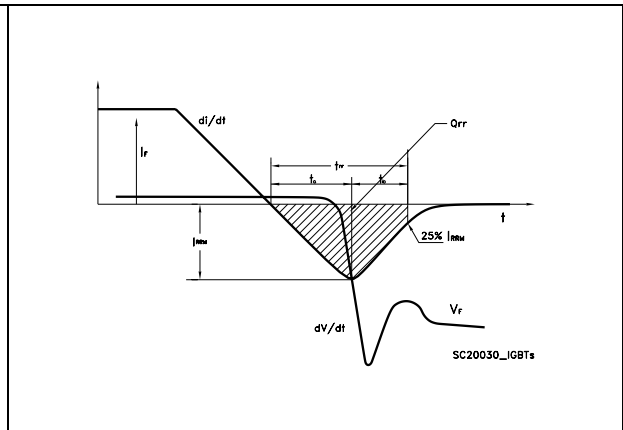


Figure 10. Diode Recovery Time Waveform



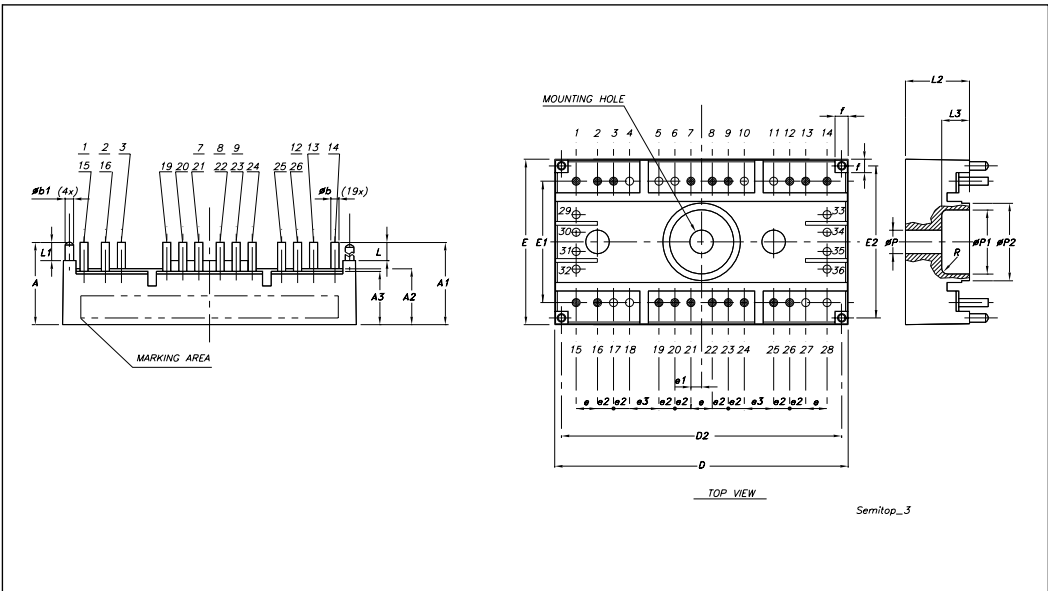
4 Package mechanical data

In order to meet environmental requirements, ST offers these devices in ECOPACK® packages. These packages have a Lead-free second level interconnect . The category of second level interconnect is marked on the package and on the inner box label, in compliance with JEDEC Standard JESD97. The maximum ratings related to soldering conditions are also marked on the inner box label. ECOPACK is an ST trademark. ECOPACK specifications are available at: www.st.com

SEMITOP®3 mechanical data

Dim	mm		
	Min	Typ	Max
A	15.30	15.50	15.70
A1	15.23	15.43	15.63
A2		10.50	
A3		10	
øb		1.50	
øb1		1.60	
D	54.70	55	55.30
D2		52.50	
E	30.70	31	31.30
E1	22.55	22.75	23
E2		28.50	
e	3.90	4	4.10
e1		2	
e2	2.90	3	3.10
e3	5.40	5.50	5.60
f		2.50	
L		3.43	
L1		3.50	
L2	11.80	12	12.20
L3		5.20	
øP	4.30	4.40	4.50
øP1		12	
øP2		14.50	
R		1	

SEMITOP®3 is a trademark of SEMIKRON



5 Revision history

Table 9. Revision history

Date	Revision	Changes
29-May-2006	1	Initial release.

Please Read Carefully:

Information in this document is provided solely in connection with ST products. STMicroelectronics NV and its subsidiaries ("ST") reserve the right to make changes, corrections, modifications or improvements, to this document, and the products and services described herein at any time, without notice.

All ST products are sold pursuant to ST's terms and conditions of sale.

Purchasers are solely responsible for the choice, selection and use of the ST products and services described herein, and ST assumes no liability whatsoever relating to the choice, selection or use of the ST products and services described herein.

No license, express or implied, by estoppel or otherwise, to any intellectual property rights is granted under this document. If any part of this document refers to any third party products or services it shall not be deemed a license grant by ST for the use of such third party products or services, or any intellectual property contained therein or considered as a warranty covering the use in any manner whatsoever of such third party products or services or any intellectual property contained therein.

UNLESS OTHERWISE SET FORTH IN ST'S TERMS AND CONDITIONS OF SALE ST DISCLAIMS ANY EXPRESS OR IMPLIED WARRANTY WITH RESPECT TO THE USE AND/OR SALE OF ST PRODUCTS INCLUDING WITHOUT LIMITATION IMPLIED WARRANTIES OF MERCHANTABILITY, FITNESS FOR A PARTICULAR PURPOSE (AND THEIR EQUIVALENTS UNDER THE LAWS OF ANY JURISDICTION), OR INFRINGEMENT OF ANY PATENT, COPYRIGHT OR OTHER INTELLECTUAL PROPERTY RIGHT.

UNLESS EXPRESSLY APPROVED IN WRITING BY AN AUTHORIZE REPRESENTATIVE OF ST, ST PRODUCTS ARE NOT DESIGNED, AUTHORIZED OR WARRANTED FOR USE IN MILITARY, AIR CRAFT, SPACE, LIFE SAVING, OR LIFE SUSTAINING APPLICATIONS, NOR IN PRODUCTS OR SYSTEMS, WHERE FAILURE OR MALFUNCTION MAY RESULT IN PERSONAL INJURY, DEATH, OR SEVERE PROPERTY OR ENVIRONMENTAL DAMAGE.

Resale of ST products with provisions different from the statements and/or technical features set forth in this document shall immediately void any warranty granted by ST for the ST product or service described herein and shall not create or extend in any manner whatsoever, any liability of ST.

ST and the ST logo are trademarks or registered trademarks of ST in various countries.

Information in this document supersedes and replaces all information previously supplied.

The ST logo is a registered trademark of STMicroelectronics. All other names are the property of their respective owners.

© 2006 STMicroelectronics - All rights reserved

STMicroelectronics group of companies

Australia - Belgium - Brazil - Canada - China - Czech Republic - Finland - France - Germany - Hong Kong - India - Israel - Italy - Japan - Malaysia - Malta - Morocco - Singapore - Spain - Sweden - Switzerland - United Kingdom - United States of America

www.st.com