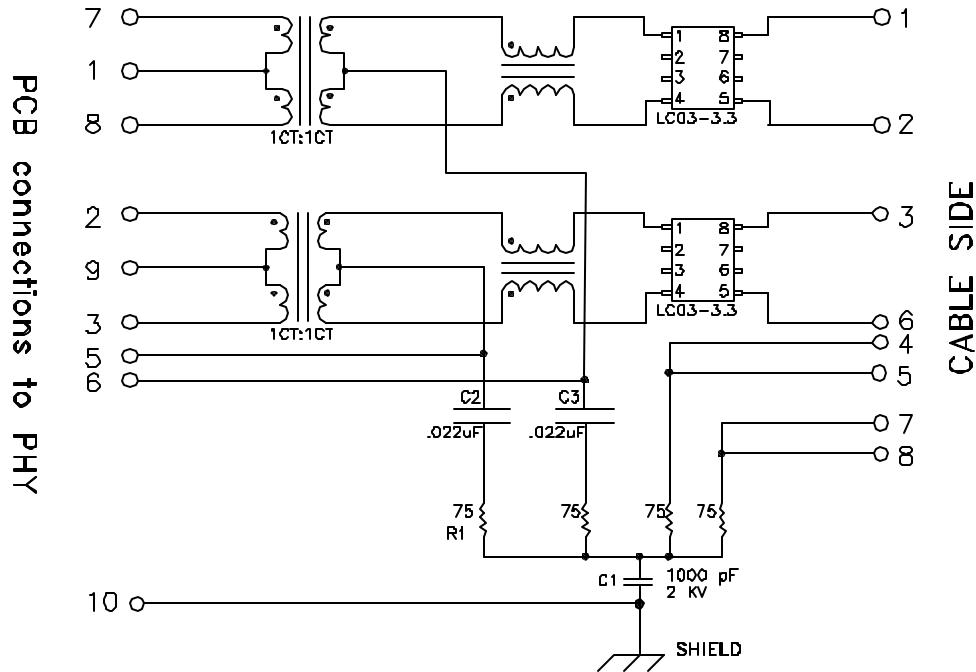
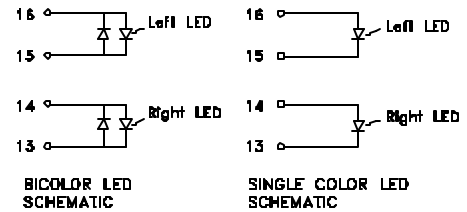


**Schematic:**



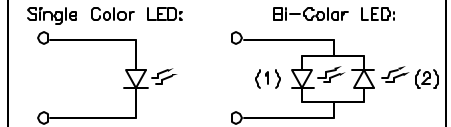
**Electrical Specifications: @25°C**

Isolation Voltage: 1500 VAc (Input to Output)  
 Turns Ratio: TX 1CT:1CT ±3% RX 1CT:1CT ±3%  
 Insertion Loss(TX/RX): -1.0dB Typ @1-100 MHz  
 Return Loss: 1-10MHz 30MHz 60-80MHz  
                   -20dB    -16dB    -12dB (Typ)  
 Cross Talk: 1-10MHz 30MHz 60-80MHz  
                   -40dB    -35dB    -30dB (Typ)  
 Common Mode Rejection: 1-50MHz 50-130MHz  
   -26dB    -20dB(Typ)  
 DC Current: 350mA



Complete the Combo P/N as follows:

Replace 'x' & 'u' in the part number with one of the LED color letters:  
 Y=Yellow                    X = Left LED Color  
 G=Green                    U = Right LED Color  
 A=Amber  
 R=Red  
 C=Green(1)/Amber(2) Bicolor  
 D=Amber(1)/Green(2) Bicolor  
 M=Green(1)/Yellow(2) Bicolor  
 N=Yellow(1)/Green(2) Bicolor  
 P=Red(1)/Green(2) Bicolor  
 Q=Green(1)/Red(2) Bicolor



**Notes:**

1. Solderability: Leads shall meet MIL-STD-202, Method 208D for solderability.
2. Flammability: UL94V-0
3. ASTM oxygen Index: > 28%
4. Insulation System: Class F 155°C. UL file E151556
5. Operating Temperature Range: All listed parameters are to be within tolerance from -40°C to +85°C
6. Storage Temperature Range: -55°C to +125°C
7. Aqueous wash compatible
8. SMD Lead Coplanarity: ±0.004\*(D.102mm)
9. Moisture Sensitivity: Level 2

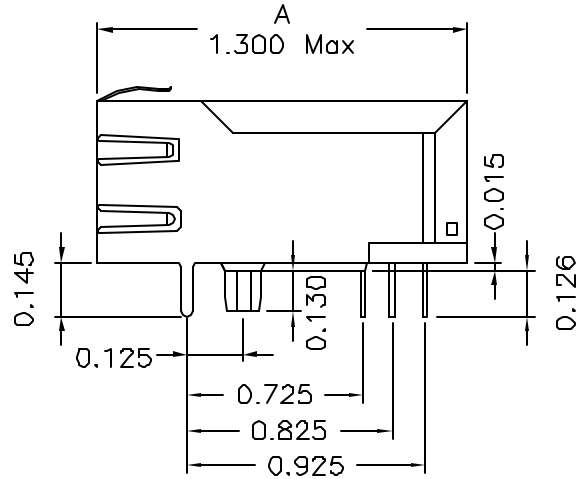
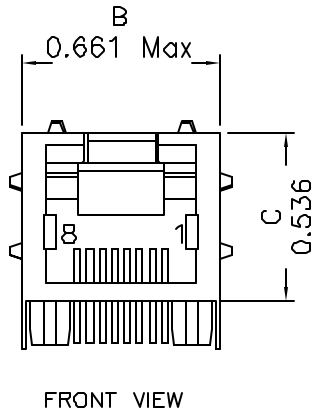
DOC. REV: A/1

<b>XFMRs Inc.</b>	Title: <b>SINGLE PORT COMBO</b>		
	UNLESS OTHERWISE SPECIFIED TOLERANCES: .xxx ±0.010 Dimensions in Inch	P/N: XFV0IP5QTVS-CTxu1-4L	REV. A
SHEET 1 OF 2	DWN.	Juan Mao	Jul-22-04
	CHK.	YK Liao	Jul-22-04
	APP.	J Ng	Jul-22-04

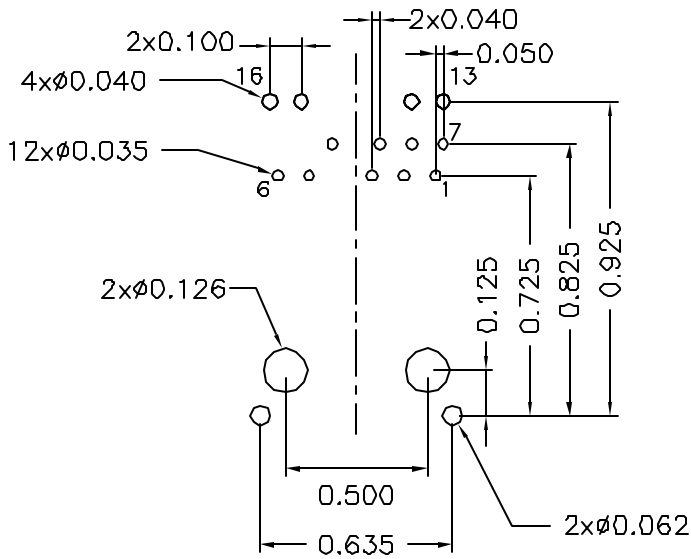
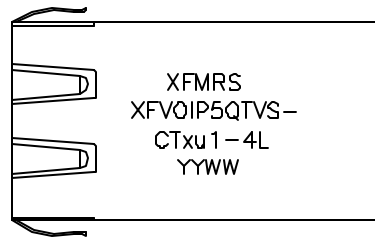
**PROPRIETARY:**

Document is the property of XFMRs Group & is not allowed to be duplicated without authorization.

**Mechanical Dimensions:**



**Mounting Pattern:**



DOC REV: A/1

<b>XFMRS Inc.</b>		Title: Mechanical Dimensions For TAB UP RJ45 COMBO	
UNLESS OTHERWISE SPECIFIED TOLERANCES: .xxx ±0.010 Dimensions in Inch		P/N: XFV0IP5QTVS-CTxu1-4L	REV. A
DWN.	罗振江	Jul-22-04	
CHK.	廖玉坤	Jul-22-04	
SHEET 2 OF 2	APP.	J Ng	Jul-22-04

**PROPRIETARY:**

Document is the property of XFMRS Group & is not allowed to be duplicated without authorization.