

# AC TO DC LED DRIVER

## BPHE005CXXX Series Class 2 Power unit



### FEATURES

- ◆ Suitable for Hi-Power LED Lighting Applications.
- ◆ Universal AC Input /Full range
- ◆ DC Output with Constant Current
- ◆ Safety: UL1310; EN60950-1; CB
- ◆ EMC: CE; EN55022; EN55024
- ◆ Comply with Indoor/Outdoor Waterproof (IP 67)
- ◆ MTBF: 100,000 hrs/25°C
- ◆ High Reliability

### Electrical Specifications @25°C

<b>Input</b>	Voltage range	100~240Vac
	Frequency range	50/60Hz
	Efficiency (Typ.)	63%~75%
	AC current	0.18A (Max.)
	Inrush current	30A/230Vac cold start
	Leakage current	0.7mA/264Vac/60Hz
<b>Function</b>	<b>Protection</b>	<b>Short-circuit ;OVP; OTP;Constant Current</b>
<b>Environment</b>	Operating ambient Temp.	-20°C ~+60°C
	Operating relative Hum.	Comply with indoor/outdoor waterproof (IP67)
	Storage ambient Temp.	-40°C ~+80°C
	Storage relative Hum.	Comply with indoor/outdoor waterproof (IP67)
<b>Others</b>	MTBF	100,000 hrs/25°C
	Safety & EMC	UL1310; EN60950-1; CB & CE; EN55022; EN55024
	RoHS	YES
	Dimension (mm) L*W*H	66.5*35*23.5(with screw hold)

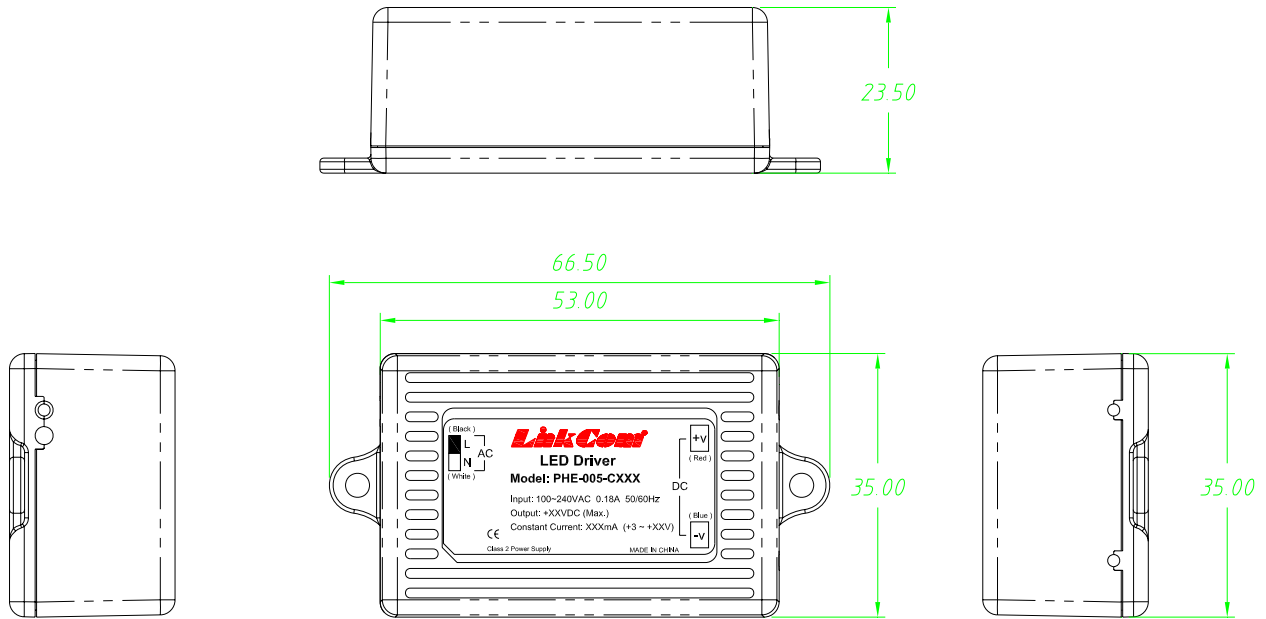
### BPHE005Cxxx Series List

Model No.	DC Output Voltage	DC Output Current	Watt Max.	Remark
BPHE005C201	3~25V	200mA	5.0W	
BPHE005C301	3~18V	300mA	5.4W	
BPHE005C351	3~15V	350mA	5.3W	
BPHE005C401	3~12V	400mA	4.8W	
BPHE005C501	3~10V	500mA	5.0W	
BPHE005C601	3~7V	600mA	4.2W	
BPHE005C701	3~7V	700mA	4.9W	
BPHE005C751	3~5V	750mA	3.8W	
BPHE005C801	3~5V	800mA	4.0W	

# AC TO DC LED DRIVER

## BPHE005CXXX Series Class 2 Power unit

### DIMENSIONS [mm]



Unit: mm