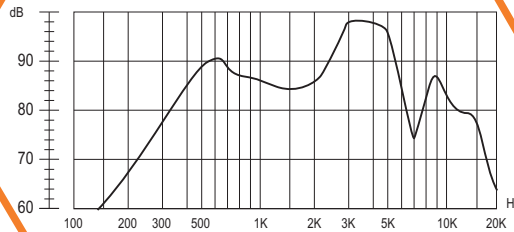
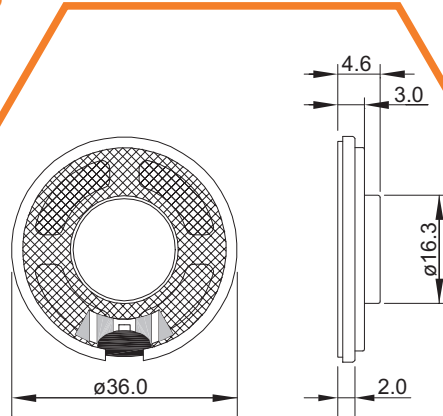


SoniCrest SPEAKER SOUND GENERATORS

HSB36S



Dimension

Unit : mm
Tolerance : ± 0.3 mm

Frequency Response

Normalized to 1W Input Power and
1m Measuring Distance

- **Specification** (all data taken at 25°C unless otherwise specified)

Coil Impedance (Ω)	Rated Power (W)	Maximum Input Power (W)	Resonance Frequency (Hz)	★Frequency Range (Hz)	★sound Output at 1kHz (dB)	Operating Temperature (°C)	Storage Temperature (°C)
8 \pm 15%	1	1.2	550 \pm 20%	550 ~ 11000	85 \pm 3	-30 ~ +60	-30 ~ +60

HSB36S-8

The specification are only for 8 Ω version. Specification for other impedance is available upon request.
★value normalized to 1W input power and 1m measuring distance.