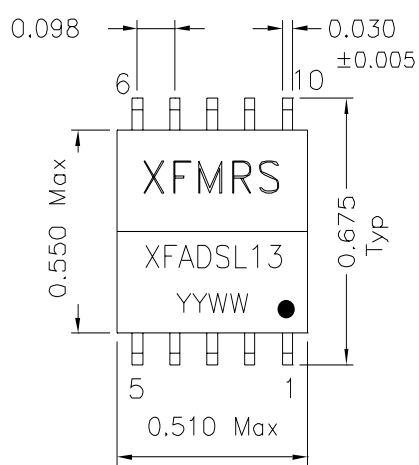
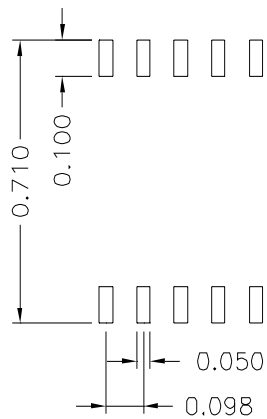


1. Dimensions:



CO-PLANARITY: 0.004 Max

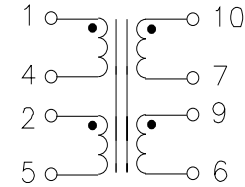


Suggested PCB Layout

Note: Designed to meet UL1950 Supplementary Insulation requirements for a working voltage up to 250V.

2.Schematic:

Chip Side Line Side



3.Electrical Specifications: @25°C

Isolation: 2000Vrms

PIN10-6 OCL: 475uH±5% @10KHz 100mV

(CONNECT PIN7-9)

URNS RATIO: (10-6):(1-5)=1.41CS:1CS ±2%

DCR: 1-4,2-5 0.45 Ohms Max (each)

DCR: 10-7,9-6 0.55 Ohms Max (each)

Leakage L: 10-6 10uH Max @ 100KHz, 0.1V

(Short Pins 1-5,2-4,7-9)

Long. Bal.: 25KHz-1.1MHz 40dB Min

THD: -90dB @100KHz Max 5.3V (15Vp-p)

Insertion Loss: 1.0dB Max @100KHz

DOC. REV A/1

XFMRS Inc		Title: ADSL TRANSFORMER	
UNLESS OTHERWISE SPECIFIED		P/N: XFADSL13	REV. A
TOLERANCES:		DWN.	李清儿 Jun-14-98
.xxx ±0.010		CHK.	孙悦 Jun-14-98
Dimensions in INCH		APP.	Joe Huff Jun-15-98
SHEET 1 OF 1			