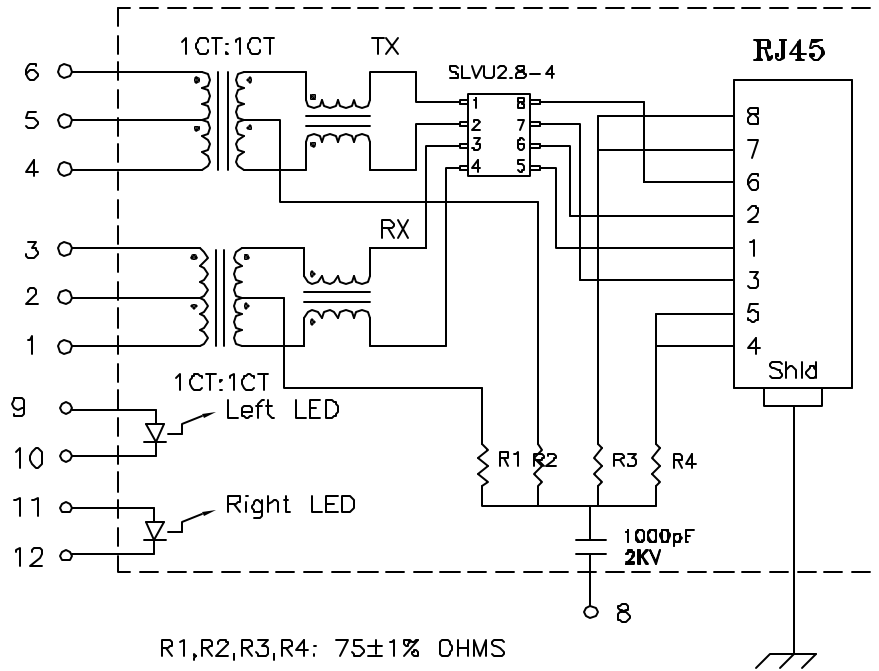


Schematic:



Electrical Specifications: @25°C

- Isolation Voltage: 1500 Vrms (Input to Output)
- Isolation Voltage: 500 Vrms (P1+2+3 to P4+5+6)
- Turns Ratio: TX 1CT:1CT ±3% RX 1CT:1CT ±3%
- CABLE SIDE OCL: 350uH Minimum @100KHz 100mV 8mADC
- Cw/w: 27pF Typical @100KHz 100mV
- Insertion Loss (300KHz-100MHz): -1.0dB Maximum
- Return Loss: @30MHz -18dB Minimum
- @80MHz -12dB Minimum

Note:

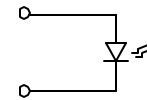
1. Solderability: Leads shall meet MIL-STD-202, Method 208D for solderability.
2. Flammability: UL94V-0,
3. ASTM oxygen index: > 28% ,
4. Temperature rating: 155°C. UL file E151556,
5. Operating Temperature Range: -40°C to +85°C

Complete the Combo P/N as follows:

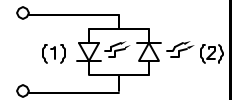
Replace 'x' & 'u' in the part number with one of the LED color letters:

- Y=Yellow
- G=Green
- A=Amber
- R=Red
- N=Yellow(1)/Green(2) Bicolor
- M=Green(1)/Yellow(2) Bicolor
- 'x' = Left LED Color
- 'u' = Right LED Color

Single Color LED:



Bi-Color LED:



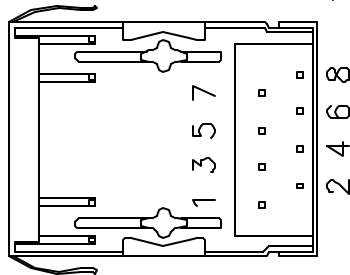
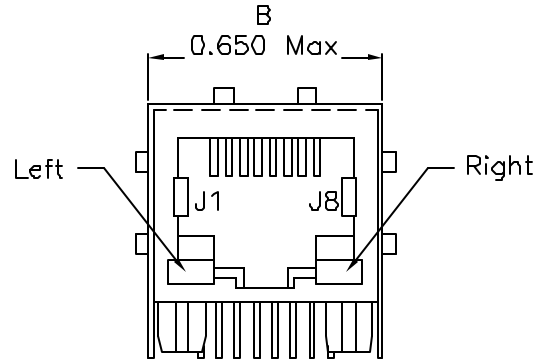
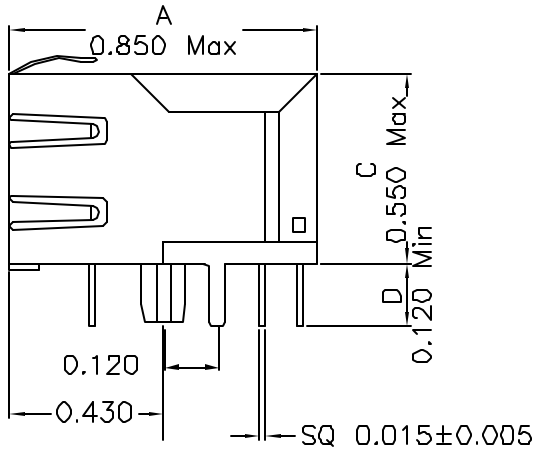
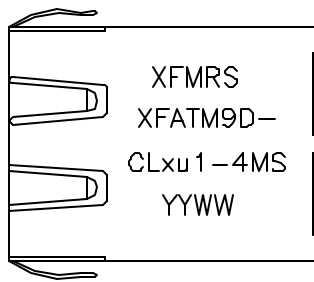
DOC. REV: A/5

<p>XFMRs Inc.</p> <p>UNLESS OTHERWISE SPECIFIED TOLERANCES: .xxx ±0.010</p> <p>Dimensions in Inch</p> <p>SHEET 1 OF 2</p>	Title: SINGLE PORT COMBO		
	P/N: XFATM9D-CLxu1-4MS		REV. A
	DWN.	李清儿	May-28-04
	CHK.	孙心	May-28-04
	APP.	Joe Huff	May-28-04

PROPRIETARY:

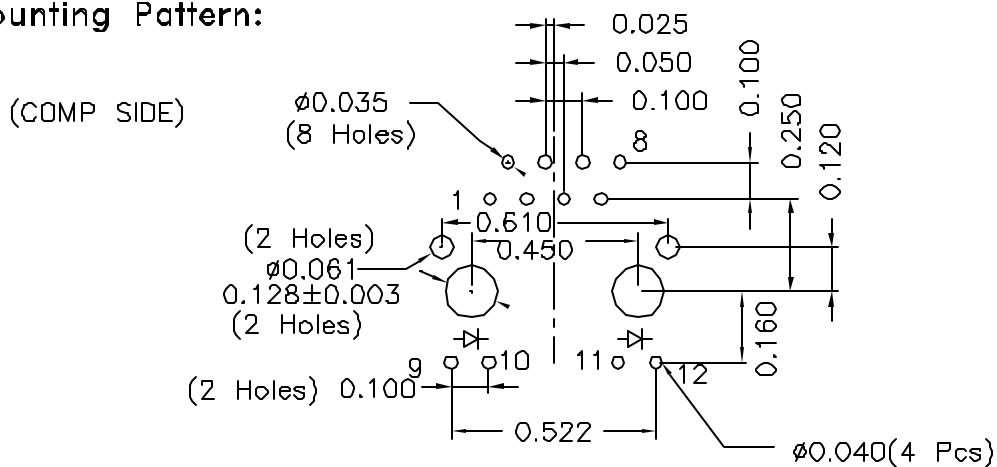
Document is the property of XFMRs Group & is not allowed to be duplicated without authorization.

Mechanical Dimensions:



(BOTTOM VIEW)

Mounting Pattern:



DOC. REV: A/5

XFMRS Inc.	Title: Mechanical Dimensions For CLxu1-4MS Series		
	UNLESS OTHERWISE SPECIFIED TOLERANCES: .xxx ±0.010 Dimensions in Inch	P/N: XFATM9D-CLxu1-4MS	REV. A
	DWN.	李小锋	May-28-04
	CHK.	廖玉坤	May-28-04
SHEET 2 OF 2	APP.	Joe Huff	May-28-04

PROPRIETARY:

Document is the property of XFMRS Group & is not allowed to be duplicated without authorization.