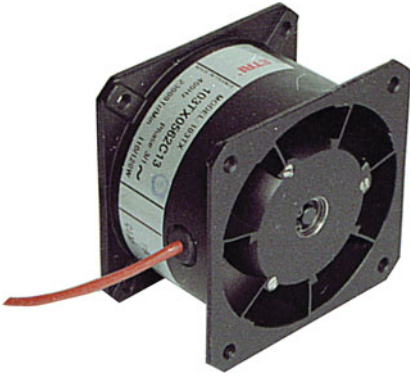
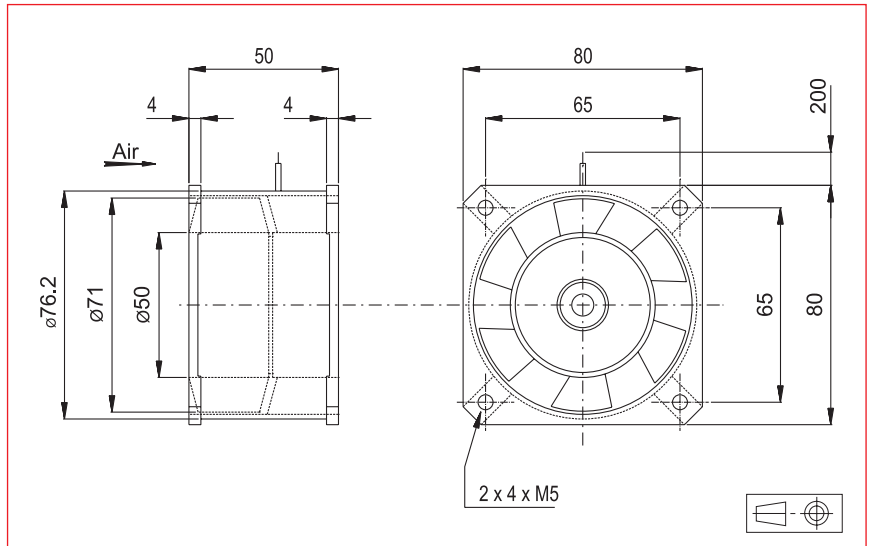


400Hz Fans



Approvals

NATO codification



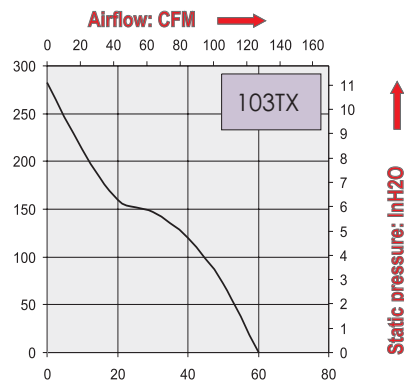
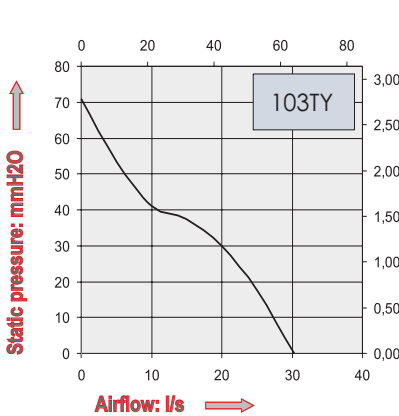
Life expectancy

L-10 LIFE AT 40°C:
25 000 hours

400 Hz Motor

Housing material: aluminium
Impeller material: aluminium
Weight: 480 g
Bearing system: ball bearings

Connection: flying leads



Part Number	Nominal voltage	Airflow	Noise level	Nominal speed	Phases	Capacitor (not included)	Input power	Nominal Current	Starting Current	Operating temperature	
	V									l/s	dB(A)
103TY0562C13	115	30	65	11400	3		19	160	460	-10	70
	115	30	65	11400	1	0,69	21	180	390	-10	70
103TY0560C13	200	30	65	11400	3		19	95	270	-10	70
	200	30	65	11400	1	0,22	21	105	230	-10	70
103TX0562C13	115	60	80	23000	3		110	690	3300	-10	70
	115	60	80	23000	1	3,2	120	1050	2800	-10	70
103TX0560C13	200	60	80	23000	3		110	400	1900	-10	70
	200	60	80	23000	1	1	120	580	1600	-10	70

Additional versions:

Salt spray protected - Shock and vibration protected - Marine specifications - Wide temperature range

Accessories:

Refer to Accessories leaflet