

DC COOLING FAN

60x60x15mm

- Voltage: 5 & 12 VDC
- Bearing options: Ball, Sleeve or Oil Bearing
- Material on housing: Plastic Housing to UL94V-0
- Airflow range: 13.5 - 16.6 CFM
- Suitable for Small Space Cooling
- Spot Cooling



SPECIFICATION

Part No.	Bearing	Voltage(V)	Current(A)	Power(W)	Speed(RPM)	Air flow(CFM)	Pressure(mmAq)	Noise(dB/A)	Weight(g)
DBF6015x05H	Ball, Sleeve, Oil	5	0.37	1.85	4500	16.6	3.86	32.4	39
DBF6015x05M	Ball, Sleeve, Oil	5	0.25	1.25	3900	14.2	3.00	28.8	39
DBF6015x05L	Ball, Sleeve, Oil	5	0.20	1.00	3500	13.5	2.30	27.6	39
DBF6015x12H	Ball, Sleeve, Oil	12	0.13	1.56	4500	16.6	3.86	32.4	39
DBF6015x12M	Ball, Sleeve, Oil	12	0.11	1.32	3900	14.2	3.00	28.8	39
DBF6015x12L	Ball, Sleeve, Oil	12	0.06	0.72	3500	13.5	2.30	27.6	39

Impeller: Plastic (UL;94V-0)

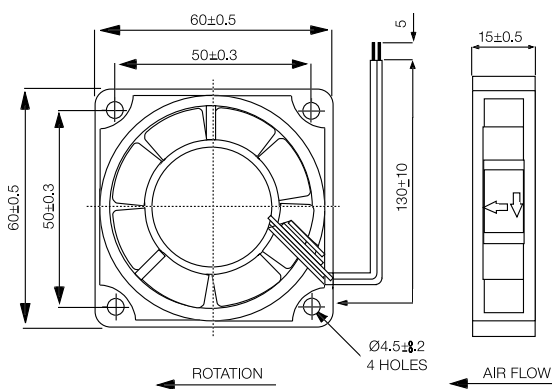
Lead Wire: UL2468 AWG26

Protection: Current Limit

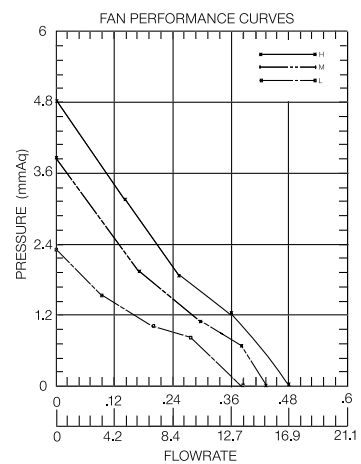
Operating Temp:-10° to 70 °C

SECTION 12

EXTERNAL DIMENSIONS



PERFORMANCE CURVE



ORDERING INFORMATION

DBF	6015	B	12	H	
Dubilier Fans	Size 60x60x15mm	Bearing B=Ball S=Sleeve G=Oil	Voltage 05=05vdc 12=12vdc	Airflow H=High M=Medium L=Low	Options Blank=Standard A=Alarm Lead S=Speed Sensor T=Twin Speed Other options available