

# J Series Surface Mount LEDs

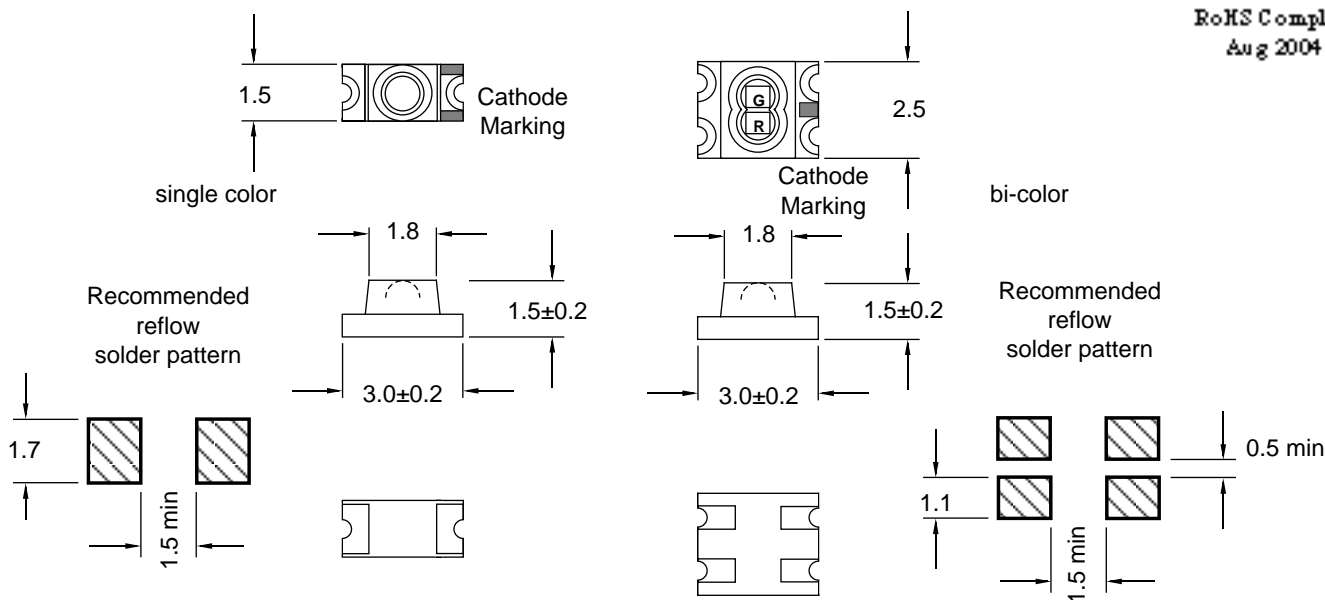
## 0118 Series "1206" Package with narrow viewing angle



The 0118 series lamps are miniature chip type designed for surface mounting. These lamps are of the so-called 1206 size, measuring approximately 1.5x3 mm (single color) and 2.5x3 mm (bi-color). These lamps are in EIA481 tape and reel packaging with approximately 2000 pieces per reel.



RoHS Compliant  
Aug 2004



### GENERAL INFORMATION

Operating Temperature Range	-40 °C to +85 °C
Storage Temperature Range	-40 °C to +90 °C
Reflow Soldering Temperature	260 °C for 5 sec max

### APPLICATION INFORMATION (ALL RATINGS AT 25 °C AMBIENT)

Part No.	Emitted Color	Peak		Absolute Maximum Ratings					E/O Characteristics					
		$\lambda$	$\Delta\lambda$	Pd	If (mA)		Ir	Vr	Iv (mcd) @ If=20mA			Vf (V) @ If=20mA		2 $\Theta_{1/2}$
		(nm)	(nm)		dc	1/10 duty @ 1 kHz			@ Vr=5V ( $\mu$ A)	2mA	Min	Typ	Min	
JRC0118	Red	632	20	60	25	160	10	5	4	29	71	2.0	2.4	20
JGC0118	Green	575	20	60	25	160	10	5	2	19	29	2.0	2.4	20
JYC0118	Yellow	591	15	60	25	160	10	5	4	29	73	2.0	2.4	20
JOC0118	Orange	621	18	60	25	160	10	5	4	29	73	2.0	2.4	20
JEC0118	OrRed	639	20	60	25	160	10	5	3	27	57	2.0	2.4	20
JYOC0118	YelOrng	611	17	60	25	160	10	5	4	29	73	2.0	2.4	20
JRGC0118	Red	632	20	60	25	160	10	5	4	29	71	2.0	2.4	20
	Green	575	20	60	25	160	10	5	2	19	29	2.0	2.4	20
JEGC0118	OrRed	639	20	60	25	160	10	5	3	27	57	2.0	2.4	20
	Green	575	20	60	25	160	10	5	2	19	29	2.0	2.4	20

Specifications subject to change without notice. Dimensions are in mm±0.3 unless stated otherwise.

IDEA, Inc., 1351 Titan Way, Brea, CA 92821 Ph:714-525-3302, 800-LED-IDEA; Fax: 714-525-3304 0508

013S-J0118