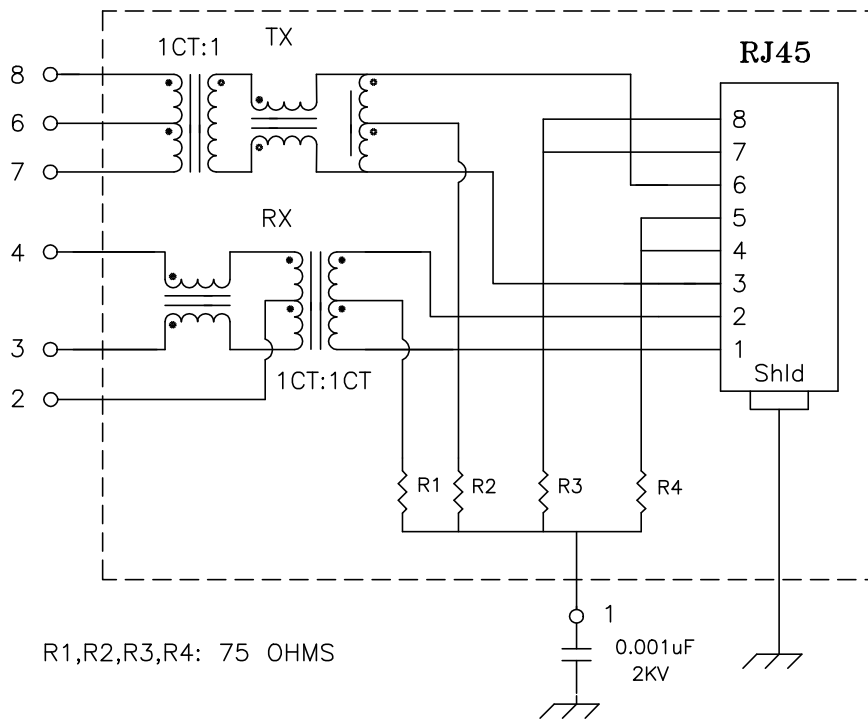


Schematic:



Electrical Specifications: @25°C

Isolation Voltage: 1500 Vrms (INPUT to OUTPUT)

Isolation Voltage: 500 Vrms (6+7+8-2+3+4)

TURNS RATIO: TX 1CT:1 ±5% RX 1CT:1CT ±5%

OCL: 350uH Minimum @100KHz 100mV 8mADC

Insertion Loss (300KHz-100MHz): -1.0dB Typical

Return Loss: 30MHz -16dB Typical

60MHz -12dB Typical

80MHz -10dB Typical

CROSSTALK: 32MHz -40dB Minimum

62MHz -35dB Minimum

100MHz -35dB Minimum

Note:

1. Solderability: Leads shall meet MIL-STD-202, Method 208D for solderability.
2. Flammability: UL94V-0,
3. ASTM oxygen index: > 28% ,
4. Temperature rating: 155°C. UL file E151556,
5. Operating Temperature Range: All listed parameters are to be within tolerance from -40°C to +85°C

XFMRs Inc.

Title: SINGLE PORT COMBO

UNLESS OTHERWISE SPECIFIED

P/N: XFATM6-COMBO1-4S REV. C

TOLERANCES:

DWN. 廖玉坤 Jul-23-01

.xxx ±0.010

CHK. 李清儿 Jul-23-01

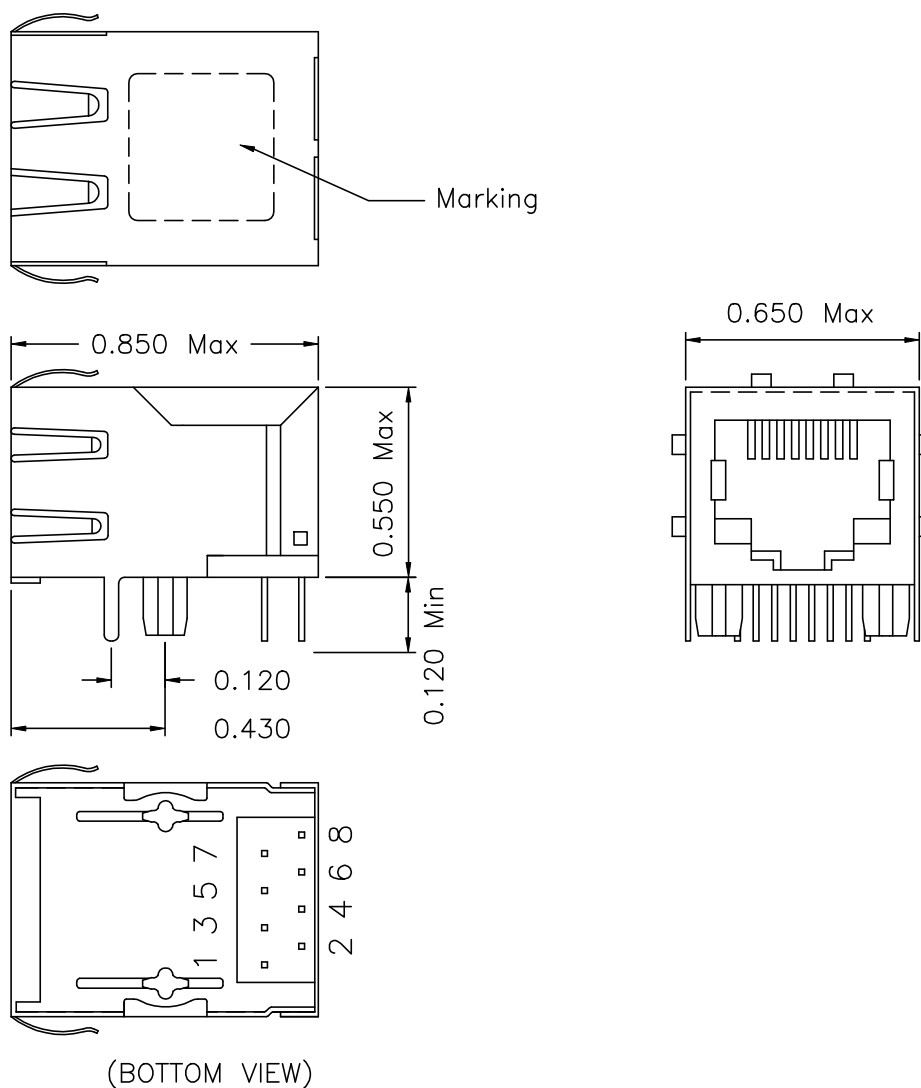
Dimensions in Inch

APP. Joe Huff Jul-23-01

SHEET 1 OF 2

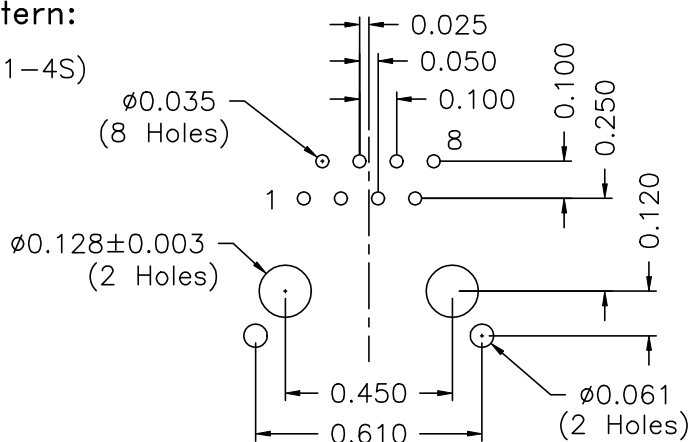
DOC. REV: C/2

Mechanical Dimensions:



Mounting Pattern:

(FOR COMBO1-4S)
(COMP SIDE)



XFMRs Inc. UNLESS OTHERWISE SPECIFIED TOLERANCES: .xxx ±0.010 Dimensions in Inch	Title: Mechanical Dimensions For COMBO1-4S Series	
	P/N: XFATM6-COMBO1-4S	REV. C
DOC REV: C/2	DWN.	李小锋 Jul-23-01
	CHK.	廖玉坤 Jul-23-01
	APP.	Joe Huff Jul-23-01
SHEET 2 OF 2		