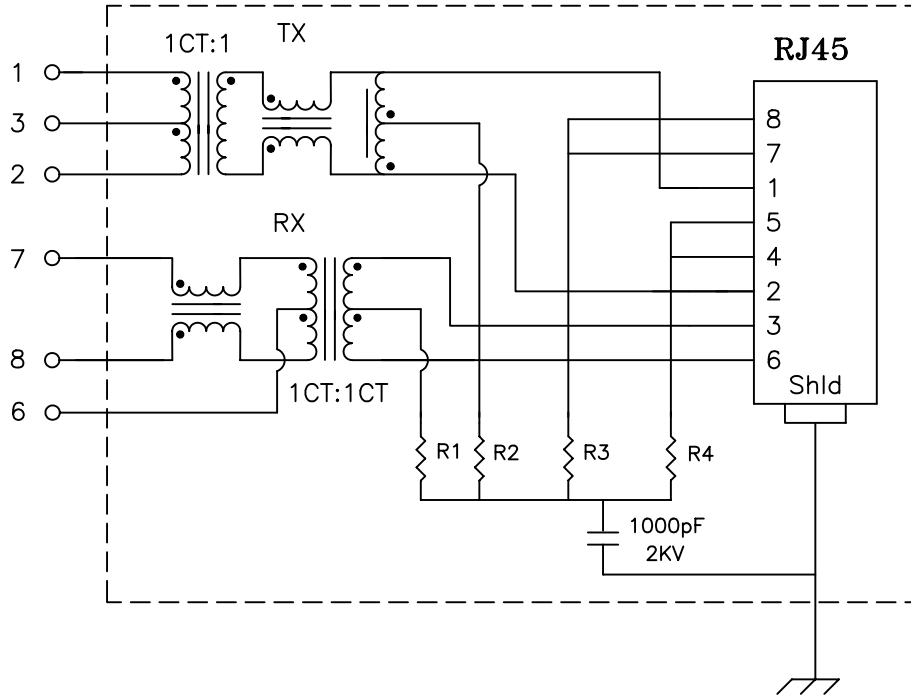


## Schematic:



R1,R2,R3,R4: 75 OHMS

## Electrical Specifications: @25°C

Isolation Voltage: 1500 Vrms (INPUT to OUTPUT)

Isolation Voltage: 500 Vrms (6+7+8-2+3+4)

TURNS RATIO: TX 1CT:1  $\pm 5\%$  RX 1CT:1CT  $\pm 5\%$

OCL: 350uH Minimum @100KHz 100mV 8mADC

Insertion Loss (1MHz-100MHz): -1.0dB Max

Return Loss: 30MHz -16dB Typical

60MHz -14dB Typical

80MHz -12dB Typical

CROSSTALK: 1MHz-100MHz -35dB Minimum

CMRR: 1MHz-100MHz -35dB Minimum

### Notes:

1. Solderability: Leads shall meet MIL-STD-202, Method 208D for solderability.
2. Flammability: UL94V-0
3. ASTM oxygen index: > 28%
4. Temperature rating: 155°C. UL file E151556
5. Operating Temperature Range: All listed parameters are to be within tolerance from -40°C to +85°C

**XFMRS Inc.**

Title: **SINGLE PORT COMBO**

UNLESS OTHERWISE SPECIFIED  
TOLERANCES:  
.xxx  $\pm 0.010$

P/N: XFATM6Q-COMBO1-2MS

REV. A

DWN.

廖玉坤

Dec-15-03

CHK.

李清儿

Dec-15-03

APP.

BW

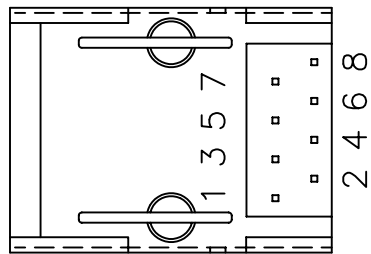
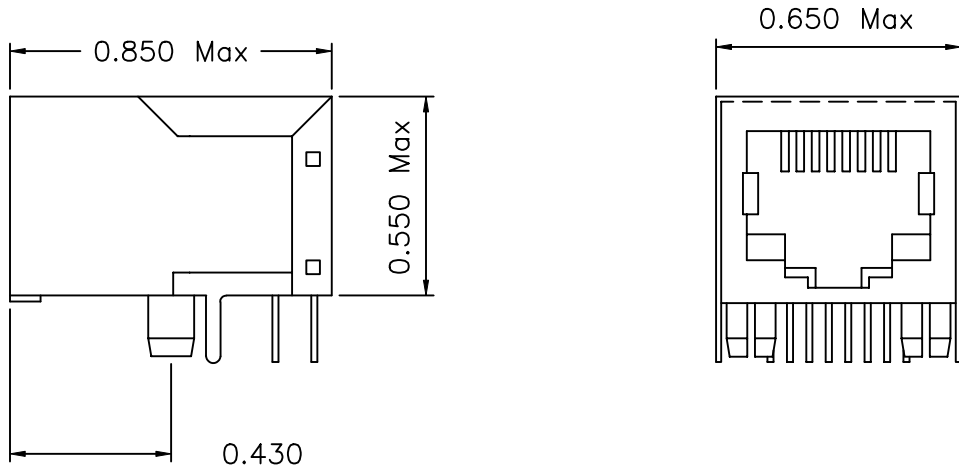
Dec-15-03

DOC. REV: A/1

SHEET 1 OF 2

# Mechanical Dimensions:

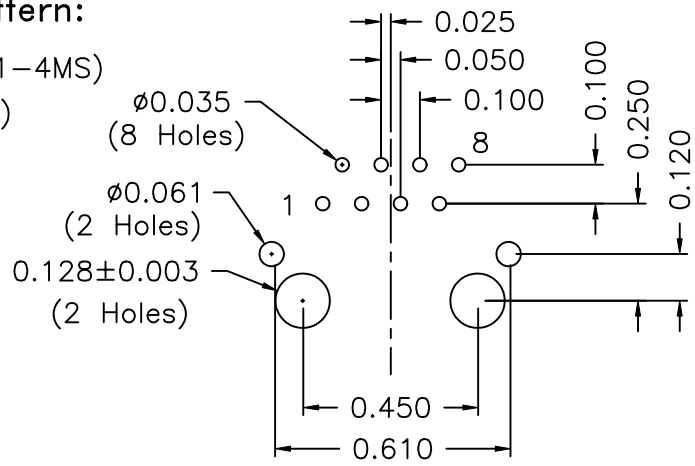
**XFMR5**  
**XFATM6Q-**  
**COMB01-2MS**  
**YYWW**



(BOTTOM VIEW)

## Mounting Pattern:

(FOR COMB01-4MS)  
(COMP SIDE)



DOC. REV: A/1

<b>XFMR5 Inc.</b>		Title: Mechanical Dimensions For COMB01-2MS Series	
UNLESS OTHERWISE SPECIFIED TOLERANCES: .xxx ±0.010 Dimensions in Inch	XFATM6Q-COMB01-2MS		REV. A
	DWN.	李小锋	Dec-15-03
	CHK.	廖玉坤	Dec-15-03
SHEET 2 OF 2	APP.	BW	Dec-15-03