

# SBC

## PSB-511LF

Socket 478 Pentium® M  
CPU Card w / VGA /  
Audio / 2LAN

### Features :

- Support Pentium® M / Celeron® M CPU up to 2.06GHz
- Equipped with Intel® 915GME Chipset with FSB 533MHz
- Memory Supports DDR 533 SDRAM up to 2GB
- Support Compact Flash
- Support 2 Gigabit LAN ports with Wake-on-LAN with ATX power



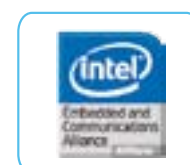
No. 24, Lane 365, Yang Guang St., Nei Hu District, Taipei 114, Taiwan, R.O.C.

Tel: +886-2-8751-1111

Fax: +886-2-8751-1199

Email: [sales@protech.com.tw](mailto:sales@protech.com.tw)

<http://www.protech.com.tw>

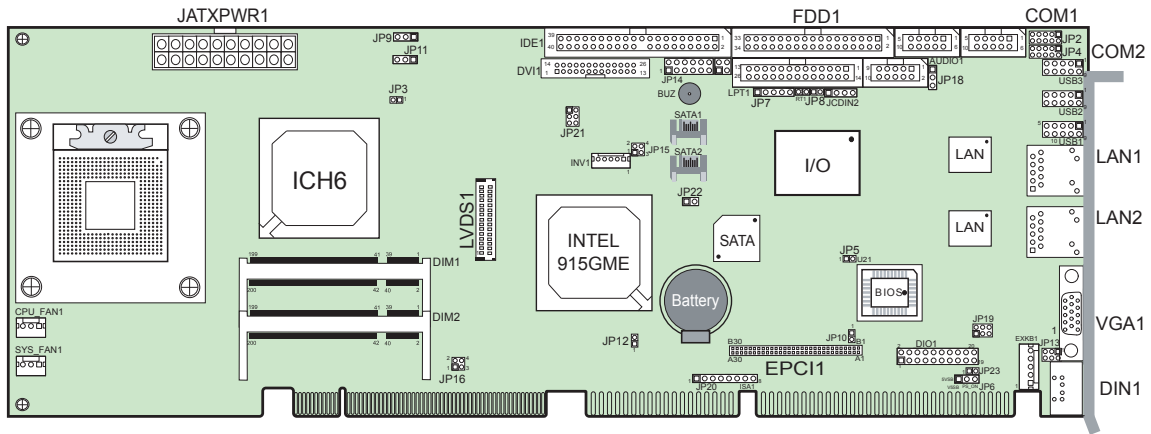


ISO CERTIFIED

9001 | 14001

# PSB-511LF

Socket 478 Pentium® M CPU Card w / VGA / Audio / 2LAN



Specifications	
<b>System</b>	
<b>CPU Type</b>	Intel® Pentium® M / Celeron® M processor
<b>CPU Frequency</b>	1.3~2.06GHz
<b>Chipset</b>	Intel® 915GME + ICH6M (FSB : 400/533MHz)
<b>DRAM</b>	2 x 200-pin DDR SO-DIMM, Support DDR2 533 SDRAM up to 2GB
<b>BIOS</b>	Phoenix-Award PnP BIOS, with VGA BIOS
<b>Watchdog</b>	1~255 secs Watchdog timer selectable w / Reset / NMI
<b>Power Supply</b>	Support AT / ATX power
<b>Power Requirement</b>	+5V, +12V
<b>Power Consumption</b>	+5V : 3.69A / +12V : 2.37A (Pentium® M 1.8GHz)
<b>Dimension</b>	338.5mm x 122mm (13.33" x 4.8")
<b>I/O Chipset</b>	
<b>IDE Interface</b>	1 x 40-pin IDE (UDMA 33/66/100)
<b>S-ATA Interface</b>	2
<b>CF</b>	1 x compact flash slot (IDE)
<b>FDD Interface</b>	1
<b>Bus Interface</b>	EPCI BUS
<b>Serial Port</b>	2 x COM ports, COM1 for RS232, COM2 for RS232/422/485 ( for 16550 compatible type of UART)
<b>IrDA</b>	1 (SIR)

<b>Keyboard</b>	Mini DIN connector or external connector
<b>Mouse</b>	Mini DIN connector (selectable w / KB) or Y-cable
<b>LAN</b>	LAN 1 : Marvell 8052 (10/100/1000Mbps) LAN 2 : Marvell 8052 (10/100/1000Mbps)
<b>Audio</b>	AC '97 Codec, Realtek ALC202A with Line-in / Line-out / MIC
<b>D/I/O</b>	8-in / 8-out
<b>USB</b>	6 x USB 2.0

Display	
<b>Graphic</b>	Built-in Intel® 915GME, share system memory, Support CRT, LVDS, DVI
<b>LCD Interface</b>	18/36-bit LVDS, DVI

Environment	
<b>OperationTemp.</b>	0°~60°C(32°~140°F)
<b>Storage Temp.</b>	-40°~85°C(-40°~185°F)
<b>Humidity</b>	Operation humidity 20~90%, Storage humidity 20~95%

Ordering Information	
<b>PSB-511LF</b>	PICMG S478 P-M / Celeron-M CPU Card w VGA / Audio / LAN x 2 (2 x 10/100/1000Mbps)
<b>Certificate: CE, FCC, CLASS A</b>	

All of trademarks and brand names are the property of their owners. Trademark "Protech" is the property of Protech Systems Co., Ltd. All information contained in this document is subject to change without any prior notice. This catalog is copyrighted in July 2008.