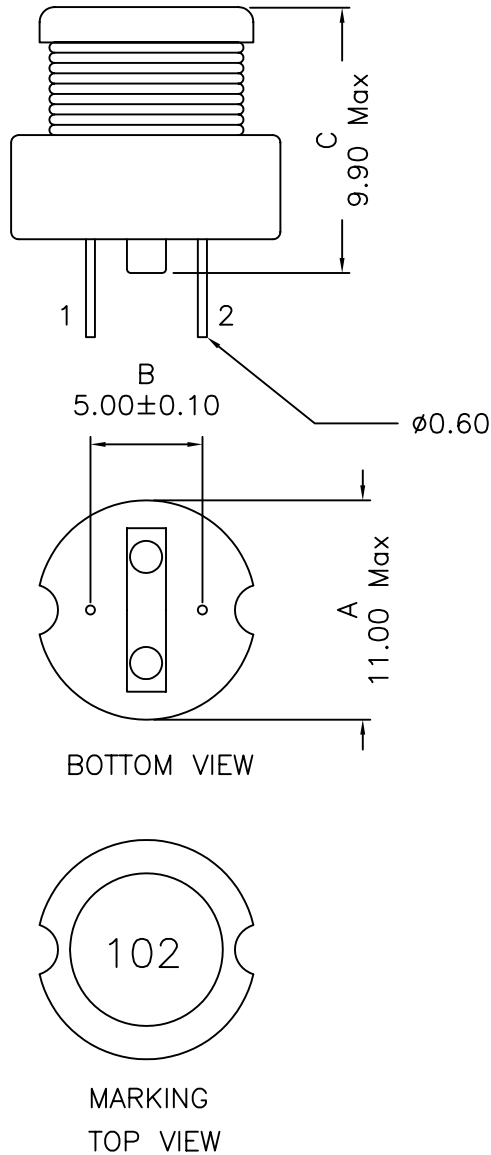
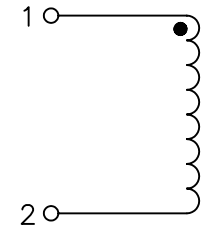


1. Dimensions:



2. Schematic:



3. Electrical Specs:

OCL: 1000uH±10% @100KHz 0.25V, 0Adc
 OCL: 1000uH±20% @100KHz 0.25V, 0.300Adc
 DC Res.: 2.70±10% Ohms

Notes:

1. Solderability: Leads shall meet MIL-STD-202, Method 208D for solderability.
2. Flammability: UL94V-0
3. ASTM oxygen index: > 28%
4. Temperature rating: 155°C. UL file E151556
5. Operating Temp: -40°C to +85°C
6. Storage Temp: -55°C to +125°C

XFMRs Inc	Title: Inductor		
	UNLESS OTHERWISE SPECIFIED TOLERANCES: .xx ±0.25 Dimensions in MM	P/N: 1XF00102T1M DWN. 罗振江 CHK. 廖玉坤	REV A Sep-09-03 Sep-09-03
Scale 2.5:1 SHT 1 OF 1	APP.	Isaiah M	Sep-09-03

DOC REV: A/2