

FEATURES

- Compact size, long life and efficiency
- Single or twin head versions
- Ideal for use in portable air and gas applications
- Up to 6 or 12 lpm free flow, pressure up to 1.3 bar and vacuum up to 576 mbar
- Light Duty (LD) and Heavy Duty (HD) DC brush iron core motor options



WETTED MATERIALS

Diaphragm: EPDM
 Valve: EPDM
 Head: PPA

ELECTRICAL

Voltage	
Nominal	12 or 24 V _{DC}
Max.	
T6...LD...	17 or 32 V _{DC}
T6...HD...	19 or 38 V _{DC}
Max. power @ nom. voltage	
T6SH...LD...	5.2 W
T6TH...LD...	8.4 W
T6SH...HD...	4 W
T6TH...HD...	7 W
Electrical termination	solder tabs or 10 inch wire leads

SPECIFICATIONS

Max. ambient and media temperature	0 to +50 °C
Weight	
T6SH...LD...	163 g
T6SH...HD...	195 g
T6TH...LD...	186 g
T6TH...HD...	218 g

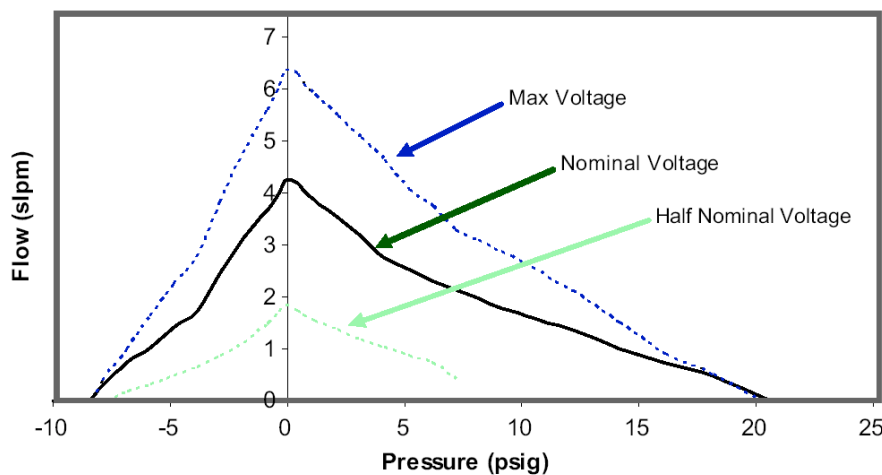
PERFORMANCE CHARACTERISTICS

(Standard conditions: 22 °C (70 °F) and 14.7 psia)

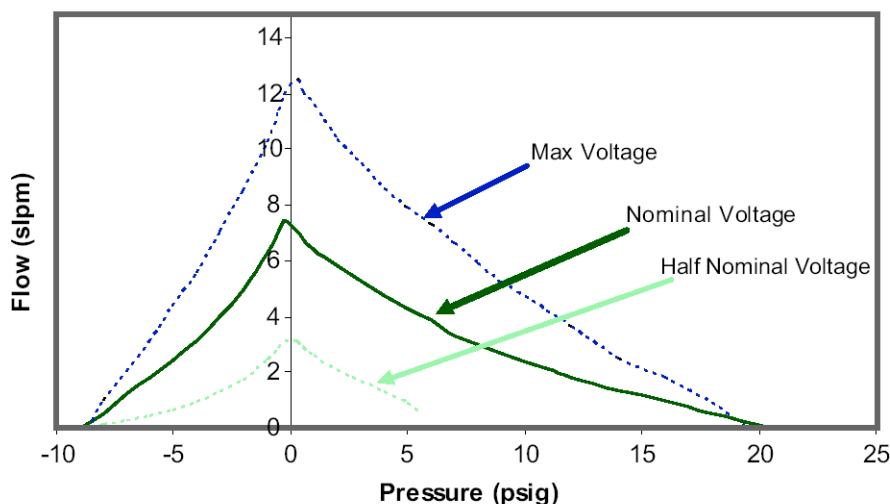
Part no.	Max. flow	Max. pressure		Max. vacuum	
		intermittent	continuous		
T6SH...LD...	6 lpm	1.3 bar (19 psi)	140 mbar (2 psi)	576 mbar (17 inch Hg)	
T6TH...LD...	12 lpm		1.3 bar (19 psi)		1.3 bar (19 psi)
T6SH...HD...	6 lpm				
T6TH...HD...	12 lpm				

FLOW CURVES

**Single head
(T6SH...)**



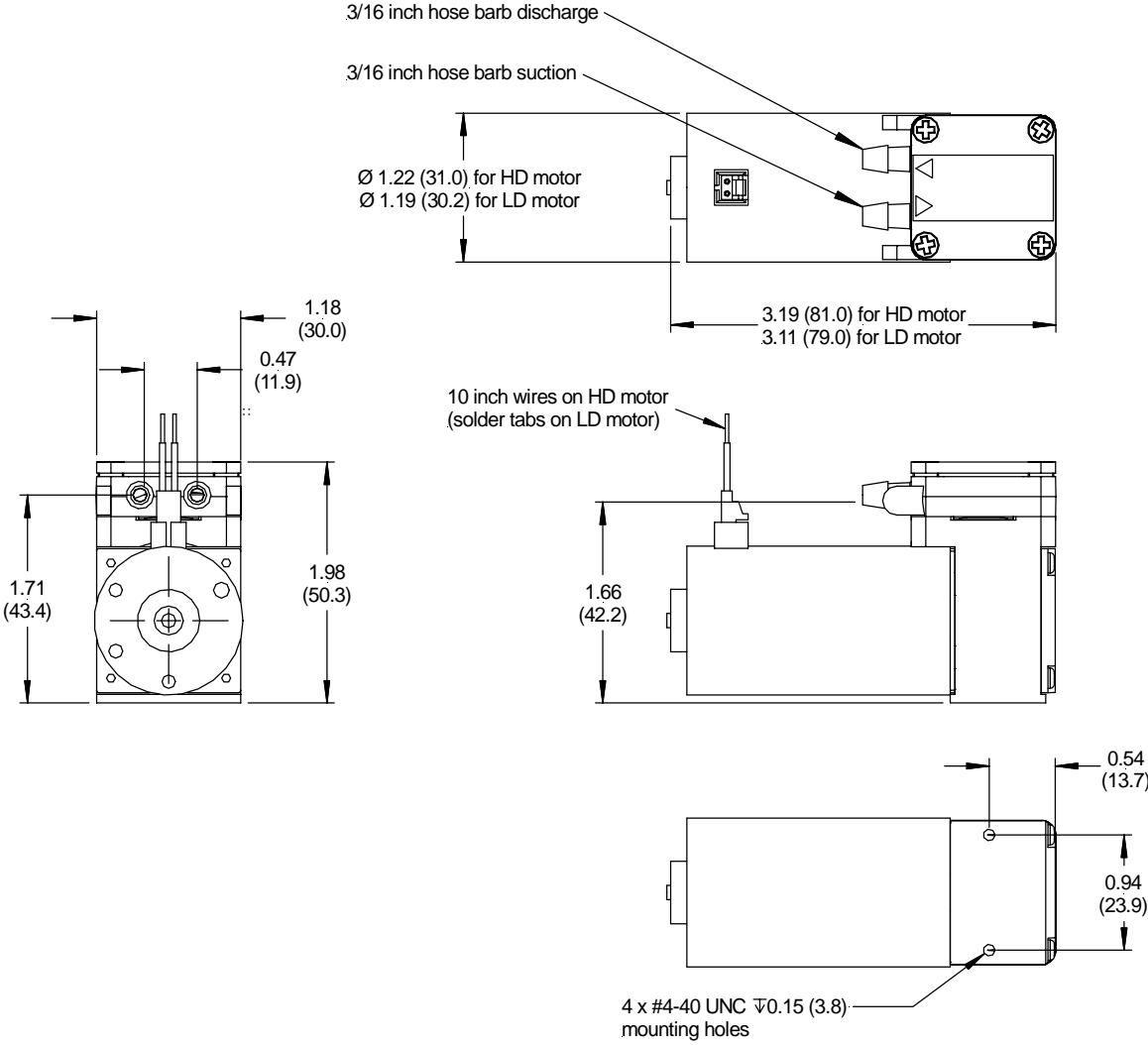
**Twin head
(T6TH...)**

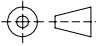


Note: slpm denotes Standard Liters per Minute. It is a unit for the flow rate at standard conditions of temperature and pressure.

OUTLINE DRAWING

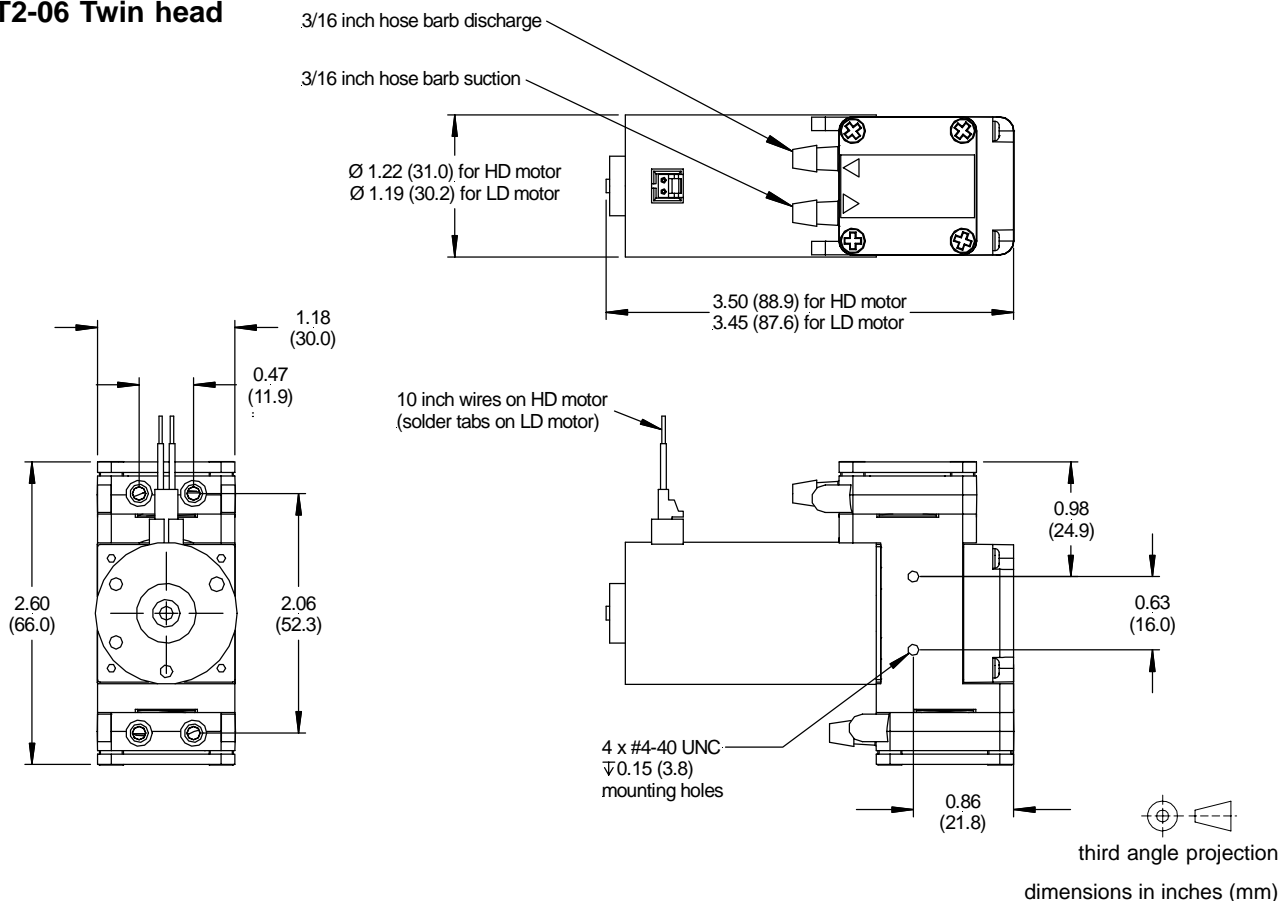
T2-06 Single head




 third angle projection
 dimensions in inches (mm)

OUTLINE DRAWING (cont.)

T2-06 Twin head



ORDERING INFORMATION

Options	Series		Head configurations		Mounting options		Motors*		Nominal/max.* voltages		Free flow*		Valve		Diaphragm		Body/head		
	T6	T2-06	SH	Single head	S	Standard (barbs on head)	LD	Light duty brush	12	12 / 19 V _{DC}	1	6 lpm (single head)	E	EPDM	E	EPDM	A	PPA	
			TH	Twin head			HD	Heavy duty brush	24	24 / 38 V _{DC}		12 lpm (twin head)							
							* Consult Sensortech for premium brush and BLCD motor options		* Continuous duty at maximum rated voltage may reduce motor life		* at max. rated voltage								
Example:	T6		SH		S		HD		12		1		E		E		A		

Note: Custom specific modifications are widely available. Please contact your nearest Sensortech sales office for further information.

Sensortech reserves the right to make changes to any products herein. Sensortech does not assume any liability arising out of the application or use of any product or circuit described herein, neither does it convey any license under its patent rights nor the rights of others.