

SMT Shielded Wire Wound Power Inductors

**Token SMT Shielded Power Inductor Packs
More Power In Less Board Space (TPSRB)**

► Preview

The TPSRB series of wire wound, surface-mount inductor from Token Electronics is designed for general purpose inductor to eliminate EMI in power lines for telecommunications, test & measurement equipment, networking, portable electronic equipment, PCs, appliances, and other electronic devices.

Developed to increase DC to DC converter efficiency through low DC resistance, the compact inductors save valuable board space, measuring only 5.90 mm x 6.50 mm x 3.50 mm for TPSR63B, 7.35 mm x 8.15 mm x 4.90 mm for TPSR74B, 9.40 mm x 10.40 mm x 5.50 mm for TPSR105B.

The inductors are magnetically shielded to prevent interference and operate in a temperature range of -40°C to +85°C. Token Electronics offers a variety of coils and inductors, including choke coils with low DC resistance for power supply circuits. Customers can select the optimum characteristics by choosing from monolithic or wire wound construction and a wide range of inductance values and tolerances with some types offering magnetic shielding.

Custom parts are available on request. Token will also produce devices outside these specifications to meet specific customer requirements, please contact our sales for more information.

Features :

- Compact and thin.
- Magnetically shielded construction.
- Put the electrode with ferrite core directly, a small surface area allow a high mounting density.

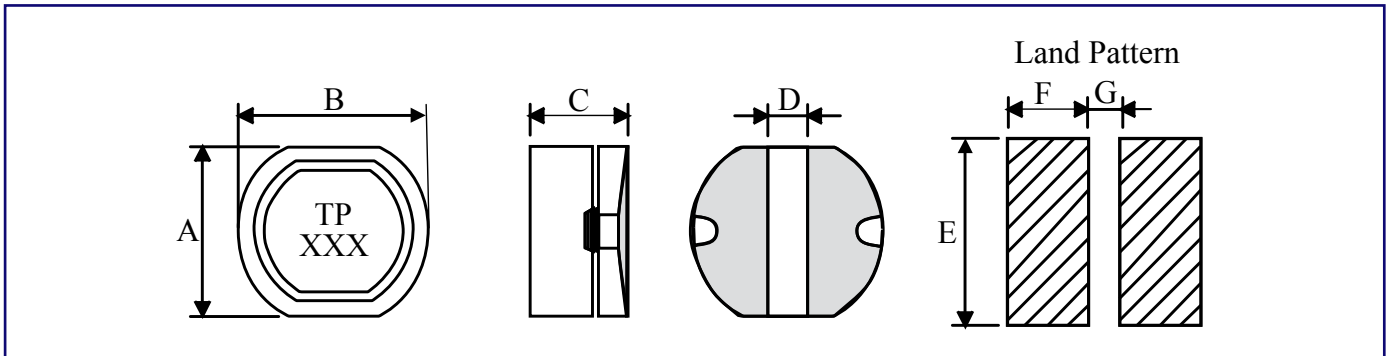
Applications :

- VTR, OA equipment, LCD television set, Notebook.
- Portable communication equipments, DC-DC converters.



www.token.com.tw

▶ Dimensions & Configurations



Type	A(max)	B(max)	C(max)	D(Ref.)	E	F	G
TPSR63B	5.90	6.50	3.50	1.45	5.50	2.25	1.70
TPSR74B	7.35	8.15	4.90	2.10	7.50	4.00	2.00
TPSR105B	9.40	10.40	5.50	2.90	9.50	5.00	2.50

Note: Design as Customer's Requested Specifications.

▶ (TPSR63B) Electrical Characteristics

Part Number	Inductance (μH)	Test Freq. (MHz)	DCR (Ω) (max)	IDC (A) (max)
TPSR63B - 100M	10.00	2.52	0.140	1.00
TPSR63B - 120M	12.00	2.52	0.160	0.94
TPSR63B - 150M	15.00	2.52	0.180	0.86
TPSR63B - 180M	18.00	2.52	0.250	0.78
TPSR63B - 220M	22.00	2.52	0.320	0.76
TPSR63B - 270M	27.00	2.52	0.360	0.64
TPSR63B - 330M	33.00	2.52	0.410	0.61
TPSR63B - 390M	39.00	2.52	0.470	0.53
TPSR63B - 470M	47.00	2.52	0.510	0.50
TPSR63B - 560M	56.00	2.52	0.720	0.46
TPSR63B - 680M	68.00	2.52	0.820	0.42

▶ (TPSR74B) Electrical Characteristics

Part Number	Inductance (μH)	Test Freq. (MHz)	DCR (Ω) (max)	IDC (A) (max)
TPSR74B - 100M	10.00	2.52 M	0.070	1.65
TPSR74B - 120M	12.00	2.52 M	0.070	1.57
TPSR74B - 150M	15.00	2.52 M	0.080	1.39
TPSR74B - 180M	18.00	2.52 M	0.100	1.29
TPSR74B - 220M	22.00	2.52 M	0.130	1.12
TPSR74B - 270M	27.00	2.52 M	0.160	1.06
TPSR74B - 330M	33.00	2.52 M	0.180	0.97
TPSR74B - 390M	39.00	2.52 M	0.180	0.91
TPSR74B - 470M	47.00	2.52 M	0.270	0.80
TPSR74B - 560M	56.00	2.52 M	0.290	0.76
TPSR74B - 680M	68.00	2.52 M	0.330	0.68
TPSR74B - 820M	82.00	2.52 M	0.430	0.62
TPSR74B - 101M	100.00	1 K	0.490	0.55
TPSR74B - 121M	120.00	1 K	0.680	0.49
TPSR74B - 151M	150.00	1 K	0.940	0.44
TPSR74B - 181M	180.00	1 K	1.000	0.40
TPSR74B - 221M	220.00	1 K	1.180	0.36
TPSR74B - 271M	270.00	1 K	1.300	0.33

▶ (TPSR105B) Electrical Characteristics

Part Number	Inductance (μH)	Test Freq. (MHz)	DCR (Ω) (max)	IDC (A) (max)
TPSR105B - 100M	10.00	2.52 M	0.060	2.06
TPSR105B - 120M	12.00	2.52 M	0.070	1.94
TPSR105B - 150M	15.00	2.52 M	0.070	1.72
TPSR105B - 180M	18.00	2.52 M	0.080	1.58
TPSR105B - 220M	22.00	2.52 M	0.080	1.42
TPSR105B - 270M	27.00	2.52 M	0.100	1.32
TPSR105B - 330M	33.00	2.52 M	0.110	1.16
TPSR105B - 390M	39.00	2.52 M	0.120	1.10
TPSR105B - 470M	47.00	2.52 M	0.140	1.00
TPSR105B - 560M	56.00	2.52 M	0.190	0.93
TPSR105B - 680M	68.00	2.52 M	0.210	0.85
TPSR105B - 820M	82.00	2.52 M	0.280	0.79
TPSR105B - 101M	100.00	1 K	0.340	0.72
TPSR105B - 121M	120.00	1 K	0.370	0.63
TPSR105B - 151M	150.00	1 K	0.510	0.55
TPSR105B - 181M	180.00	1 K	0.570	0.50
TPSR105B - 221M	220.00	1 K	0.780	0.47
TPSR105B - 271M	270.00	1 K	0.870	0.41
TPSR105B - 331M	330.00	1 K	1.200	0.37
TPSR105B - 391M	390.00	1 K	1.340	0.35
TPSR105B - 471M	470.00	1 K	1.500	0.33

Note: TPSR74B-101 ~ 271 Test Freq.: 1KHz / 0.25V.
 TPSR105B-101 ~ 471 Test Freq.: 1KHz / 0.25V.
 Operating Temp. : -40°C ~ +85°C.
 Inductance drop = 10% typ. at IDC.

▶ How to Order

TPSR63B

100

M

❶
❷
❸

❶ Part Number:TPSR63B, TPSR74B, TPSR105B

❷ Inductance

Code	Inductance
100	10.00μH
101	100.00μH

❸ Tolerance

Code	Tolerance
K	10%
L	15%
M	20%
N	30%

Back to 1st Page - SMT Power Wire Wound Inductors (TPSRB)