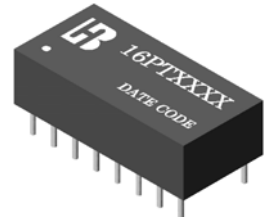


## 10/100 BASE PULSE TRANSFORMERS (DIP)

462 Boston St - Topsfield, MA 01983 - Phone: 978-887-8050 - Fax: 978-887-5434

- Designed for 10/100 MB/s transmission over UTP-5 cable
- Tested and qualified for use with national semiconductor's DP83840 Ethernet 10/100 PHY chip
- Cable interface for isolation and low common mode emissions.
- 16-pin dip package for economic cost
- Storage temperature range: -40°C to +100°C



### Electrical Specifications @25°C Operating Temperature range: 0°C to +70°C

Isolation Voltage : 1500Vrms, OCL:350 uH Min 8mA/DC Bias,

Rise time(10-90%): 2.5ns Typ “\*” Rise time(10-90%):3.0 ns typ

Part Number	Insertion Loss (dB Max)	Return Loss (dB Min)					Cross talk (dB Min)		Differential to Common Mode Rejection(dB Min) TX/RX	
		0.3~100MHz	30MHz	40MHz	50MHz	60MHz	80MHz	0.3-60MHz z	60-100MHz z	0.3-60 MHz
16PT8510	-1.15	-16	-14	-13.5	-13	-12	-40	-38	-45/-40	-40/-35
16PT8510A	-1.15	-16	-14	-13.5	-13	-12	-40	-38	-45/-40	-40/-35
16PT8510X	-1.15	-16	-14	-13.5	-13	-12	-40	-38	-45/-40	-40/-35
16PT8515	-1.15	-16	-14	-13.5	-13	-12	-40	-38	-42/-40	-40/-35
16PT8515-4	-1.15	-16	-14	-13.5	-13	-12	-40	-38	-42/-40	-40/-35
16PT8520	-1.1	-16	-15	-13	-11		-38		-	-
16PT8520X	-1.1	-16	-15	-13	-11		-38		-	-

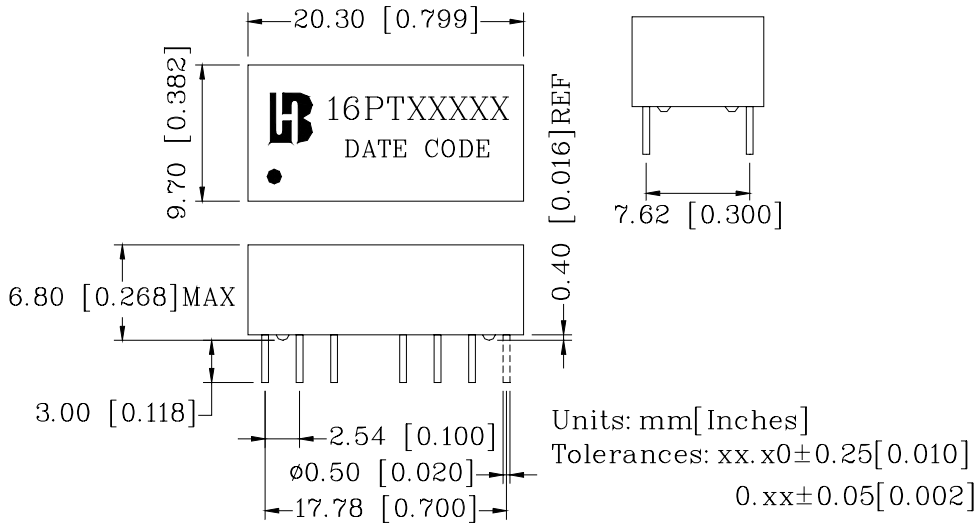
Part Number	Turn Ratio (±5%)		L.L (uH Min)		CW/W(pF Max)		Common mode rejection TX/RX (dB Min)		Mechanical Number
	Transmit	Receive	TX	RX	TX	RX	0.3-60MHz	60-100MHz	
16PT8510	1CT:1CT	1CT:1CT	-	-	-	-	-	-	DP2
16PT8510A	1CT:1CT	1CT:1CT	-	-	-	-	-	-	DP2
16PT8510X	1CT:1CT	1CT:1CT	-	-	-	-	-	-	DP5
16PT8515	1CT:1	1CT:1CT	-	-	-	-	-	-	DP1
16PT8515-4	1CT:1CT	1CT:1CT	-	-	-	-	-	-	DP1
16PT8520	1CT:1CT	1:1	0.6		28		-40		DP3
16PT8520X	1CT:1CT	1CT:1CT	0.6		50		-40		DP4

### Mechanicals

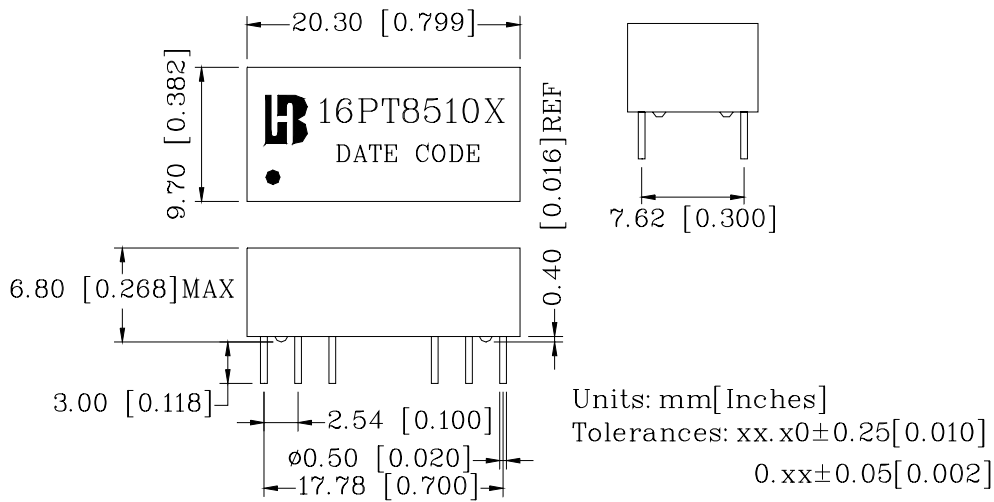
# 10/100 BASE PULSE TRANSFORMERS (DIP)

462 Boston St - Topsfield, MA 01983 - Phone: 978-887-8050 - Fax: 978-887-5434

## DP1



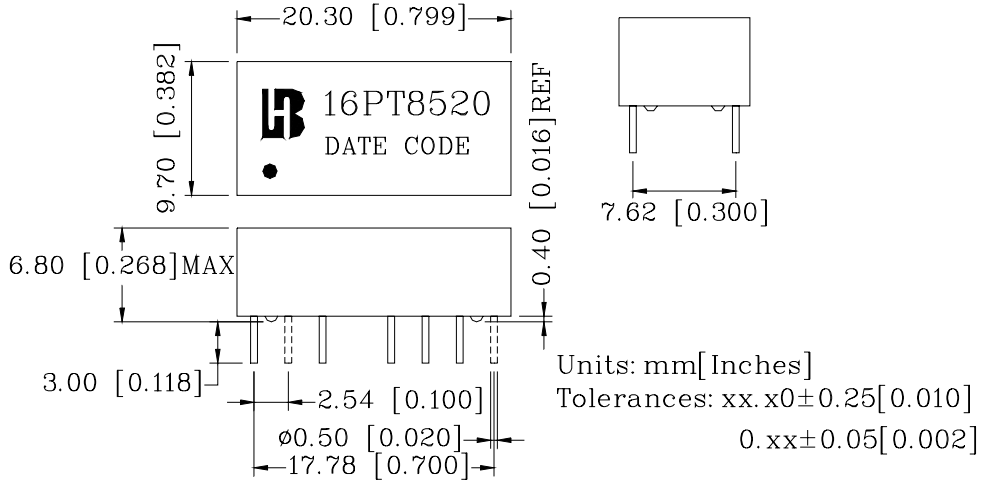
## DP2



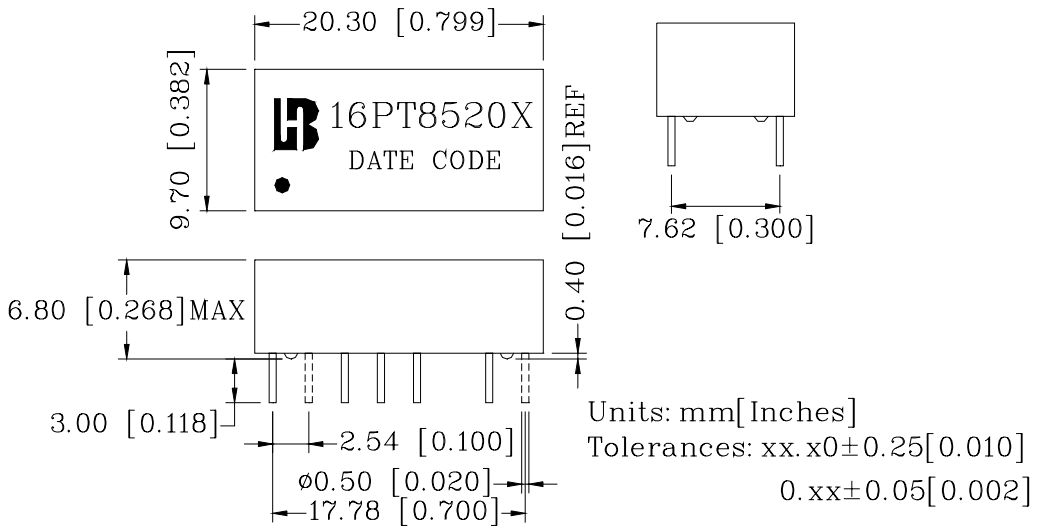
## DP3

# 10/100 BASE PULSE TRANSFORMERS (DIP)

462 Boston St - Topsfield, MA 01983 - Phone: 978-887-8050 - Fax: 978-887-5434



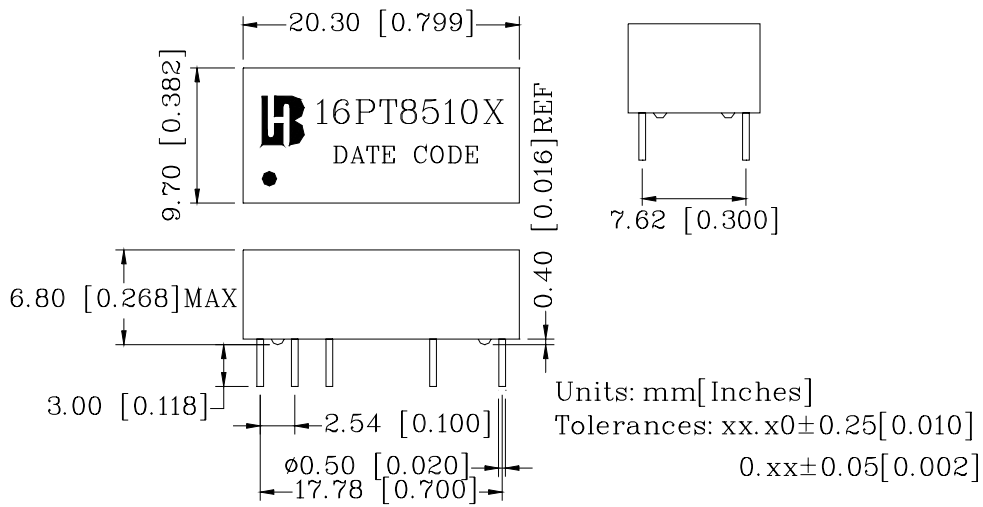
## DP4



# 10/100 BASE PULSE TRANSFORMERS (DIP)

462 Boston St - Topsfield, MA 01983 - Phone: 978-887-8050 - Fax: 978-887-5434

DP5



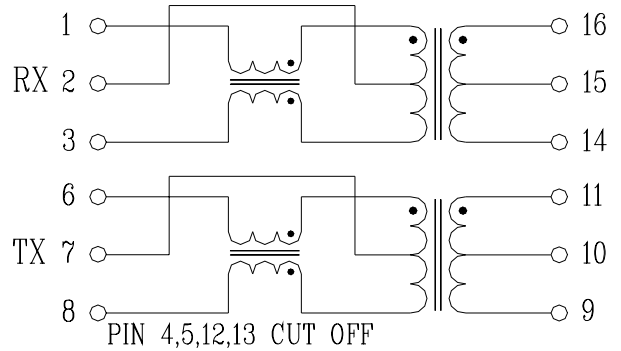
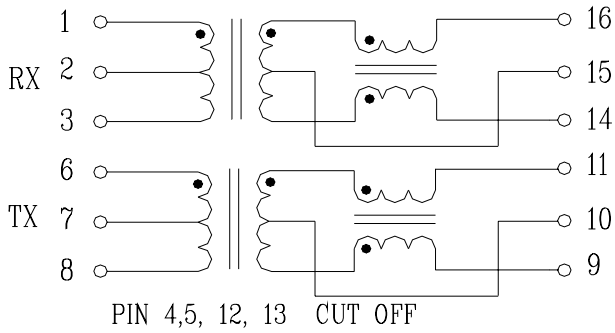
## Schematics

16PT8510

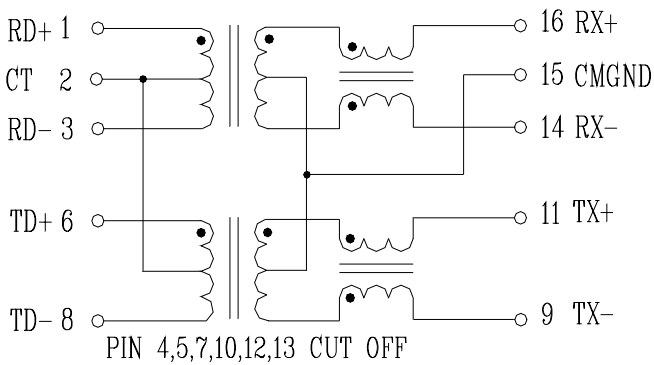
16PT8510A

# 10/100 BASE PULSE TRANSFORMERS (DIP)

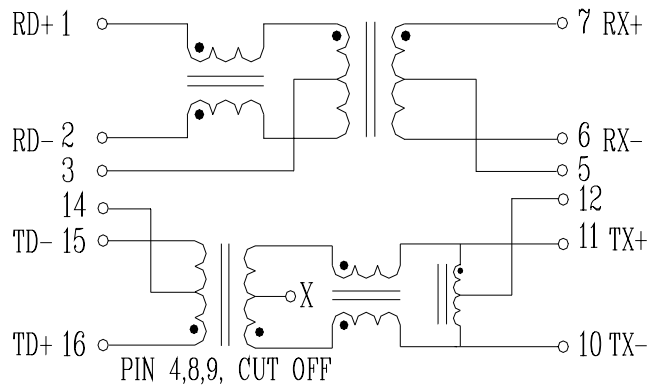
462 Boston St - Topsfield, MA 01983 - Phone: 978-887-8050 - Fax: 978-887-5434



## 16PT8510X



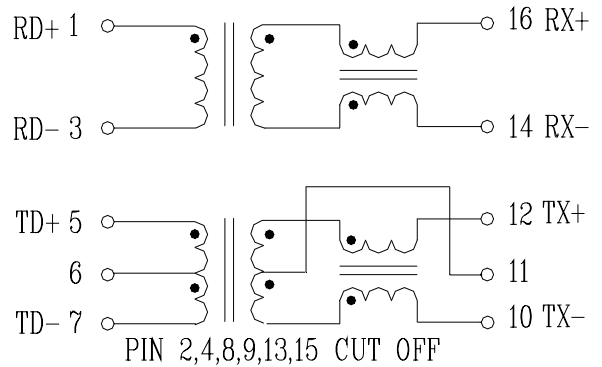
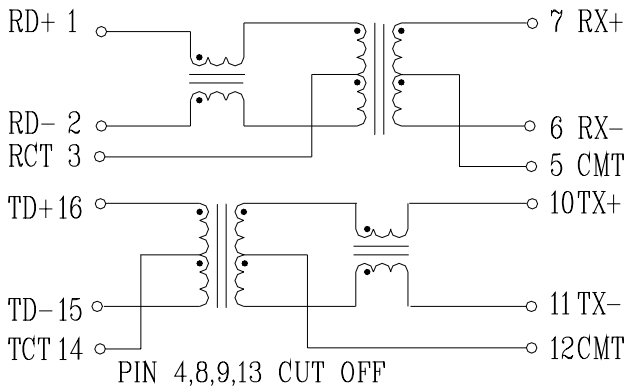
## 16PT8515



# 10/100 BASE PULSE TRANSFORMERS (DIP)

462 Boston St - Topsfield, MA 01983 - Phone: 978-887-8050 - Fax: 978-887-5434

## 16PT8520



## 16PT8520X

