

### FEATURES

- 0...35 mbar to 0...17 bar gage or differential
- High impedance bridge
- Miniature package
- Different pinning configurations
- Usable for wet/wet applications<sup>1</sup>

### MEDIA COMPATIBILITY<sup>1</sup>

All media compatible with

- port 1: - polyetherimide  
- silver-filled silicone  
- silicon nitride
- port 2: - polyetherimide  
- EPDM, neoprene or silicone  
- silicon



### SPECIFICATIONS

(supply voltage, temperature limits, lead temperature, humidity limits, mechanical shock, proof pressure...)

AND

### PRESSURE SENSOR CHARACTERISTICS

( $V_s = 10.0 \pm 0.01$  V,  $t_{amb} = 25^\circ\text{C}$ , unless otherwise noted)

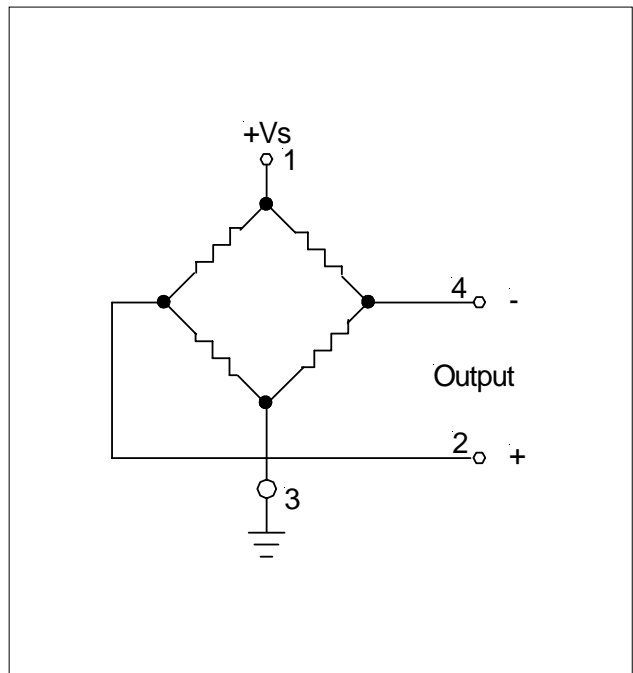


see individual data sheets for 24PC or 26PC series

#### Specification notes:

1. P1 of all "gage" devices are normally vented to atmosphere. P1 and P2 of differential devices might be used for "wet-wet" applications, but the media must be compatible with the materials specified under "MEDIA COMPATIBILITY".

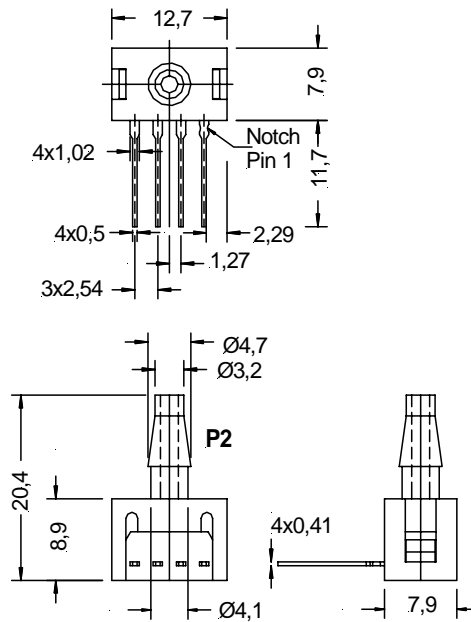
### ELECTRICAL CONNECTION



### OUTLINE DRAWINGS FOR GAGE DEVICES

#### 2xPCxxxxG6Bx

(Barbed, pinning 1 x 4)

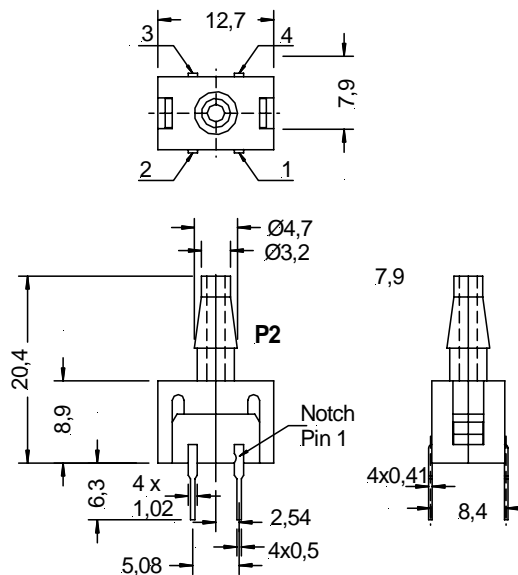


mass: 2 g

dimensions in mm

#### 2xPCxxxxG2Bx

(Barbed, pinning 2 x 2)

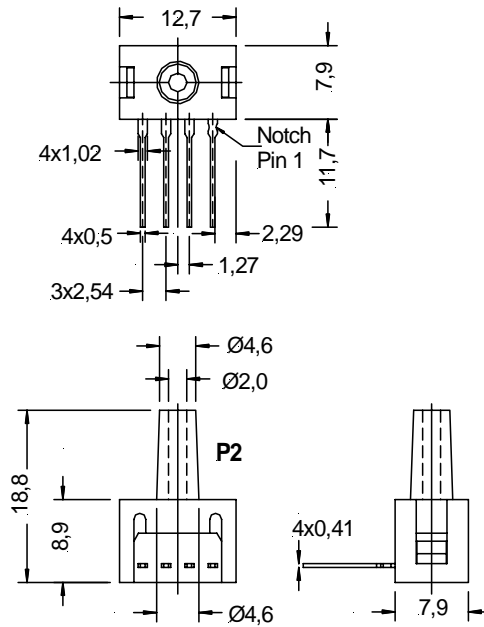


mass: 2 g

dimensions in mm

### OUTLINE DRAWINGS FOR GAGE DEVICES

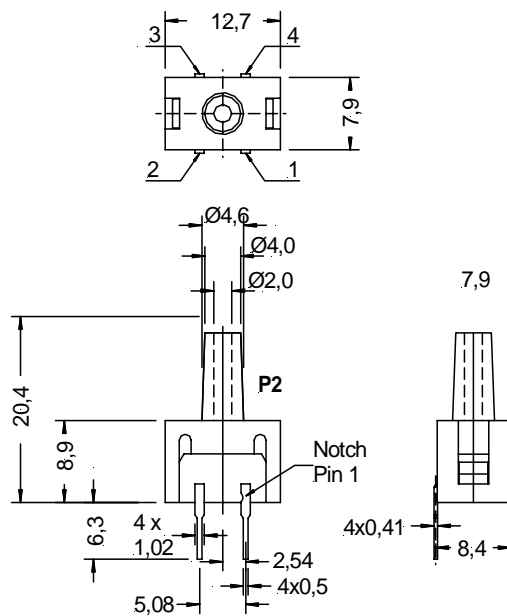
**2xPCxxxxG6Cx**  
(Luer, pinning 1 x 4)



mass: 2 g

dimensions in mm

**2xPCxxxxG2Cx**  
(Luer, pinning 2 x 2)



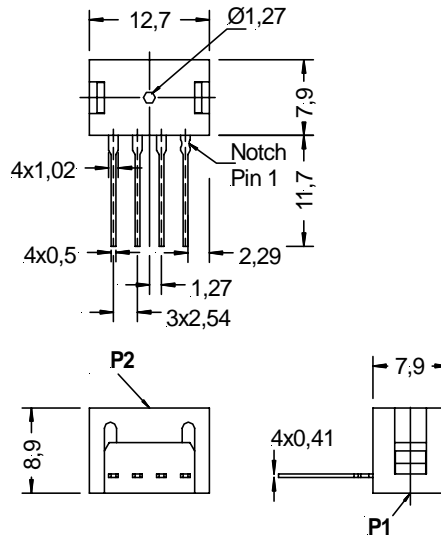
mass: 2 g

dimensions in mm

### OUTLINE DRAWINGS FOR GAGE DEVICES

#### 2xPCxxxxG6Dx

(Modular, pinning 1 x 4)

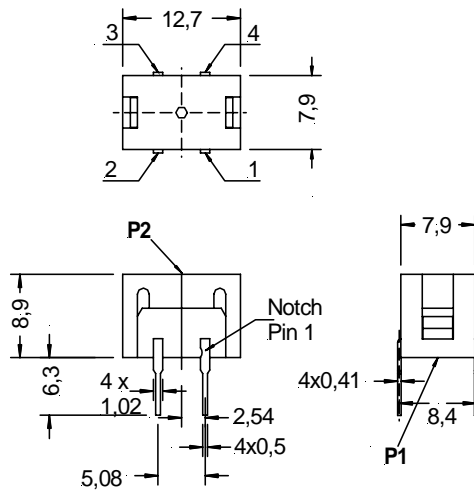


mass: 2 g

dimensions in mm

#### 2xPCxxxxG2Dx

(Modular, pinning 2 x 2)



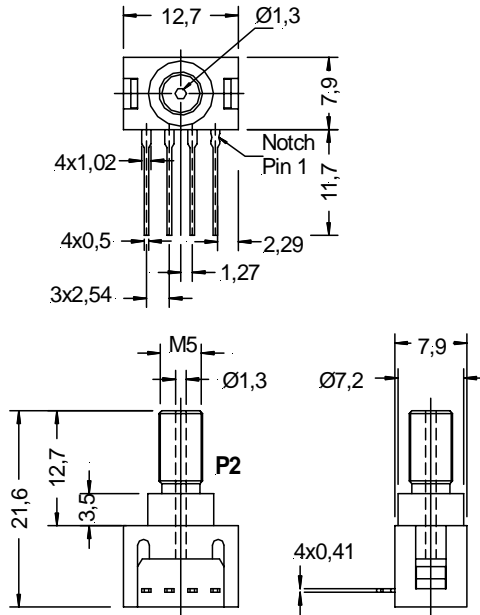
mass: 2 g

dimensions in mm

### OUTLINE DRAWINGS FOR GAGE DEVICES

**2xPCxxxxG6Hx**  
(M5 thread, pinning 1 x 4)

**Tightening torque<sup>3</sup>:**  
**Max. 67 Ncm**

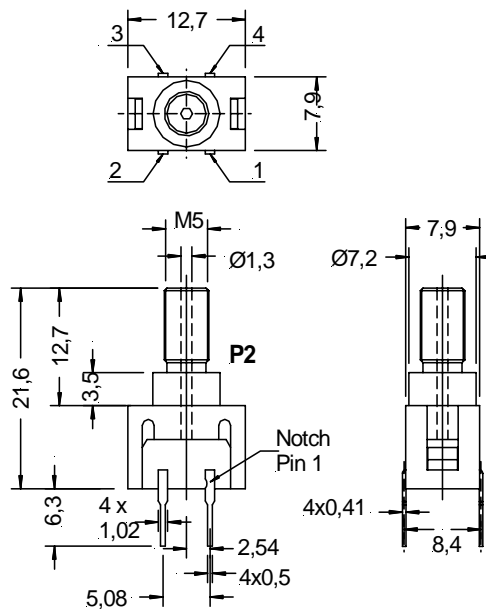


mass: 2 g

dimensions in mm

**2xPCxxxxG2Hx**  
(M5 thread, pinning 2 x 2)

**Tightening torque<sup>3</sup>:**  
**Max. 67 Ncm**



mass: 2 g

dimensions in mm

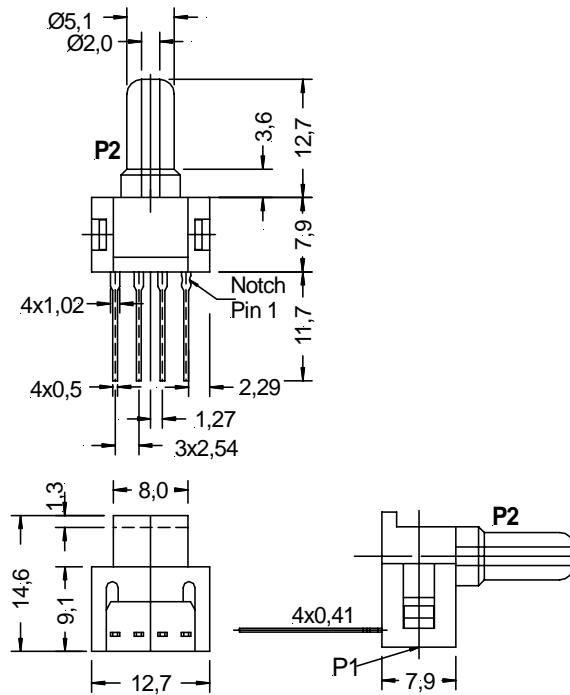
**Specification note:**

- 3. Recommended O-ring:  $\varnothing$  3,68 x 1,78, SH70,  
recommended counter bore dimensions:  $\varnothing$  7,62 x 1,02 deep

### OUTLINE DRAWINGS FOR GAGE DEVICES

#### 2xPCxxxxG6lx

(90° port, pinning 1 x 4)

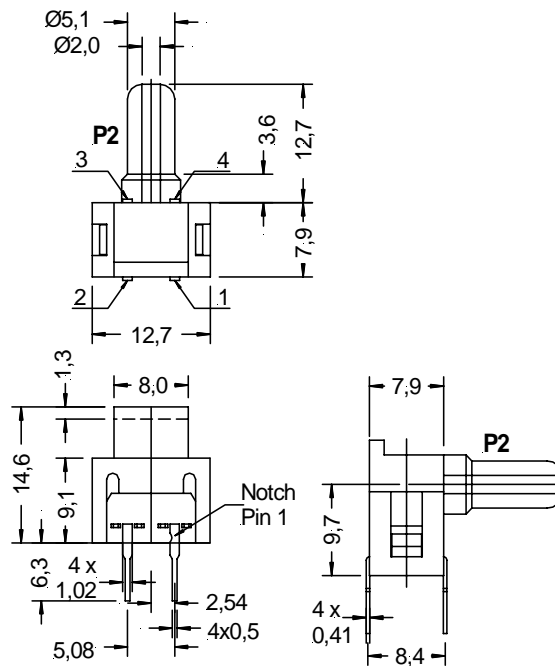


mass: 2 g

dimensions in mm

#### 2xPCxxxxG2lx

(90° port, pinning 2 x 2)

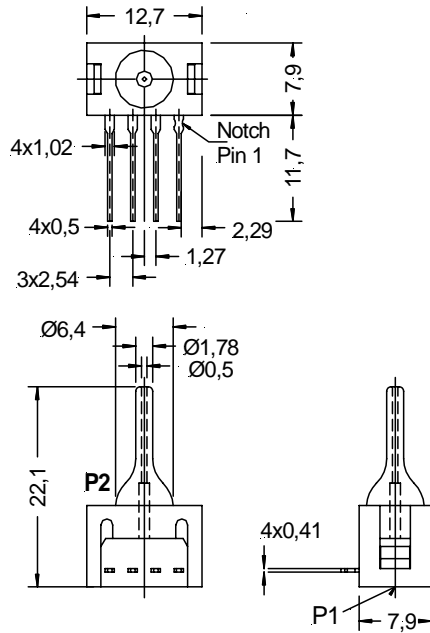


mass: 2 g

dimensions in mm

### OUTLINE DRAWINGS FOR GAGE DEVICES

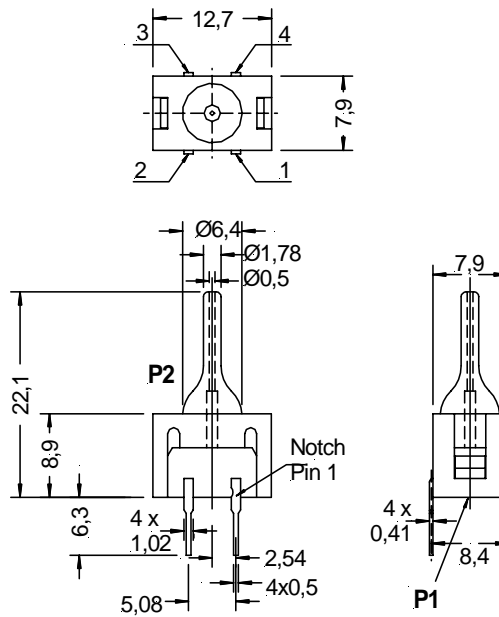
**2xPCxxxxG6Jx**  
(Needle, pinning 1 x 4)



mass: 2 g

dimensions in mm

**2xPCxxxxG2Jx**  
(Needle, pinning 2 x 2)



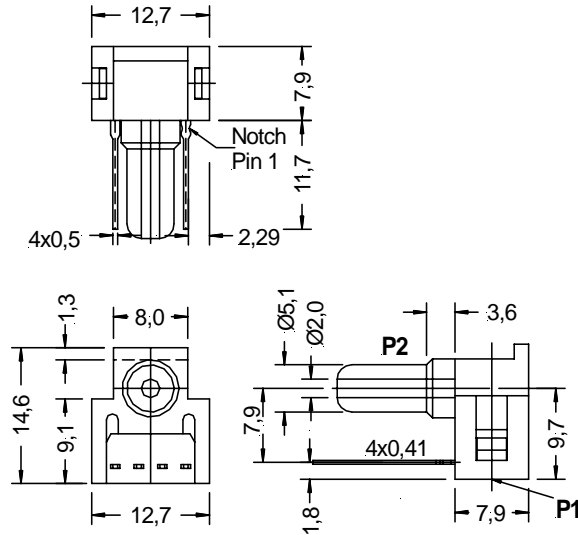
mass: 2 g

dimensions in mm

### OUTLINE DRAWINGS FOR GAGE DEVICES

#### 2xPCxxxxG6Kx

(Inverse 90° port, pinning 1 x 4)

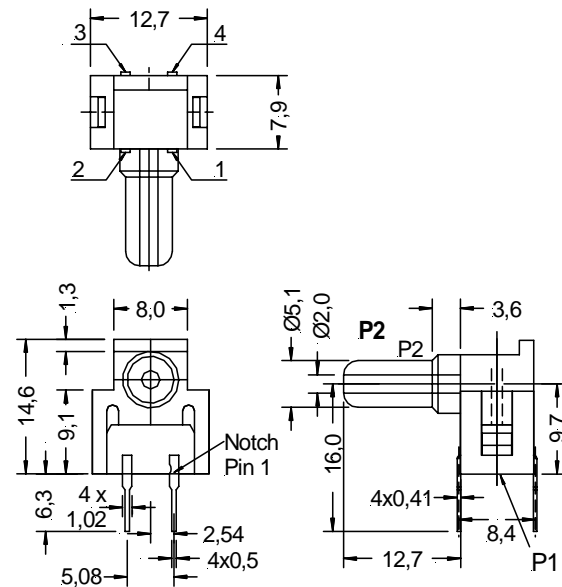


mass: 2 g

dimensions in mm

#### 2xPCxxxxG2Kx

(Inverse 90° port, pinning 2 x 2)



mass: 2 g

dimensions in mm

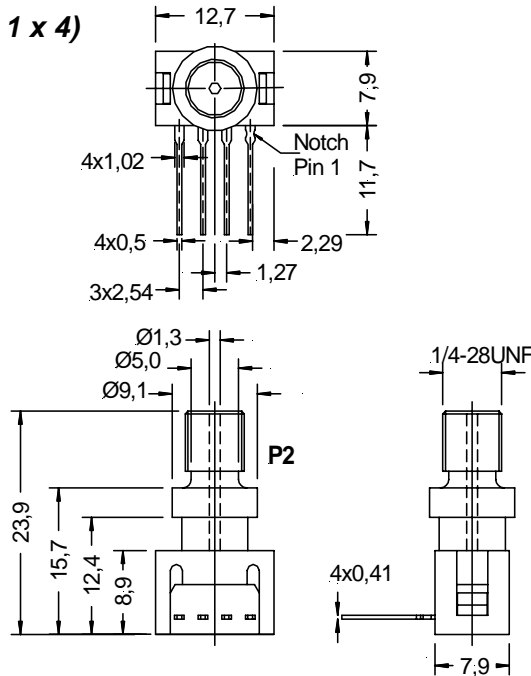


### OUTLINE DRAWINGS FOR GAGE DEVICES

#### 2xPCxxxxG6Mx

(1/4-28 UNF thread, pinning 1 x 4)

**Tightening torque<sup>3</sup>:  
Max. 135 Ncm**



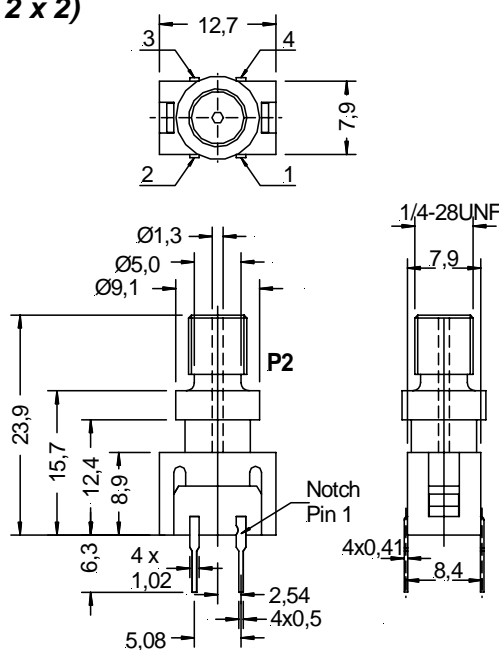
mass: 2 g

dimensions in mm

#### 2xPCxxxxG2Mx

(1/4-28 UNF thread, pinning 2 x 2)

**Tightening torque<sup>3</sup>:  
Max. 135 Ncm**



mass: 2 g

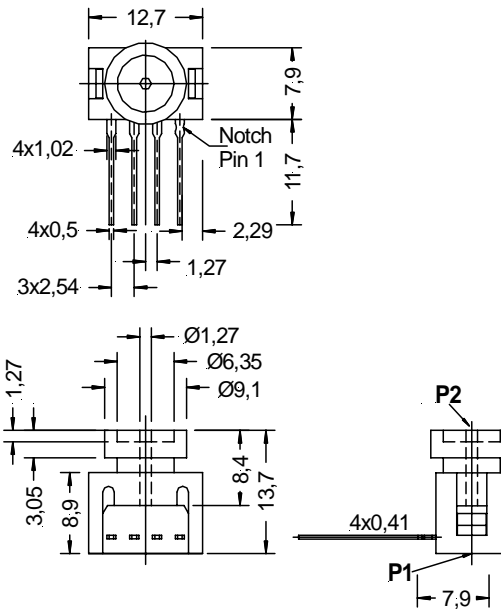
dimensions in mm

#### Specification note:

3. Recommended O-ring:  $\varnothing$  5,28 x 1,78, SH70, recommended counter bore dimensions:  $\varnothing$  9,14 x 1,78 deep

**OUTLINE DRAWINGS FOR GAGE DEVICES**

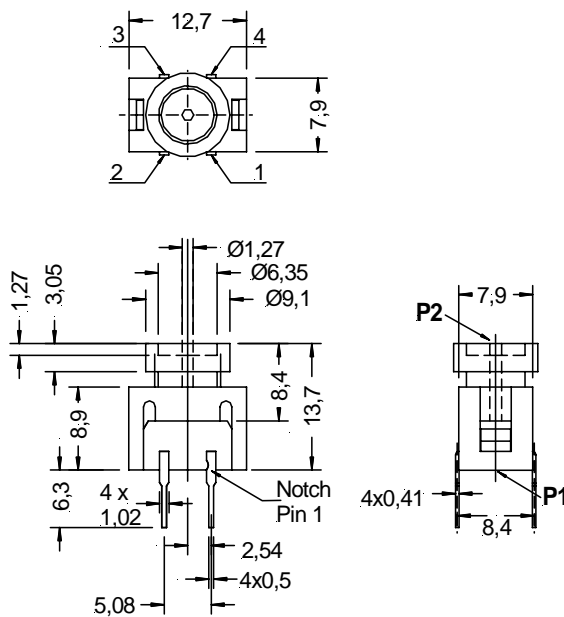
**2xPCxxxxG6Sx**  
 (Manifold, pinning 1 x 4)



mass: 2 g

dimensions in mm

**2xPCxxxxG2Sx**  
 (Manifold, pinning 2 x 2)

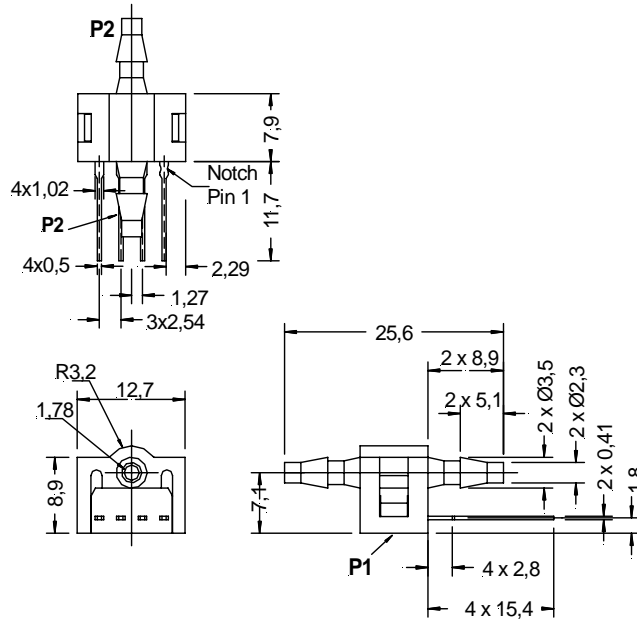


mass: 2 g

dimensions in mm

### OUTLINE DRAWINGS FOR FLOW THROUGH HOUSINGS

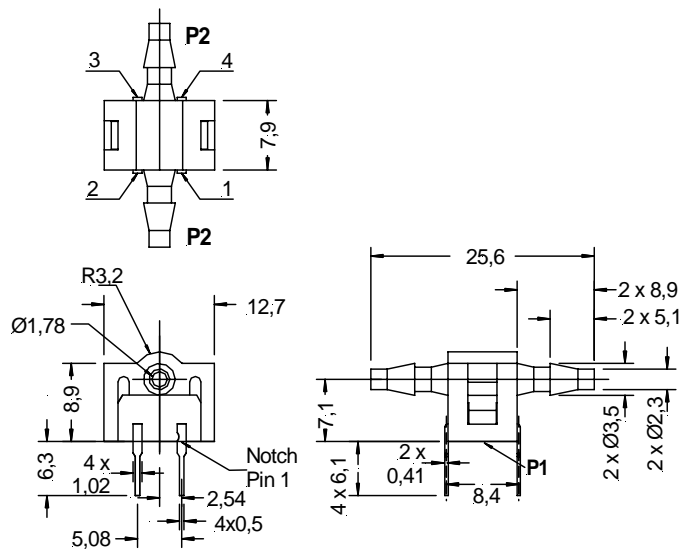
**2xPCxxxxG6Gx**  
(Barbed, pinning 1 x 4)



mass: 2 g

dimensions in mm

**2xPCxxxxG2Gx**  
(Barbed, pinning 2 x 2)



mass: 2 g

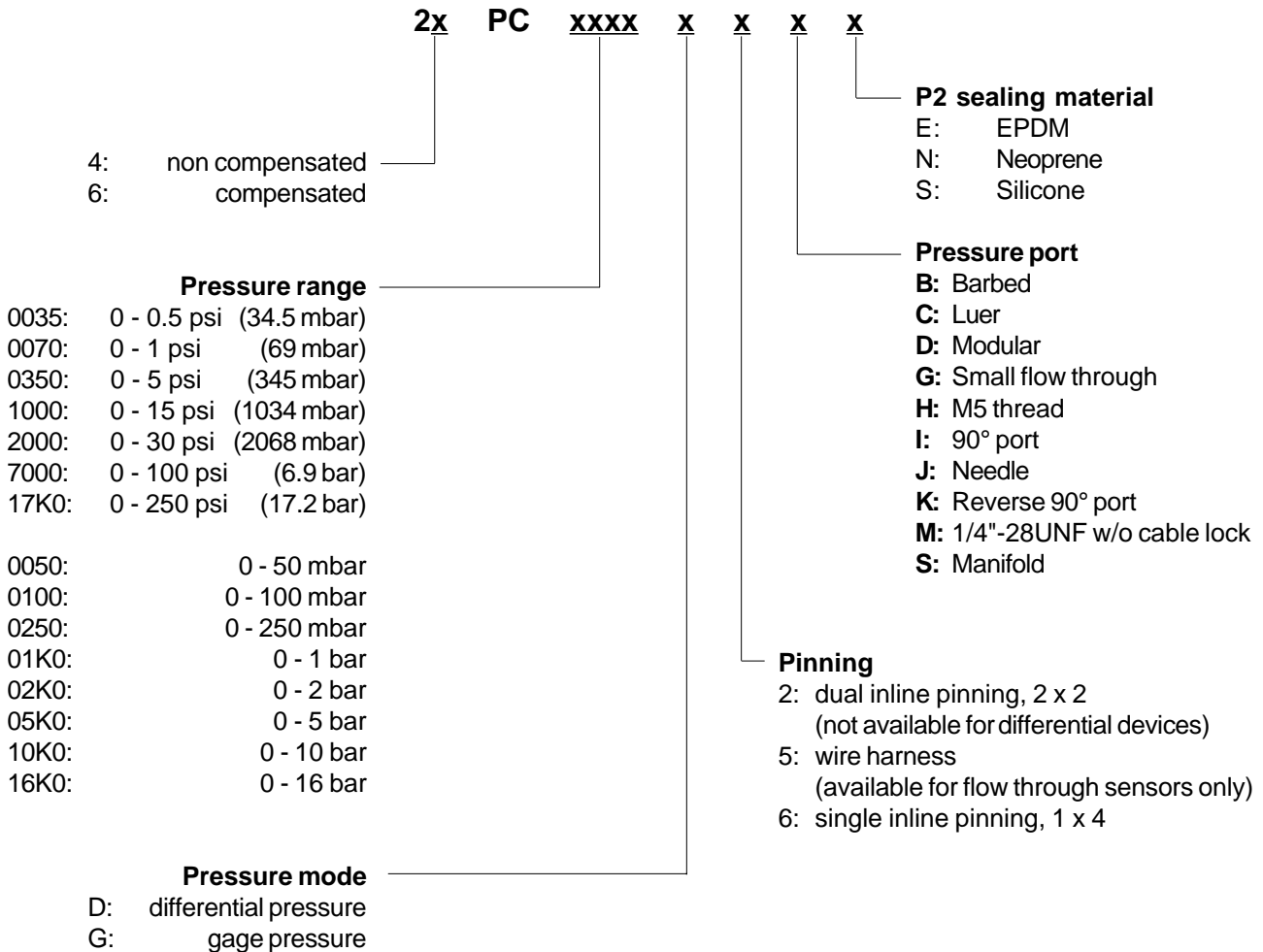
dimensions in mm

# 24PC/26PC Specials

## Pressure sensors with special fittings and sealings

**Honeywell**

### ORDERING INFORMATION



**Note: Not all combinations are available ex stock. Minimum order quantities might be required. Please contact your nearest Sensortech sales representative for further information.**

Sensortech reserves the right to make changes to any products herein. Sensortech does not assume any liability arising out of the application or use of any product or circuit described herein, neither does it convey any license under its patent rights nor the rights of others.