

10/100 BASE PULSE TRANSFORMER FOR PCMCIA

462 Boston St - Topsfield, MA 01983 - Phone: 978-887-8050 - Fax: 978-887-5434

- Half port and single port designs for maximum layout flexibility
- Low profile packages from 0.09 Inch(2.39MM) TO 0.078 Inch (1.98) FOR PCCARD AND CARDBUS applications
- Compatible WITH INTEL, TDK, QDI, AND ICS Transceivers
- Storage temperature range: -40°C to +125°C.



Electrical Specifications @ 25°C Operating Temperature range: 0°C to +70°C

Rise time (10-90%): 2.5nS Typ @ 100KHz/0.2V

Part Number	Turn ratio (±3%)		Insertion loss (dB Max)	Return loss (dB Min)					Cross talk (dB Min)
	RX	TX		0.3-100 MHz	0.5-30MHz	40MHz	50MHz	60 MHz	
NS0005*	1CT:1CT	1CT;1CT	-1.1	-17	-	-	-12	-10	-
NS0006	1.25CT:1CT		-1.1	-17	-	-	-12	-10	-
NS0012	1CT:1CT	2CT:1CT	-	-18	-15.5	-13.5	-	-10	-38
NS0012B	2CT:1CT		-1.1	-18	-15.5	-13.5	-	-10	-
NS0013	1CT:1CT	1CT:1CT	-1.1	-18	-15.5	-13.5	-	-10	-38
NS0014	1CT:1CT	1CT:1CT	-1.1	-18	-15.5	-13.5	-	-10	-38
NS-002	1CT:1CT	1CT:1CT	-	-	-	-	-	-	-
NS6121*	1CT:1CT	1CT:1CT	-1.1	-18	-15.5	-13.6	-	-10	-
NS8515A	1CT:1CT	1CT:1CT	-1.1	-18	-15.5	-13.5	-	-10	-38
NS90	1:1(±5%)		-	-	-	-	-	-	-

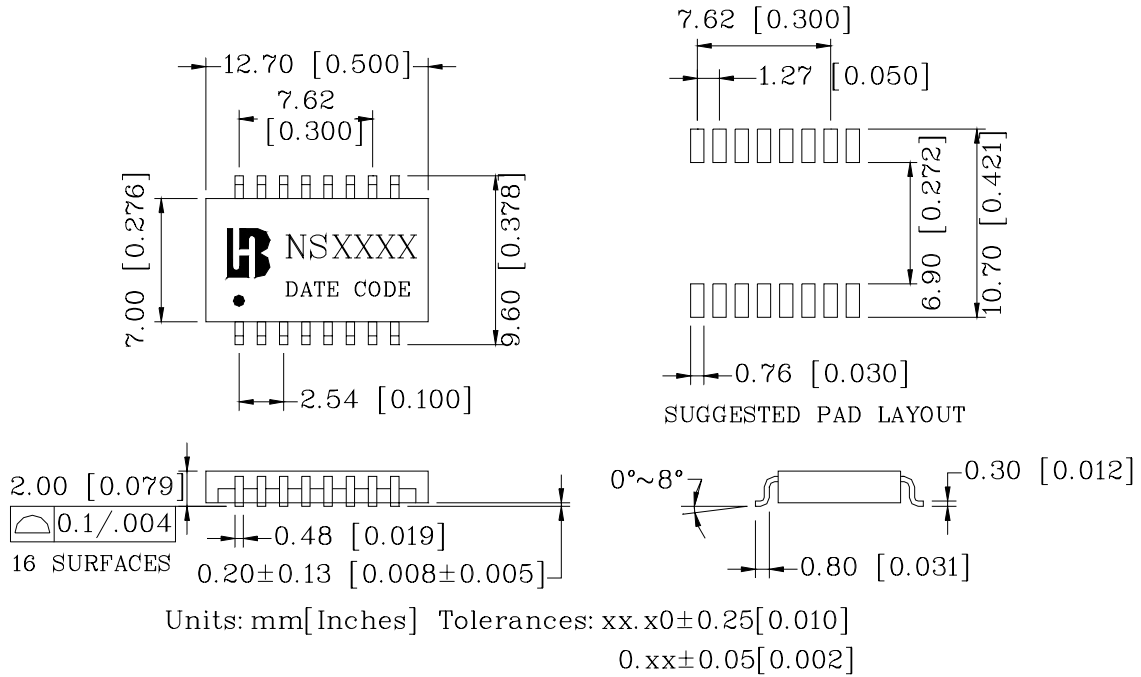
Part Number	OCL (uH Min)	L.L (uH Max)	CW/W (pF Max)	DCR (Ω Max)	HI-POT (Vrms)	CMRR (dB TYP)	Differential to common mode rejection (dB Max)			
						0.3-100MHz	30MHz	50MHz	100MHz	150MHz
NS0005*	350	0.4	15	0.9	1500	-	-30	-30	-30	-20
NS0006	-	-	-	-	1500	-	-30			
NS0012	350	0.4	15	1.0	1500	-30	-			
NS0012B	350	0.4	20	0.9	1500	-35	-			
NS0013	350	0.4	15	0.9	1500	-30	-			
NS0014	350	0.4	15	0.9	1500	-30	-			
NS-002	200	0.4	14	0.9	1500	-	-			
NS6121*	350	0.4	20	0.9	1500	-30	-			
NS8515A	350	0.4	15	-	800	-30	-			
NS90	90±20%	0.2	10	0.4	3000	-	-			

Note: "*" OCL : 100KHz/0.1Vrms with 8mA Bias

10/100 BASE PULSE TRANSFORMER FOR PCMCIA

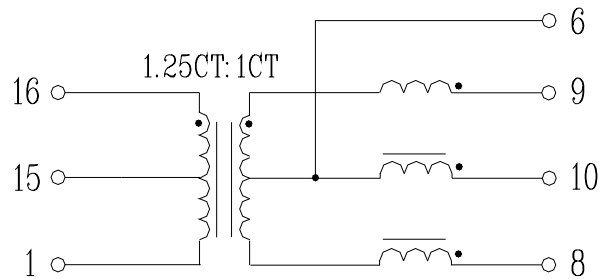
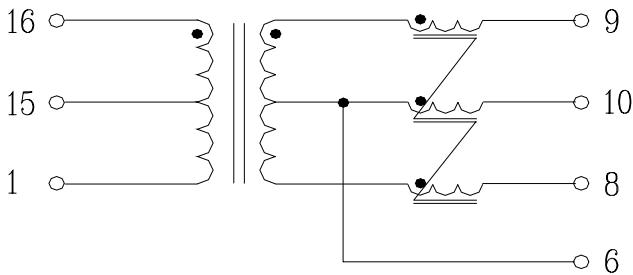
462 Boston St - Topsfield, MA 01983 - Phone: 978-887-8050 - Fax: 978-887-5434

Mechanicals

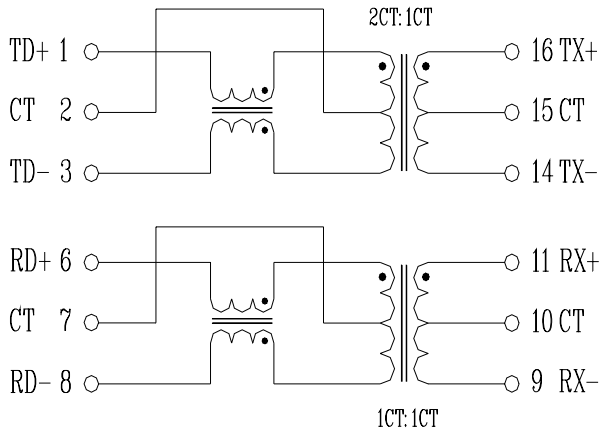


Schematics

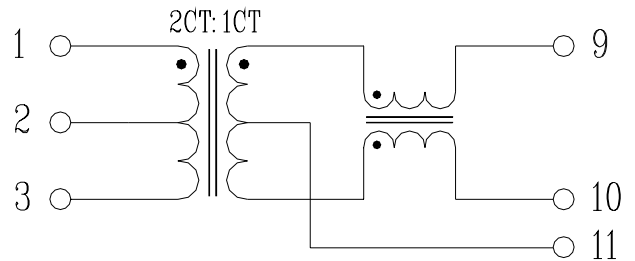
NS0006



NS0012



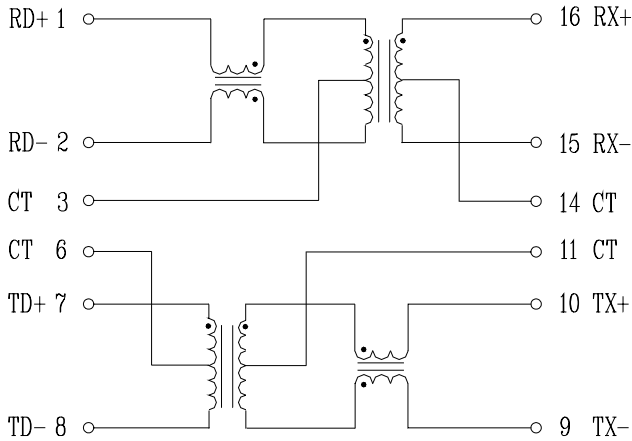
NS0012B



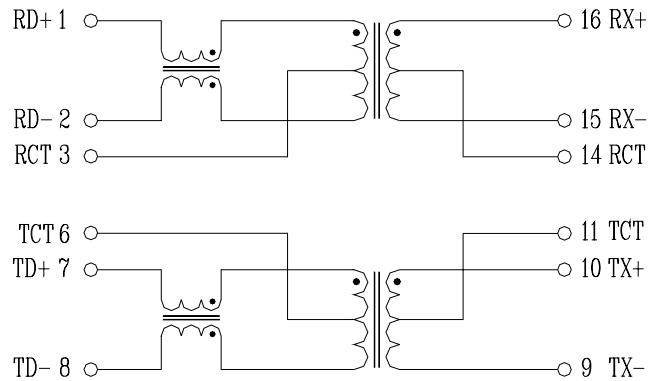
10/100 BASE PULSE TRANSFORMER FOR PCMCIA

462 Boston St - Topsfield, MA 01983 - Phone: 978-887-8050 - Fax: 978-887-5434

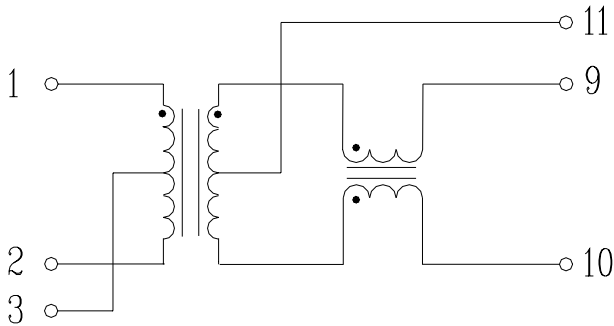
NS0013



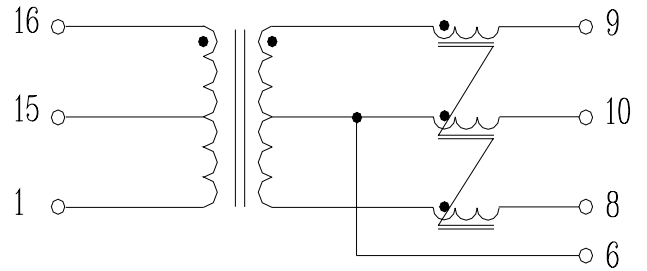
NS0014



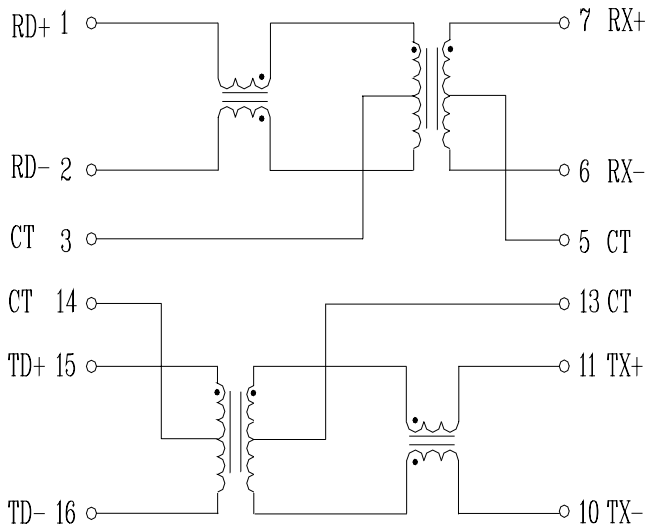
NS-002



NS6121



NS8515A



NS90

