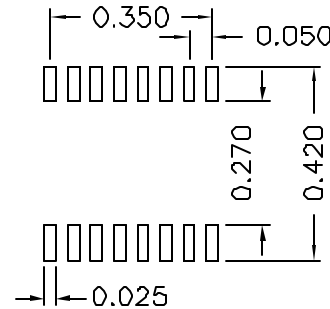
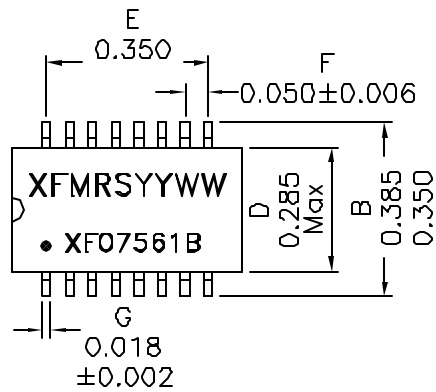
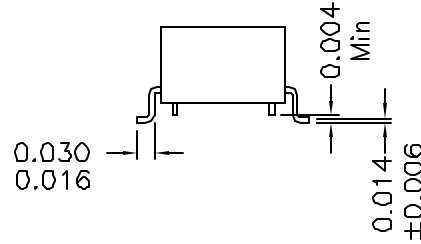
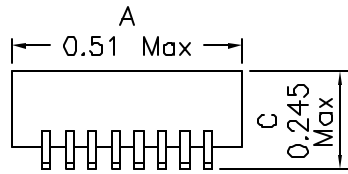
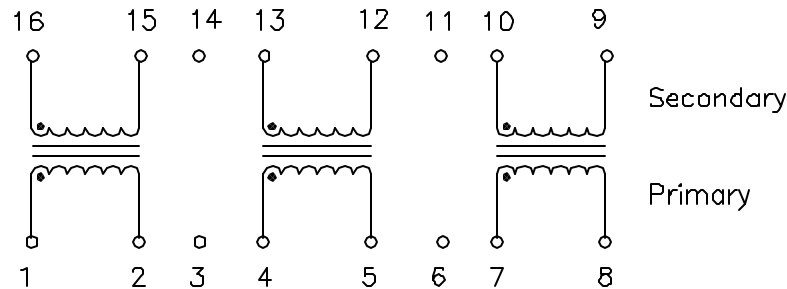


1. Mechanical Dimensions:



SUGGESTED FOOTPRINT

2. Schematic:



3. Electrical Specifications: @25°C

Isolation Voltage: 1500Vrms (PRI to SEC)

Turns Ratio: 1:1 ±2% (PRI:SEC)

Insulation Resistance: 10,000 MOhms

PRI OCL: 75uH±20% @100KHz 50mV

Q: 8 Min @10KHz 50mV

Cw/w: 7pF Max @100KHz 50mV (PRI/SEC)

PRI LL: 0.10uH Max @100KHz 50mV (SEC Shorted)

PRI DCR: 0.17 Ohms Max

Notes:

1. Solderability: Leads shall meet MIL-STD-202G, Method 208H for solderability.
2. Flammability: UL94V-0
3. ASTM oxygen index: > 28%
4. Insulation System: Class F 155°C. UL file E151556
5. Operating Temperature Range: All listed parameters are to be within tolerance from -40°C to +85°C
6. Storage Temperature Range: -55°C to +125°C
7. Aqueous wash compatible
8. SMD Lead Coplanarity: ±0.004*(0.102mm)
9. Electrical and mechanical specifications 100% tested
10. RoHS Compliant Component

XFMRS Inc www.XFMRS.com		Title: 10 BASE ISOLATION MAGNETICS	
UNLESS OTHERWISE SPECIFIED TOLERANCES: .xxx ±0.010 Dimensions in Inch SCALE 2.5:1 SHT 1 OF 1	P/N: XF07561B		REV. C
	DWN.	Xian Yi	Nov-26-08
	CHK.	YK Liao	Nov-26-08
	APP.	Joe Huff	Nov-26-08

DOC REV: C/5

PROPRIETARY

Document is the property of XFMRS Group & is not allowed to be duplicated without authorization.