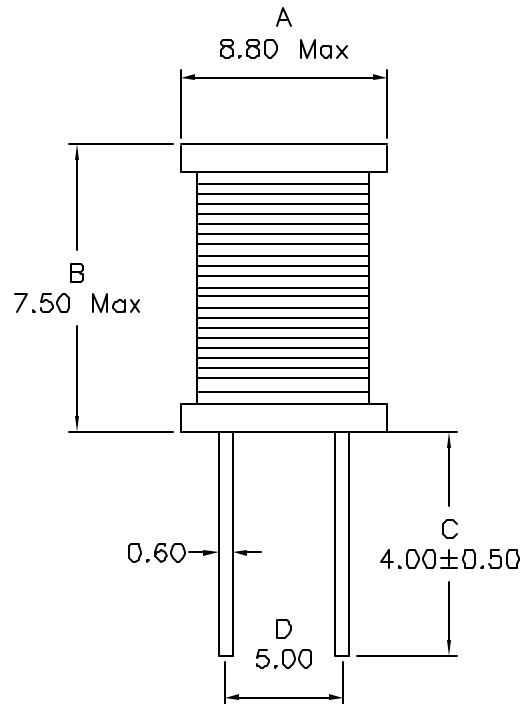
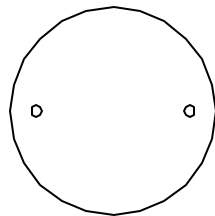


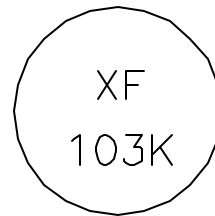
1. Mechanical Dimensions:



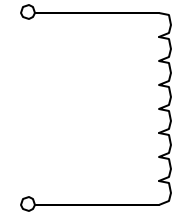
MARKING: (ON TOP)



BOTTOM VIEW



2. Schematic:



3. Electrical Specifications:

- INDUCTANCE: 10mH ± 10% @ 100KHz 0.1V
- DCR: 34 Ohms Max
- SRF: 0.7MHz Typ
- IDC: 0.10Adc (Based on 10% drop in OCL)
- Irms: 0.10A (Based on a 20°C Temp Rise)
- Irms: 0.13A (Based on a 40°C Temp Rise)

Notes:

1. Solderability: Leads shall meet MIL-STD-202, Method 208D for solderability.
2. Flammability: UL94V-0
3. ASTM oxygen index: > 28%
4. Insulation System: Class F 155°C, UL file E151556
5. Operating Temperature Range: -40°C to +85°C
6. Storage Temperature Range: -55°C to +125°C

| | | | |
|---|--------------------|--------|-----------|
| XFMRs Inc. | Title: Inductor | | |
| UNLESS OTHERWISE SPECIFIED TOLERANCES: .xx ± 0.25 Dimensions in MM | P/N: XFRL0807-103K | REV. A | |
| | DWN. | 刘 鹏 | Jun-09-04 |
| SHEET 1 OF 1 | CHK. | 李小锋 | Jun-09-04 |
| | APP. | J Ng | Jun-09-04 |

DOC REV: A/1