



P/N: 20PT1124AX DATA SHEET

Feature



- Compliant with IEEE 802.3u and ANSI X3.263 standards including 350uH OCL with 8mA Bias.
- Symmetrical TX and RX channels for Auto MDI/MDIX capability.
- Operating temperature range : 0°C to +70°C.
- Storage temperature range: -25°C to +105°C.

Electrical Specifications @ 25°C

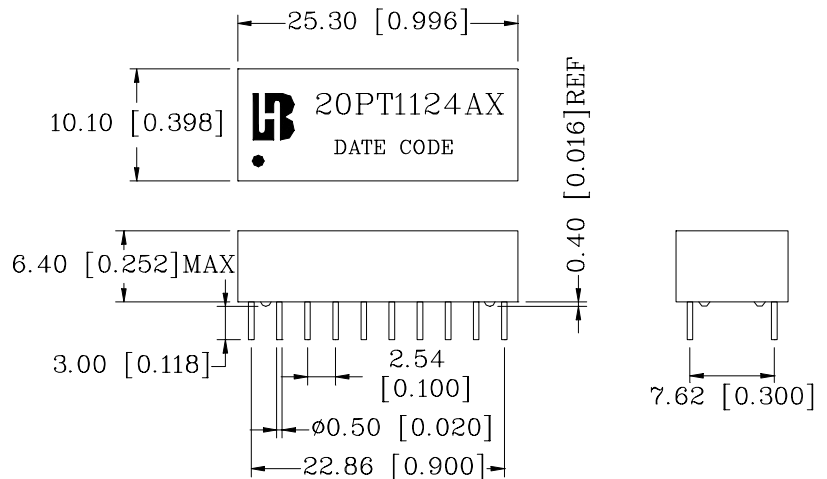
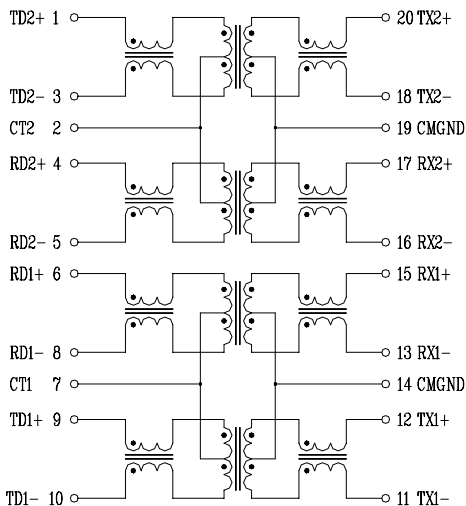
Part Number	Turns Ratio (±5%)		OCL(μH Min) @100KHz/0.1V with 8mA DC/Bias	Insertion Loss (dB Max) 1-100MHz	HI-POT (Vrms)
	TX	RX			
20PT1124AX	1CT:1CT	1CT:1CT	350	-1.0	1500

Continue

Part Number	Return Loss (dB Min)				Cross talk (dB Min) 0.3-100MHz	DCMR (dB Min) 0.3-100MHz
	2-30MHz	40MHz	50MHz	60-80MHz		
20PT1124AX	-18	-17	-14.5	-12	-35	-30

Schematic

Mechanical



Units: mm[Inches] Tolerancesxx.x0±0.25[0.010]
0.xx±0.05[0.002]