

■ General Description

The AME4620 analog switches feature low ON resistance, single-pole, double-throw (SPDT) with wide operating single power supply voltage range, from 1.8V to 5.5V.

AME4620 has 1Ω max ON resistance when +5V power supply is used. These products also have fast switching speeds, $t_{ON} = t_{OFF} = 50\text{nS}$ max.

AME4620 is available in SC-70-6.

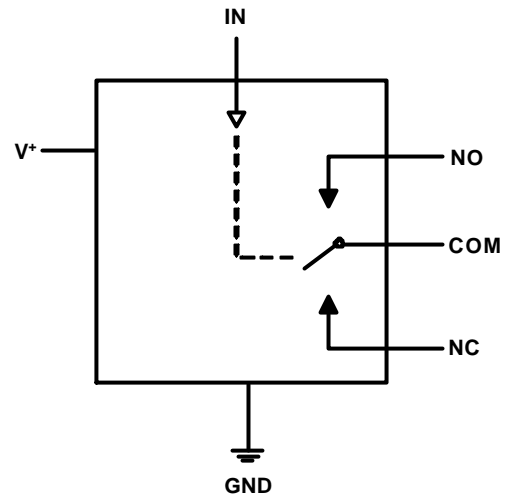
■ Features

- Low R_{ON}
- Wide Operation Supply Voltage: 1.8V to 5.5V
- Fast Switching Time: $t_{ON} = t_{OFF} = 50\text{nS}$ max.
- TTL-Logic Compatible
- Pin Compatible with FSA4157
- Over Thermal Protection
- Space saving in SC-70-6
- All AME's Lead Free Products Meet RoHS Standards

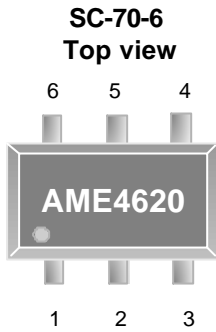
■ Applications

- Power Routing
- Battery-Operated Equipment
- Audio and Video Signal Routing
- Low-Voltage Data-Acquisition Systems
- Communications Circuits
- PCMCIA Cards
- PC Peripherals

■ Functional Block Diagram



In Logic	NC	NO
0	ON	OFF
1	OFF	ON

■ Pin Configuration

AME4620AEIY

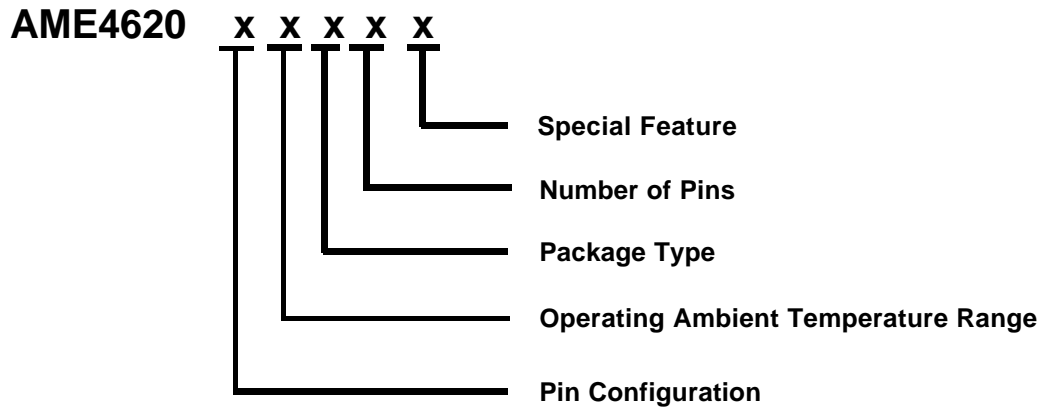
1. NO
2. GND
3. NC
4. COM
5. V+
6. IN

* Die Attach:

Conductive Epoxy

■ Pin Description

Pin Name	Pin Description
IN	Digital Control Input
V+	Positive Supply Voltage Input
GND	Ground
NC	Analog Switch-Normally Closed
COM	Analog Switch-Common
NO	Analog Switch-Normally Open

■ Ordering Information


Pin Configuration	Operating Ambient Temperature Range	Package Type	Number of Pins	Special Feature
A: 1. NO (SC-70-6) 2. GND 3. NC 4. COM 5. V+ 6. IN	E: -40°C to +85°C	I: SC-70	Y: 6	Z: Lead free

■ Ordering Information

Part Number	Marking*	Activity Mode	Package	Operating Ambient Temperature Range
AME4620AEIYZ	BCYw	Break-Before-Make	SC-70-6	- 40°C to +85°C

Note: w represents the date code and pls refer to Date Code Rule before Package Dimension.

* A line on top of the first letter represents lead free plating such as BCY.

Pls consult AME sales office or authorized Rep./Distributor for the availability of package type.

■ Absolute Maximum Ratings

Parameter	Maximum	Unit
V+ , IN	6	V
COM , NC , NO	Note 1	V
Continuous Current COM , NC , NO	300	mA
ESD Classification	B*	

Note1: Signals on COM, NC and NO can not exceed V+

Caution: Stress above the listed absolute maximum rating may cause permanent damage to the device.

* HBM B:2000V~3999V

■ Recommended Operating Conditions

Parameter	Symbol	Rating	Unit
Ambient Temperature Range	T _A	- 40 to +85	°C
Junction Temperature Range	T _J	- 40 to +125	°C
Storage temperature Range	T _{STG}	- 65 to +150	°C
IN	CMOS, TTL Logic		V
V+	1.8 to 5.5		V

■ Thermal Information

Parameter	Package	Die Attach	Symbol	Maximum	Unit
Thermal Resistance * (Junction to Case)	SC-70-6	Conductive Epoxy	θ _{JC}	224	°C / W
Thermal Resistance (Junction to Ambient)			θ _{JA}	331	
Internal Power Dissipation			P _D	300	mW
Maximum Junction Temperature				150	°C
Solder Iron (10sec)**				350	°C

* Measure θ_{JC} on center of molding compound if IC has no tab.

** MIL-STD-202G 210F

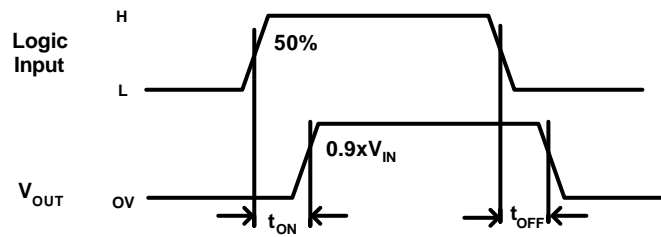
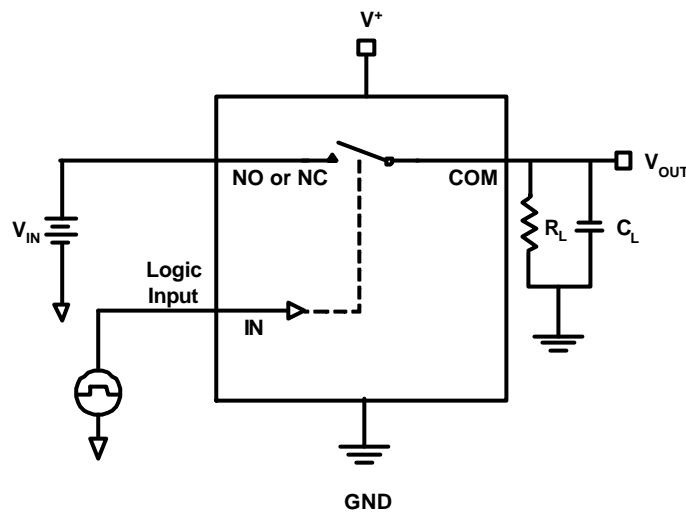
■ Electrical Specifications

$V^+ = +5V \pm 10\%$, $GND = 0V$, $IN_H = 2.4V$, $IN_L = 0.8V$, $T_A = -40^\circ C$ to $+85^\circ C$, unless otherwise noted.
Typical values are at $T_A = 25^\circ C$.

Parameter	Symbol	Test Condition	Min	Typ	Max	Units	
ANALOG SWITCH							
On-Resistance	R_{ON}	$V^+ = 4.5V$ $I_{COM} = 100mA$	$T_A = 25^\circ C$			1.0	Ω
			$T_A = -40^\circ C$ to $+85^\circ C$			1.2	
On-Resistance Match between channels	ΔR_{on}	$V^+ = 4.5V$ $I_{COM} = 100mA$ V_{NO} or $V_{NC} = 3.5V$	$T_A = 25^\circ C$			0.12	Ω
			$T_A = -40^\circ C$ to $+85^\circ C$			0.15	
On-Resistance Match Flatness	R_{FLATE}	$V^+ = 4.5V$ $I_{COM} = 100mA$ V_{NO} or $V_{NC} = 0V, 1V, 2V$	$T_A = 25^\circ C$		0.15	0.2	Ω
			$T_A = -40^\circ C$ to $+85^\circ C$			0.2	
Switch Off-Leakage Current	$I_{NO(OFF)}$	$V^+ = 5.5V$ $V_{COM} = 1V, 4.5V$ V_{NC} or $V_{NO} = 4.5V$ or $1V$	$T_A = 25^\circ C$	-0.1	0.05	0.1	μA
	$I_{NC(OFF)}$		$T_A = -40^\circ C$ to $+85^\circ C$	-1.0		1.0	
DIGITAL I/O							
Input Logic High	IN_H	$V^+ = 5.5V$		2.4			V
Input Logic Low	IN_L					0.8	
Input Current Logic High or Low	I_{IH}, I_{IL}	$V_{IN} = V^+, 0V$		-1.0		1.0	μA
SWITCH DYNAMIC CHARACTERISTICS							
Turn-On Time	t_{ON}	Figure 2	$T_A = 25^\circ C$			50	ns
			$T_A = -40^\circ C$ to $+85^\circ C$			60	
Turn-Off Time	t_{OFF}	Figure 2	$T_A = 25^\circ C$			50	ns
			$T_A = -40^\circ C$ to $+85^\circ C$			60	
Break-Before-Make Delay	t_{BBM}	Figure 2	$T_A = 25^\circ C$	1	20		ns
			$T_A = -40^\circ C$ to $+85^\circ C$	1			
Off-Isolation	OIRR	$R_L = 50\Omega, C_L = 5pF, f = 1MHz$, Figure 3			-30		dB
Crosstalk		$R_L = 50\Omega, C_L = 5pF, f = 1MHz$, Figure 4			-30		
NC or NO Off-Capacitance	C_{OFF}	$f = 1MHz$, Figure 5			38		pF
COM ON-Capacitance	$C_{COM(ON)}$	$f = 1MHz$, Figure 6			138		
-3dB Bandwidth	BW	$R_L = 50\Omega$, Figure 7			400		MHz
POWER SUPPLY							
Power Supply Range	V^+		$T_A = -40^\circ C$ to $+85^\circ C$	1.8		5.5	V
V^+ Supply Current	I^+	$V^+ = 5.5V, IN = 0V$ or V^+	$T_A = -40^\circ C$ to $+85^\circ C$			10	μA

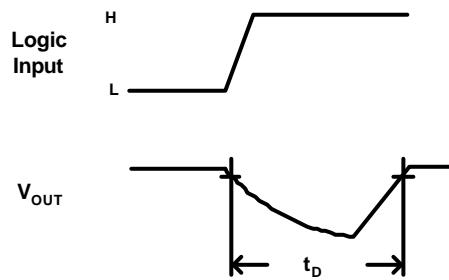
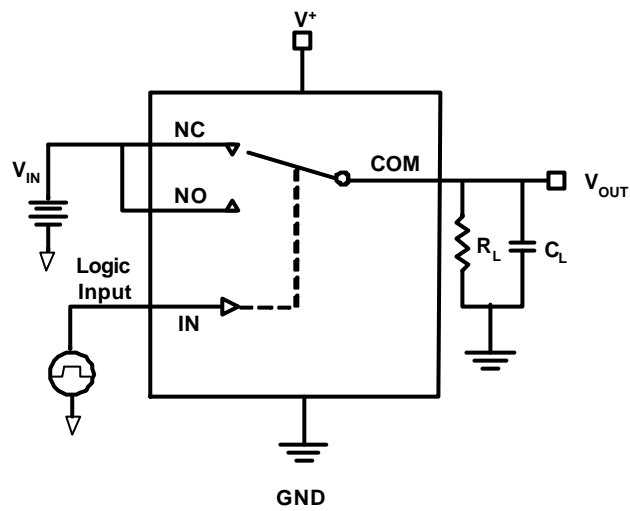
■ Timing Diagrams

**Figure 1
Switching Time**



■ Timing Diagrams

Figure 2
Break-Before-Make Interval



■ Test Circuit

Figure 3
Off-Isolation / On Channel

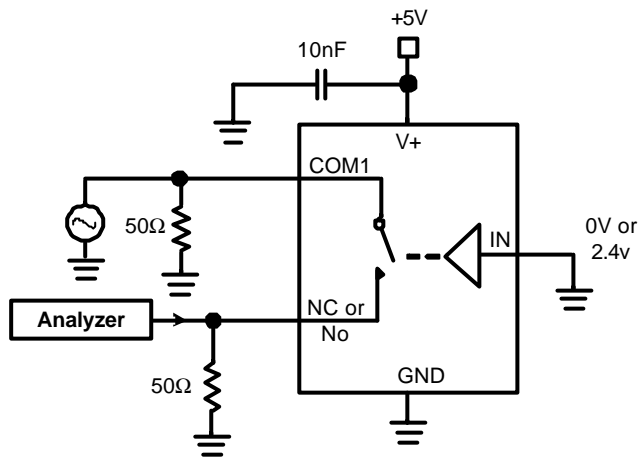
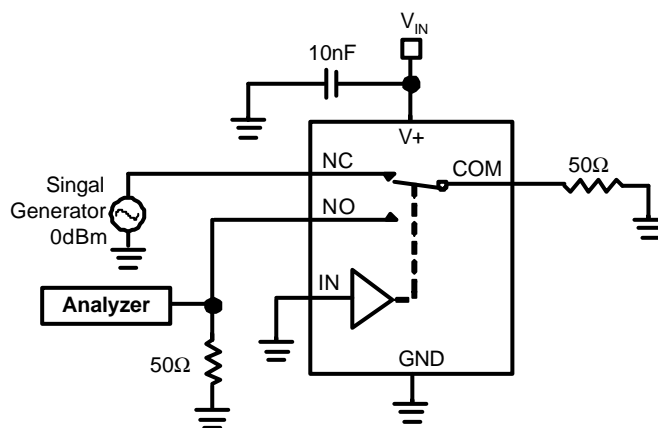
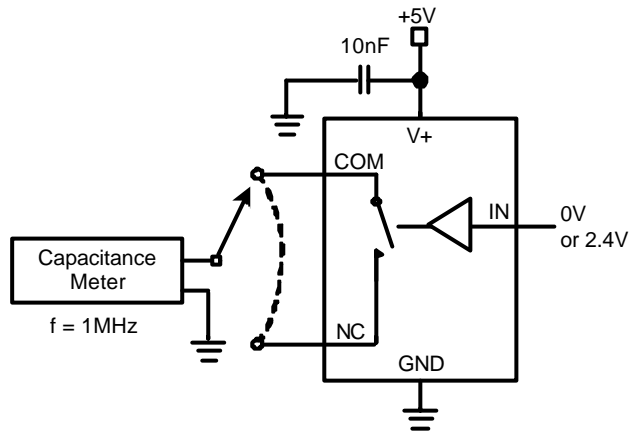


Figure 4
Crosstalk

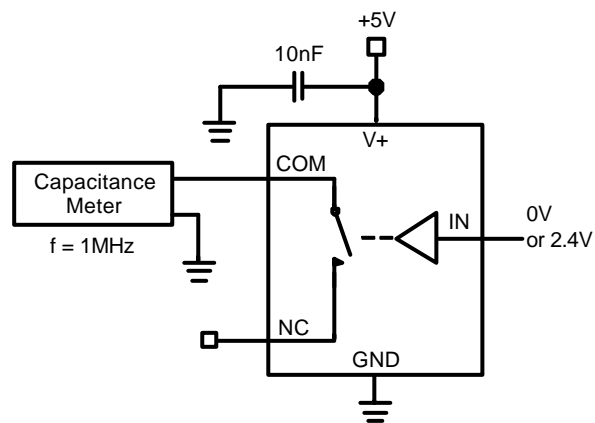


■ Test Circuit

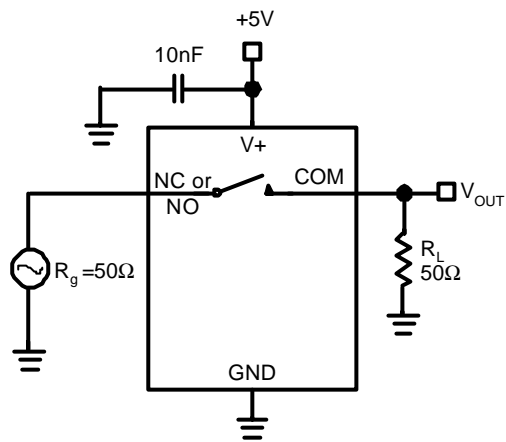
**Figure 5
NC or NO Capacitance**

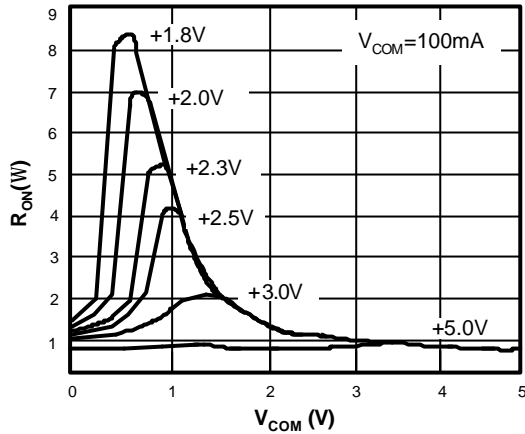
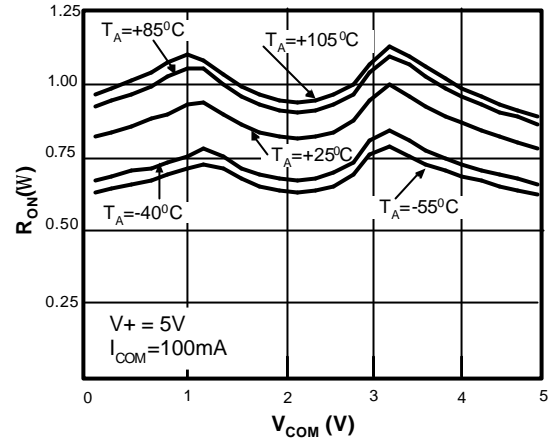
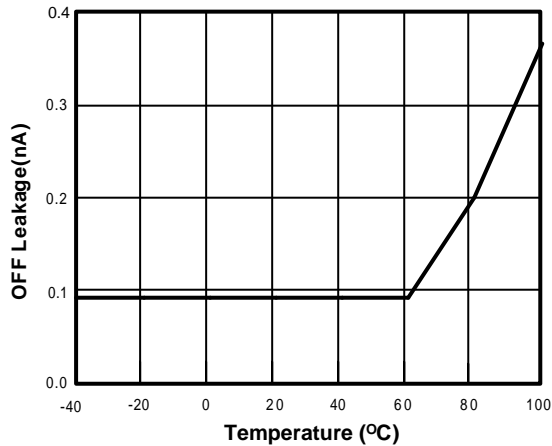
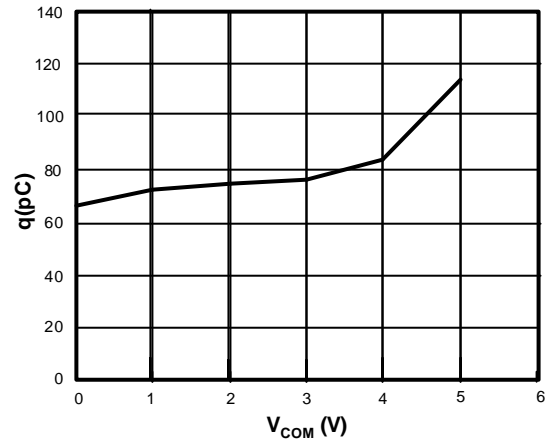
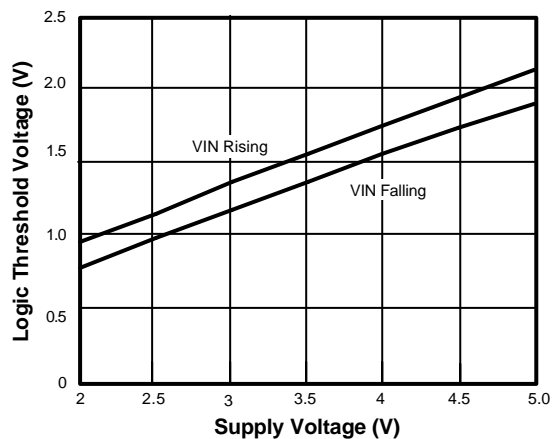
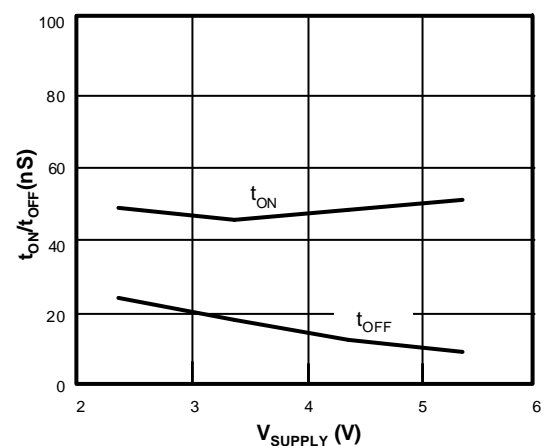


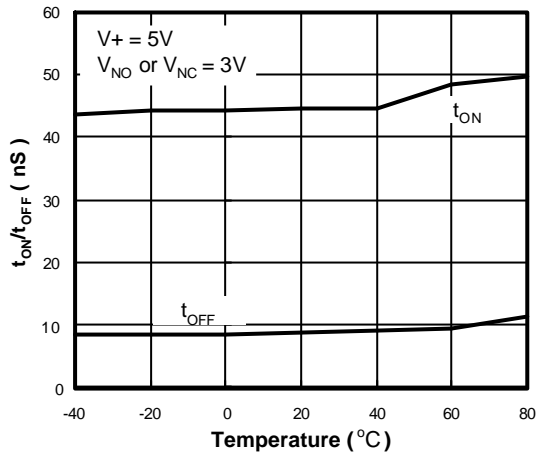
**Figure 6
COM ON Capacitance**



■ Test Circuit

Figure 7
Bandwidth

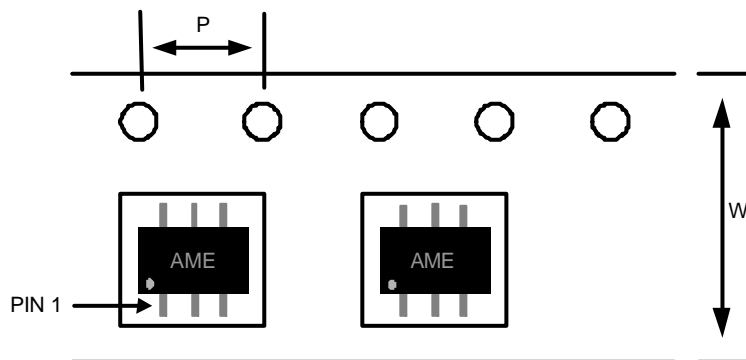
R_{on} vs. COM Voltage over Supply Voltage

R_{on} vs. COM Voltage over Temperature

OFF Leakage vs. Temperature

Charge Injection vs. COM Voltage

Logic Threshold Voltage vs. Supply Voltage

TURN-ON/OFF Times vs. Supply Voltage


TURN-ON/OFF Times vs. Temperature

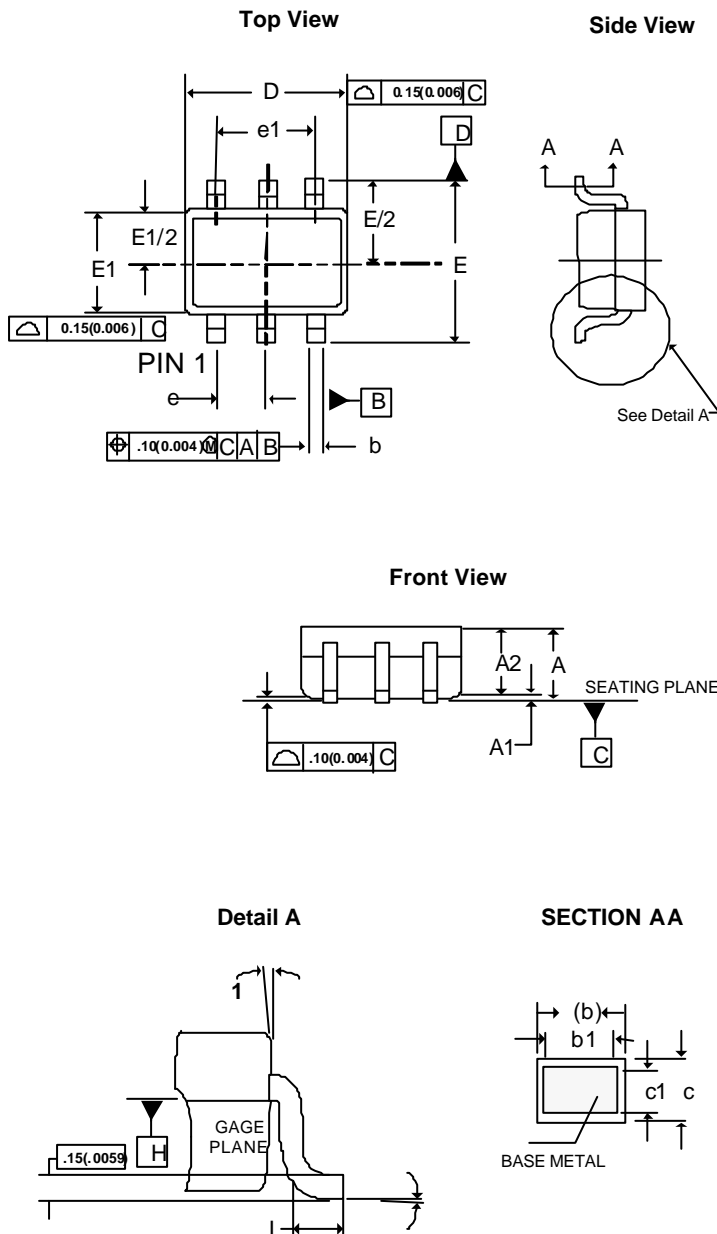
■ Date Code Rule
For SC-70 Package Only

Marking			Date Code	Year
A	A	A	W	xxx0
A	A	A	<u>W</u>	xxx1
A	A	<u>A</u>	W	xxx2
A	A	<u>A</u>	<u>W</u>	xxx3
A	<u>A</u>	A	W	xxx4
A	<u>A</u>	A	<u>W</u>	xxx5
A	<u>A</u>	<u>A</u>	W	xxx6
A	<u>A</u>	<u>A</u>	<u>W</u>	xxx7
<u>A</u>	A	A	W	xxx8
<u>A</u>	A	A	<u>W</u>	xxx9

w: Work Week Code		
A: 01&02	K: 21&22	U: 41&42
B: 03&04	L: 23&24	V: 43&44
C: 05&06	M: 25&26	W: 45&46
D: 07&08	N: 27&28	X: 47&48
E: 09&10	O: 29&30	Y: 49&50
F: 11&12	P: 31&32	Z: 51&52
G: 13&14	Q: 33&34	
H: 15&16	R: 35&36	
I: 17&18	S: 37&38	
J: 19&20	T: 39&40	

■ Tape and Reel Dimension
SC-70-6

Carrier Tape, Number of Components Per Reel and Reel Size

Package	Carrier Width (W)	Pitch (P)	Part Per Full Reel	Reel Size
SC-70-6	8.0±0.1 mm	4.0±0.1 mm	3000pcs	180±1 mm

■ Package Dimension
SC-70-6


SYMBOLS	MILLIMETERS		INCHES	
	MIN	MAX	MIN	MAX
A	0.80	1.10	0.031	0.043
A1	0.00	0.10	0.000	0.004
A2	0.80	1.00	0.031	0.039
b	0.15	0.35	0.006	0.014
b1	0.15	0.25	0.006	0.010
c	0.08	0.25	0.003	0.010
c1	0.08	0.20	0.003	0.008
D	1.90	2.20	0.075	0.087
E	2.00	2.45	0.079	0.096
E1	1.15	1.35	0.045	0.053
e	0.65BSC		0.0255BSC	
e1	1.30BSC		0.0512BSC	
L	0.26	0.46	0.010	0.018
q1	0°	8°	0°	8°
q2	4°	10°	4°	10°



www.ame.com.tw
E-Mail: sales@ame.com.tw

Life Support Policy:

These products of AME, Inc. are not authorized for use as critical components in life-support devices or systems, without the express written approval of the president of AME, Inc.

AME, Inc. reserves the right to make changes in the circuitry and specifications of its devices and advises its customers to obtain the latest version of relevant information.

© AME, Inc. , November 2008
Document: 2105-DS4620-B.05

Corporate Headquarter
AME, Inc.

2F, 302 Rui-Guang Road, Nei-Hu District
Taipei 114, Taiwan .
Tel: 886 2 2627-8687
Fax: 886 2 2659-2989