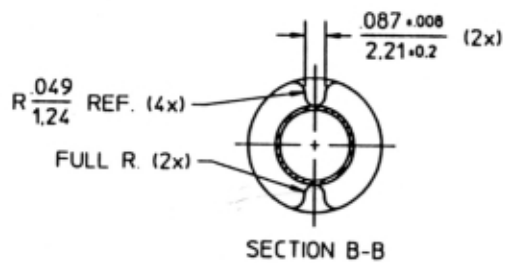
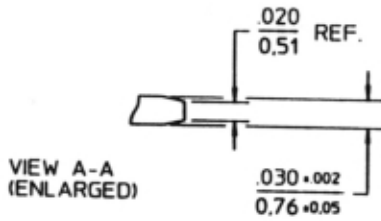
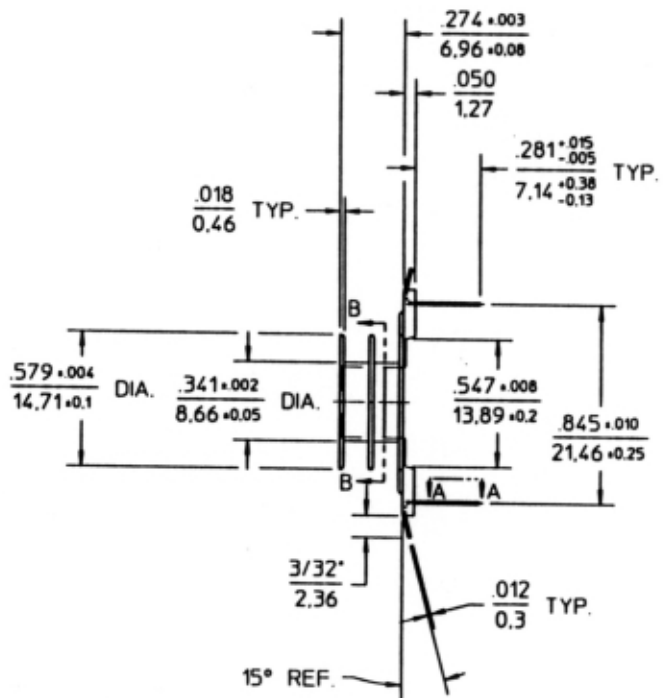
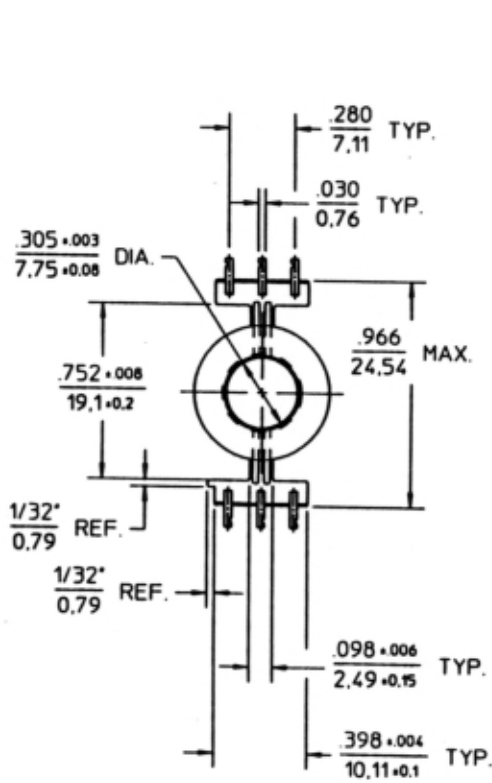


FERROXCUBE



Coil former material: Zytel FR50 (PA), glass-reinforced
 UL file number: E41938 - UL94V-0
 Pin material: 70/30 Brass, Sn plated
 Solderability: acc. to MIL-STD 202, method 208
 Mean length of turn: 1.445 inch
 Winding area: 0.013 sq inch

				01-06-01
		CPV-P18/11-2S-6PDL-Z	4335 060 26461	