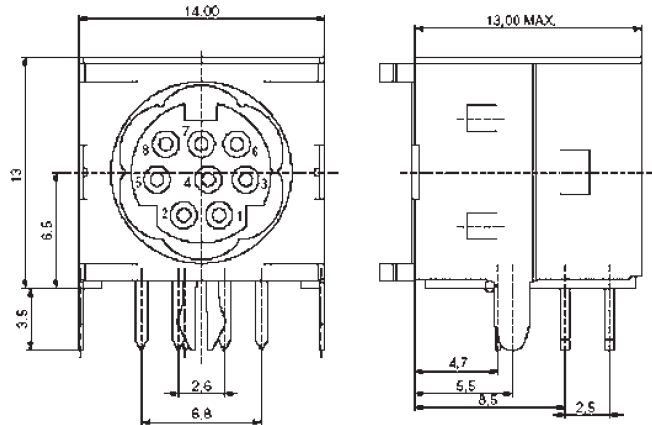


Specifications

Insulation Resistance: 50MΩ min
 Withstanding Voltage: 250V AC for 1 minute
 Contact Resistance: 30mΩ max.
 Rating:
 1A max. at 10V AC
 2A max. at 12V DC
 Operating Temp Range: -55°C to +85°C
 Mating Cycles: 1000 min. at 10-20 times per minute (no electrical load)
 Soldering Temp.: 230°C / 3 sec.

Materials and Finish

Housing: Thermoplastic
 Contact: Phosphor Bronze
 Plating: Selective Gold over Nickel



Features

- ⇒ 90° Pin Through Hole Receptacle, with shielding and 4 grounding springs
- ⇒ Selective gold plating

Contact Arrangements and PCB Layouts

