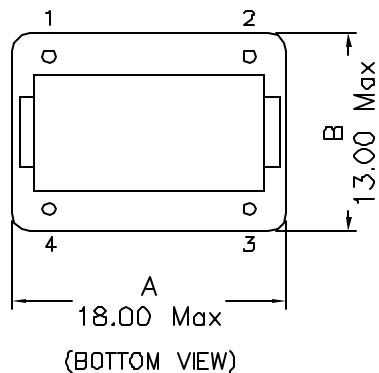
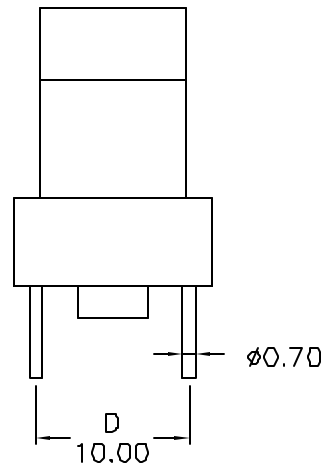
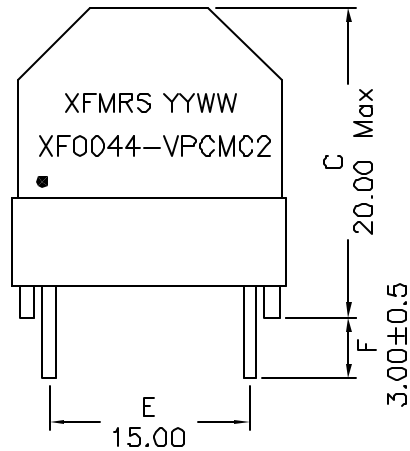


1. Mechanical Dimensions:

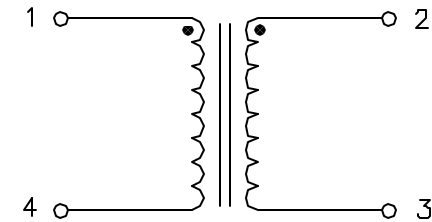


Notes:

1. Solderability: Leads shall meet MIL-STD-202, Method 208D for solderability.
2. Flammability: UL94V-0
3. ASTM oxygen index: > 28%
4. Insulation System: Class F 155°C. UL file E151556
5. Operating Temperature Range: All listed parameters are to be within tolerance from -40°C to +85°C
6. Storage Temperature Range: -55°C to +125°C
7. Aqueous wash compatible
8. SMD Lead Coplanarity: $\pm 0.004"$ (0.102mm)
9. Moisture Sensitivity: Level 2
10. Electrical and mechanical specifications 100% tested
11. RoHS Compliant Component

DOC REV: A/1

2. Schematic:



3. Electrical Specifications:

OCL: 0.4mH \pm 30% @10KHz 0.1V, Each Wdg

LL: 6.0uH Typ @10KHz 0.1V

DCR: 0.035 Ohms Typ, Each Wdg

Irated: 3.6Arms

Isolation: 1500Vac, Wdg to Wdg, 2Sec

Rated Voltage: 250Vac

XFMRS Inc www.XFMRS.com	Title: Common Mode Choke		
	UNLESS OTHERWISE SPECIFIED TOLERANCES:	P/N: XF0044-VPCMC2	REV. A
.xx \pm 0.25	DWN.	Kang Chen	Oct-18-04
Dimensions in MM	CHK.	YK Liao	Oct-18-04
SHEET 1 OF 1	APP.	J Ng	Oct-18-04