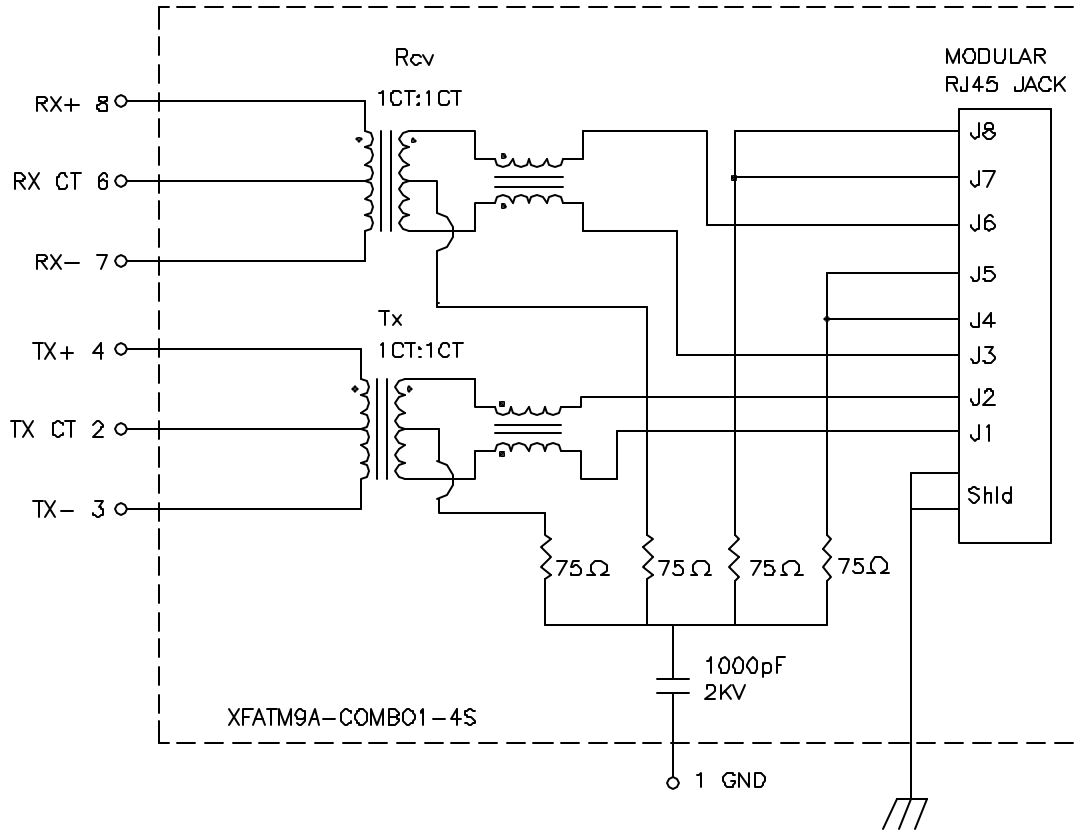


Schematic:



Electrical Specifications: @25°C

Isolation Voltage: 1500Vrms
 UTP SIDE OCL: 350uH Min @100KHz 100mV 8mADC
 Rise Time (10-90%): 2.5ns Typical
 Insertion Loss (100KHz-100MHz): -1.1dB Maximum
 Insertion Loss (100MHz-125MHz): -1.5dB Maximum
 Return Loss: -18dB Min. @30MHz
 -12dB Min. @80MHz
 Crosstalk:
 100KHz-60MHz -40dB Typical
 60MHz-100MHz -38dB Typical
 Common Mode to Differential Mode Rejection:
 100KHz-60MHz -45dB Typ (Tx) / -40dB Typ (Rx)
 60MHz-100MHz -40dB Typ (Tx) / -35dB Typ (Rx)

Notes:

1. Solderability: Leads shall meet MIL-STD-202G, Method 208H for solderability.
2. Flammability: UL94V-0
3. ASTM oxygen index: > 28%
4. Insulation System: Class F 155°C. UL file E151556
5. Operating Temperature Range: All listed parameters are to be within tolerance from -40°C to +85°C
6. Storage Temperature Range: -55°C to +125°C
7. Aqueous wash compatible
8. Electrical and mechanical specifications 100% tested
9. RoHS Compliant Component

DOC REV.: A/7

XFMRs Inc.
www.XFMRs.com

Title: **SINGLE PORT COMBO**

UNLESS OTHERWISE SPECIFIED
TOLERANCES:
.xxx ±0.010
Dimensions in Inch

P/N: XFATM9A-COMBO1-4S

REV. A

DWN.

廖玉坤

Mar-10-06

CHK.

李清儿

Mar-10-06

APP.

BW

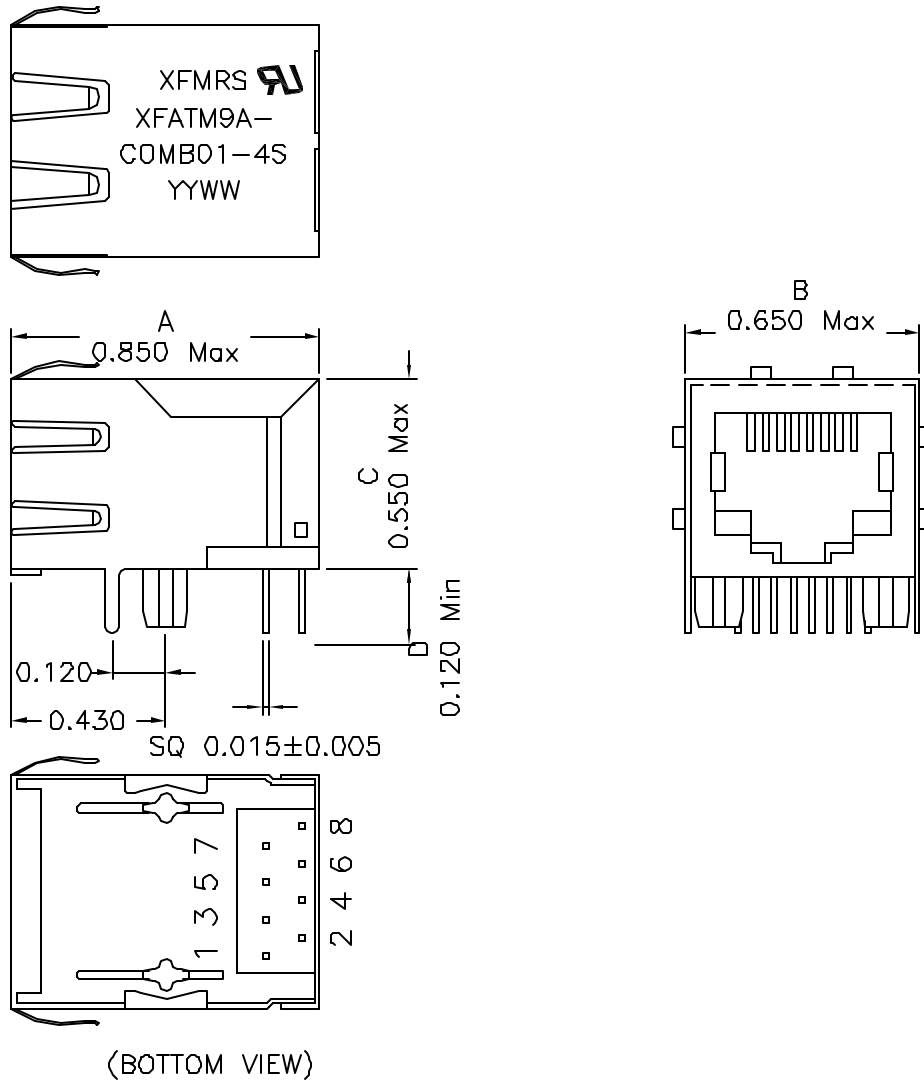
Mar-10-06

SHEET 1 OF 2

PROPRIETARY:

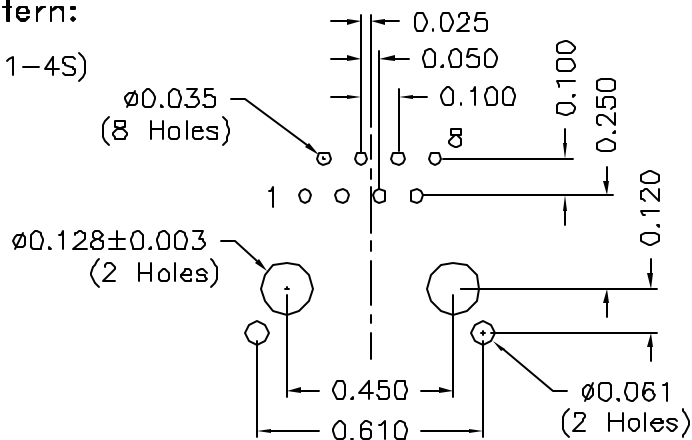
Document is the property of XFMRs Group & is not allowed to be duplicated without authorization.

Mechanical Dimensions:



Mounting Pattern:

(FOR COMBO1-4S)
(COMP SIDE)



DOC. REV: A/7

XFMRs Inc. www.XFMRs.com	Title: Mechanical Dimensions For COMBO1-4S Series		
	UNLESS OTHERWISE SPECIFIED TOLERANCES: .xxx ±0.010 Dimensions in Inch	P/N: XFATM9A-COMBO1-4S	REV. A
	DWN.	李小锋	Mar-10-06
	CHK.	康玉坤	Mar-10-06
SHEET 2 OF 2	APP.	BW	Mar-10-06

PROPRIETARY:

Document is the property of XFMRs Group & is not allowed to be duplicated without authorization.